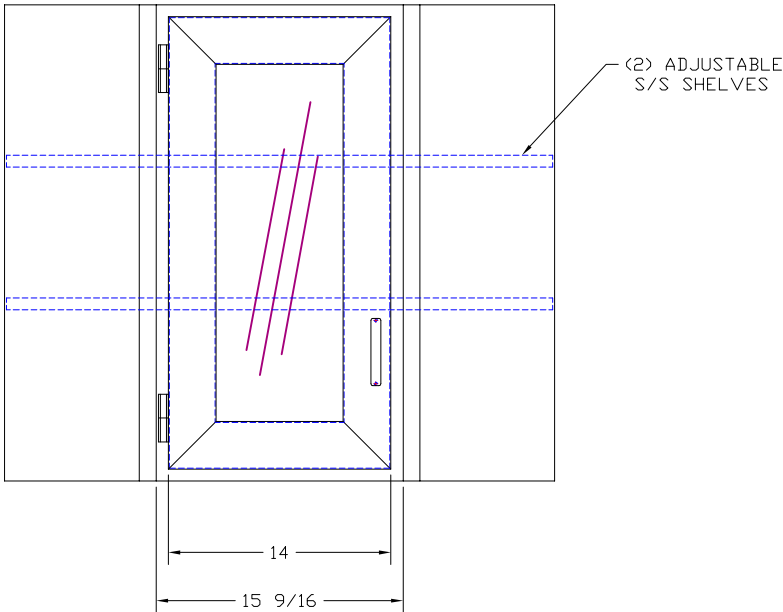


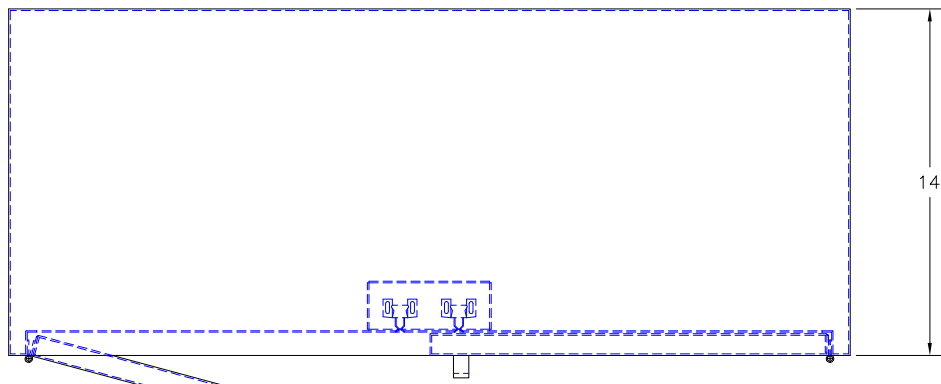
APPROVED



VIEW A-A

This print is the property of TBJ Incorporated. The information contained herein is confidential, it is not transferable. It is furnished with the clear understanding that it is not to be traced, reproduced or used in any other process of manufacturing without written permission from the owner and is returnable upon request.

		SCALE 3"=1'-0"		DRAWN BY ALE	
				DATE 11-26-96	
		CORNER CABINET - WALL UNIT			
LET	REVISION	BY	DATE	ROUGH-IN ASSY.	R96111

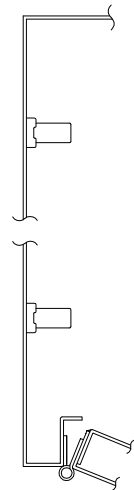
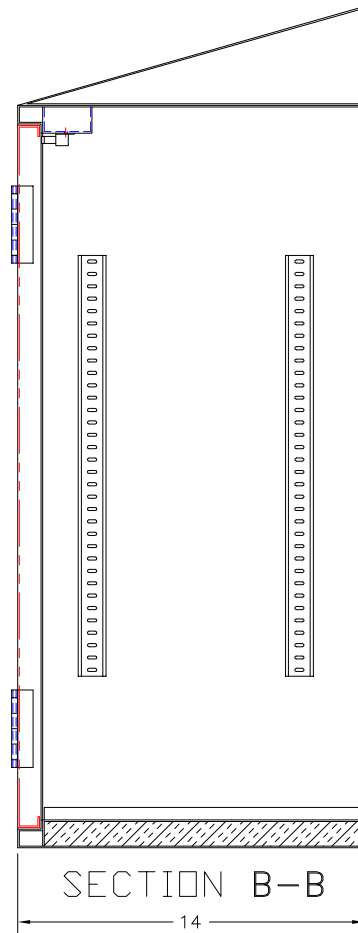
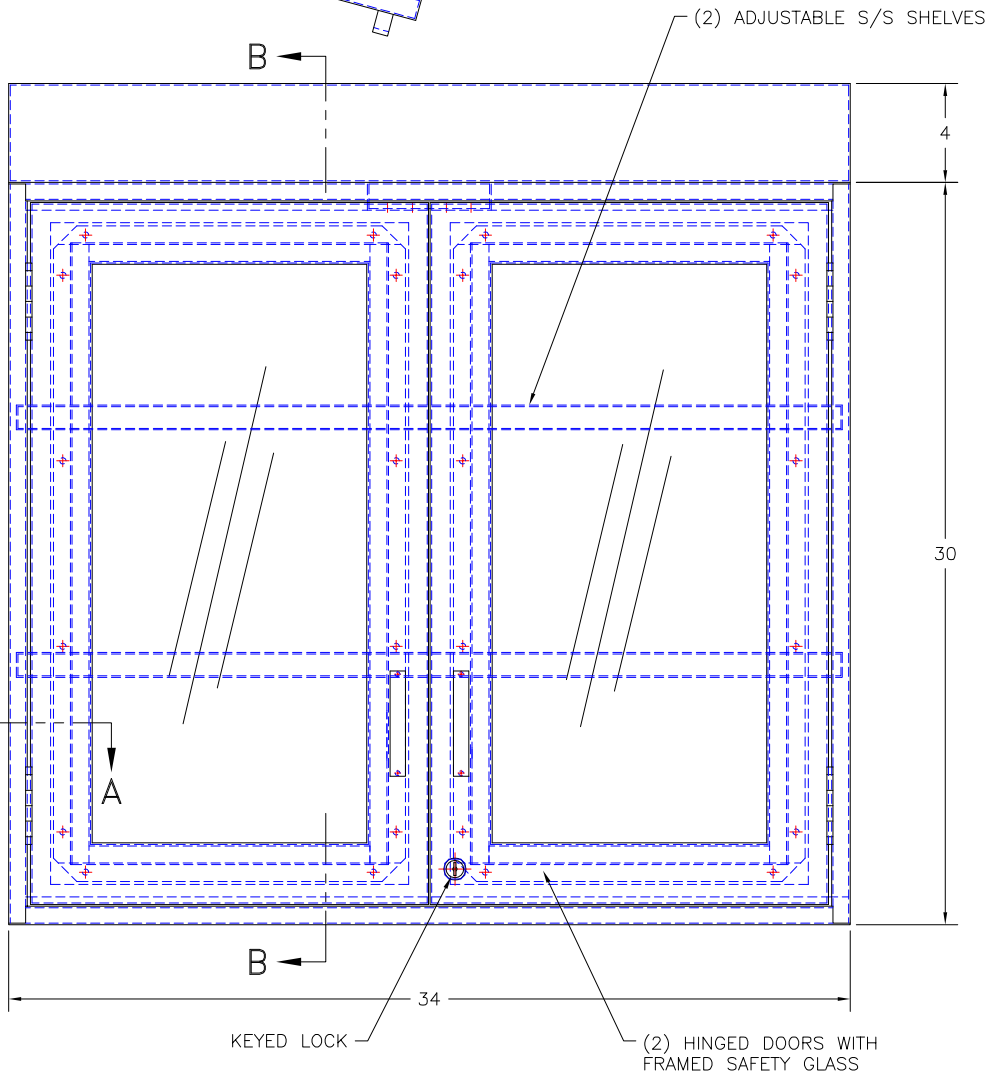


APPROVED _____

PRINT NAME: _____

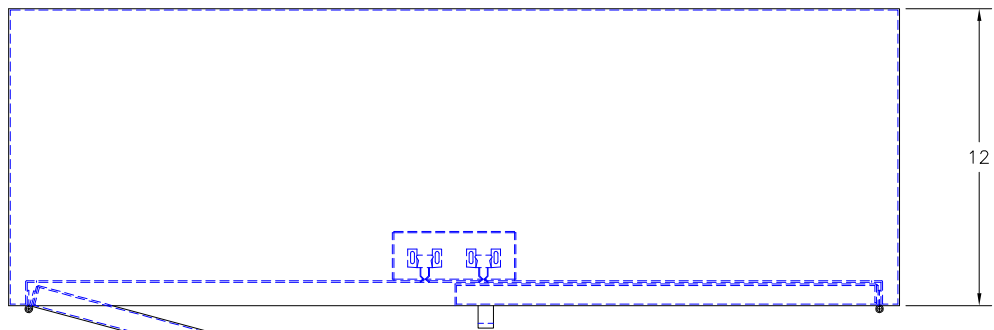
DATE: _____

SIGNATURE: _____



SECTION A-A
SCALE: 6"=1'-0"

LET	REVISION	BY	DATE
TBJ INC	1671 ORCHARD DRIVE CHAMBERSBURG, PA 17201		
SCALE 3"=1'-0"	1067-11	DRAWN BY ALE	
REF DWG - R06084		DATE 2-2-07	
14 x 34 WALL CABINET			
ROUGH-IN ASSY		R07019	

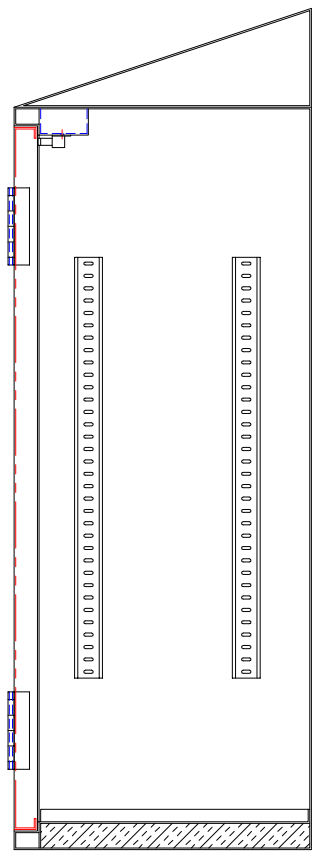
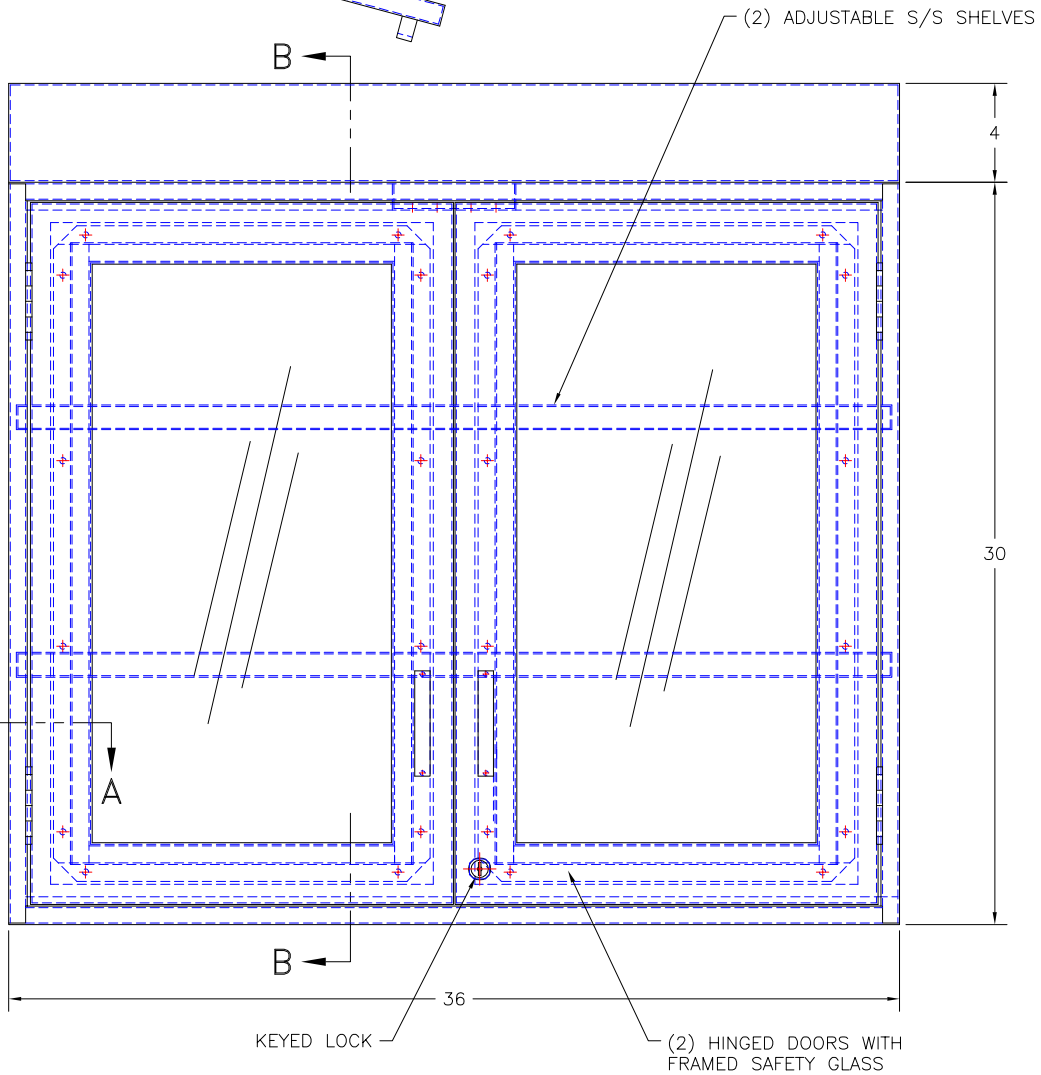


APPROVED

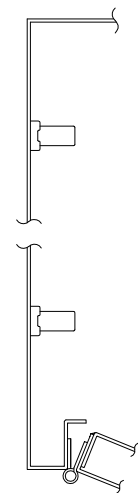
PRINT NAME: _____

DATE: _____

SIGNATURE: _____



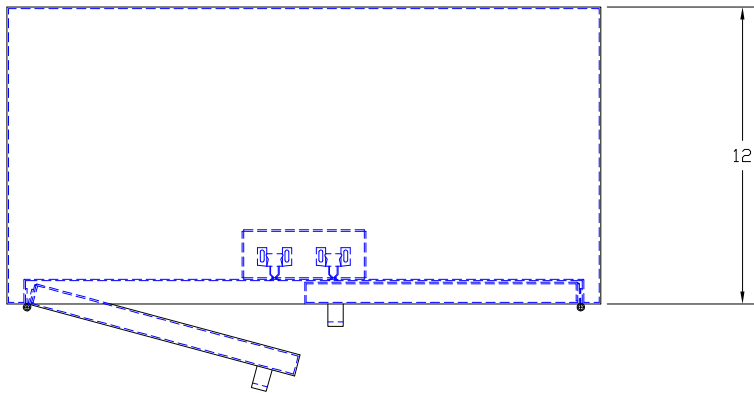
SECTION B-B



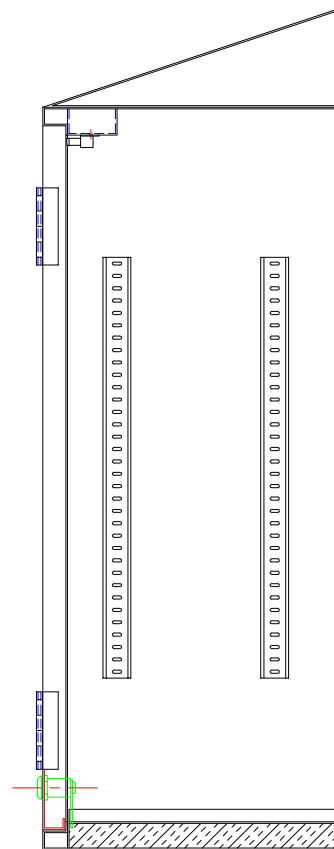
SECTION A-A
SCALE: 6"=1'-0"

LET	REVISION	BY	DATE
TBJ INC	1671 ORCHARD DRIVE CHAMBERSBURG, PA 17201		
SCALE 3"=1'-0"	1067-4	DRAWN BY	ALE
REF DWG - R02152	1067-4A	DATE	4-4-06
12 x 36 WALL CABINET			
ROUGH-IN ASSY		R06084	

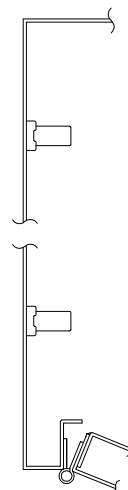
APPROVED



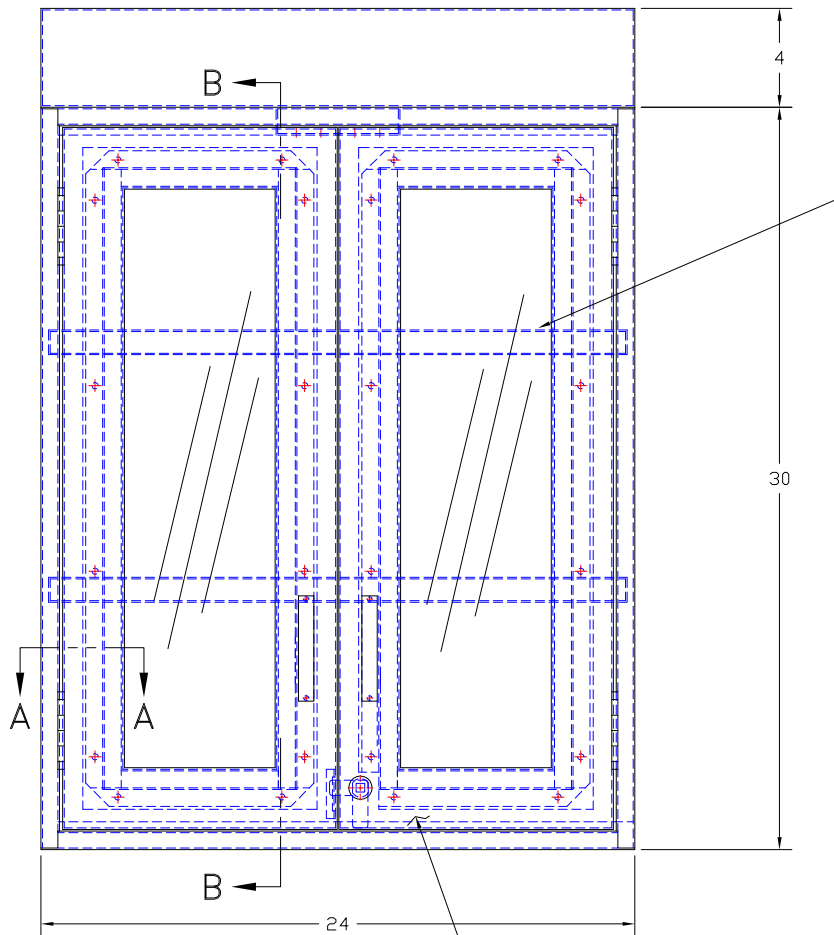
(2) ADJUSTABLE S/S SHELVES




SECTION B-B

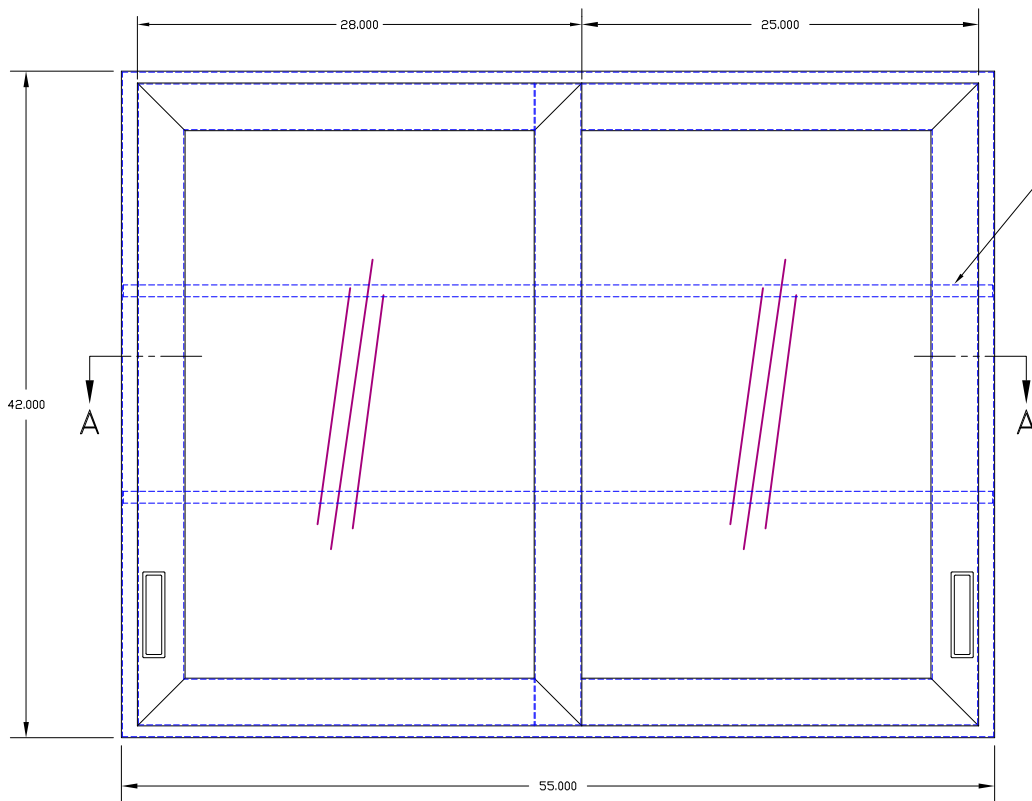
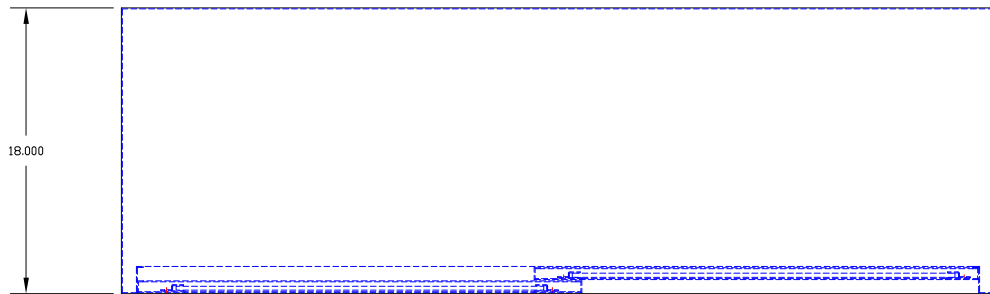


SECTION A-A
SCALE: 6"=1'-0"



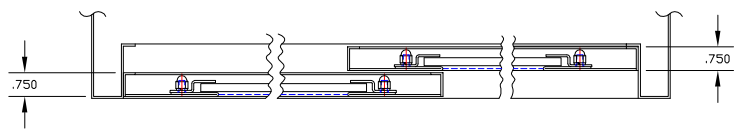
(2) HINGED DOORS WITH FRAMED SAFETY GLASS AND LOCK

LET	REVISION	BY	DATE
		1671 ORCHARD DRIVE CHAMBERSBURG, PA 17201	
SCALE 3"=1'-0"		DRAWN BY CWF	
REF DWG - C98064		DATE 8-12-02	
12 x 24 CABINET			
ROUGH-IN ASSY		R02152	



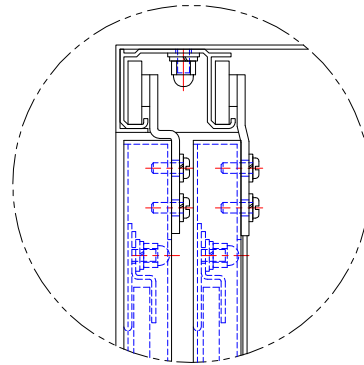
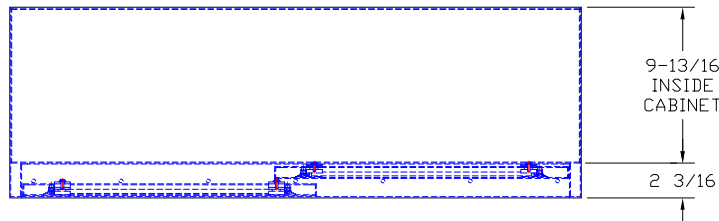
(2) ADJUSTABLE
S/S SHELVES

APPROVED



SECTION A-A

				SCALE 3"=1'-0"	DRAWN BY CWF
				REF DWG - R96115	DATE 7-31-01
				WALL CABINET - WALL UNIT ASSY	
LET	REVISION	BY	DATE	ROUGH-IN ASSY.	R01110



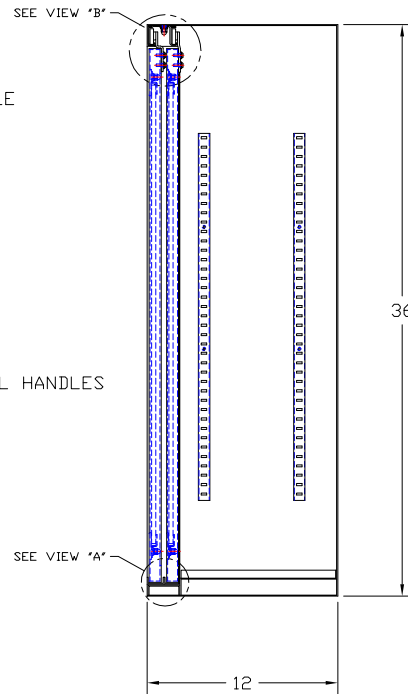
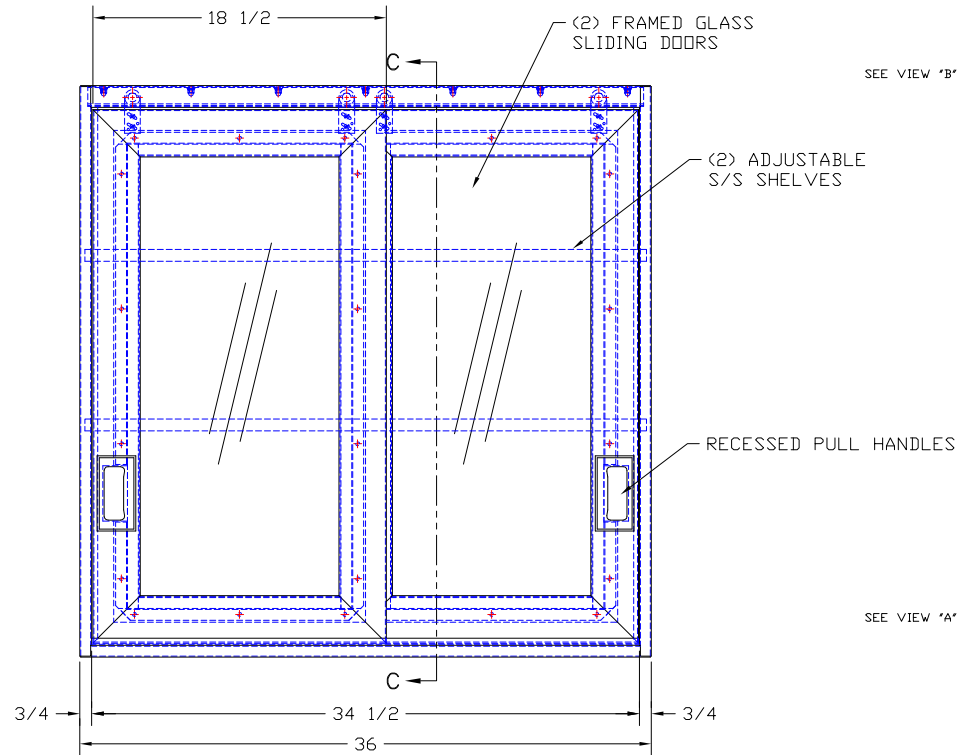
VIEW B
SCALE: FULL

APPROVED

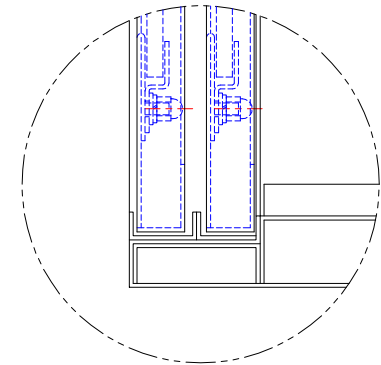
PRINT NAME: _____

DATE: _____

SIGNATURE: _____

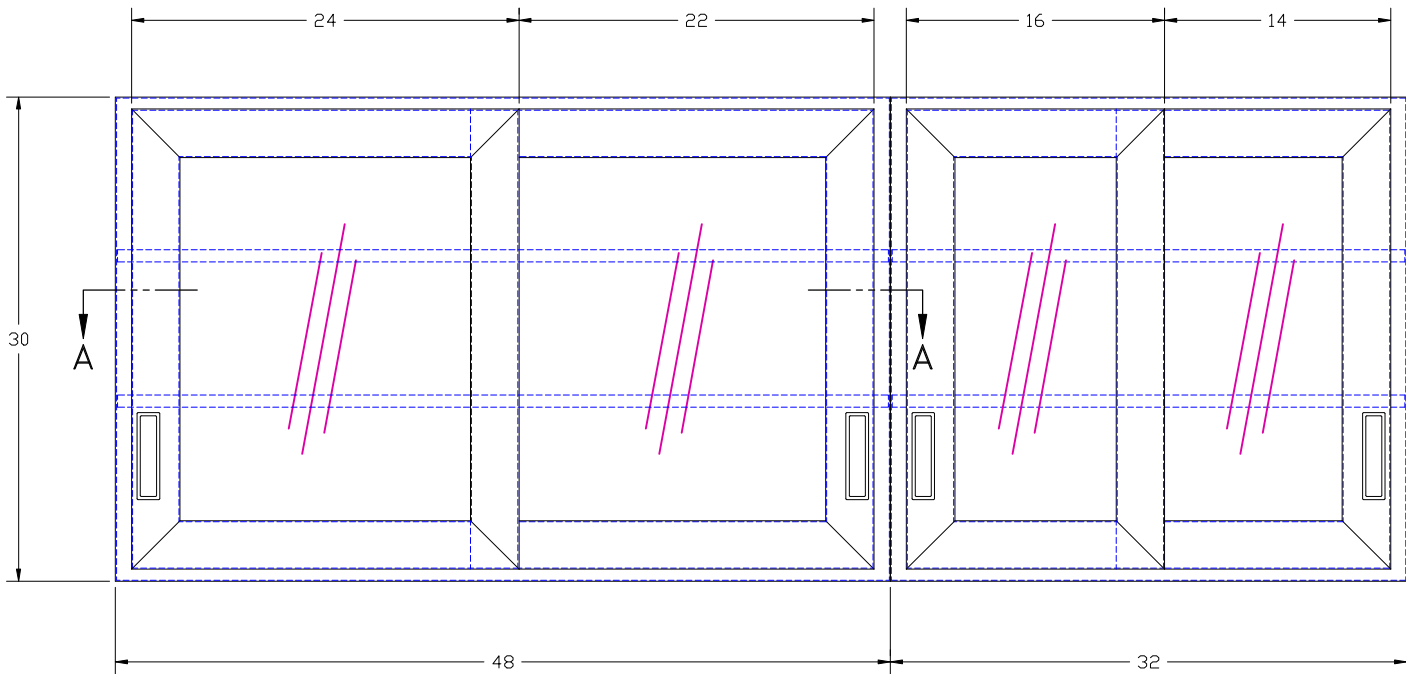
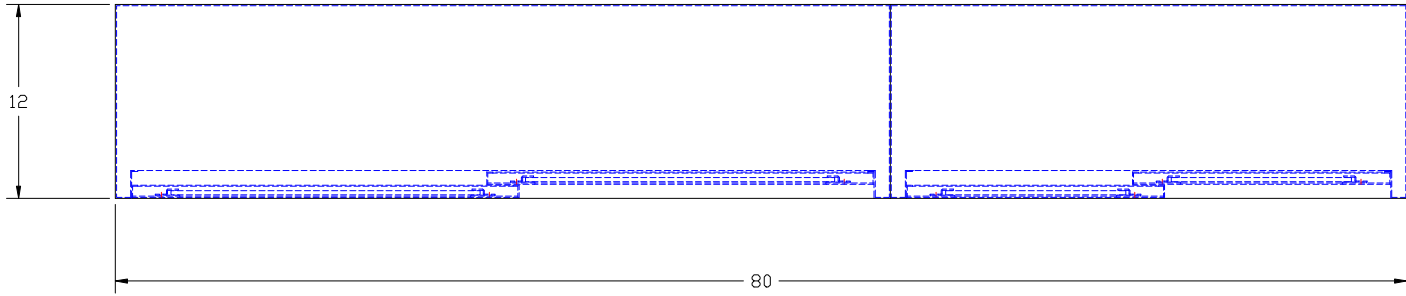


SECTION C-C

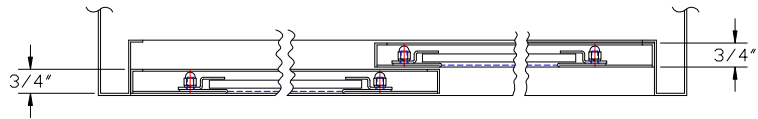


VIEW A
SCALE: FULL

N/A			
LET	REVISION	BY	DATE
TBJ INC		1671 ORCHARD DRIVE CHAMBERSBURG, PA 17201	
SCALE 3"=1'-0"	DRAWN BY ALE	DATE 3-31-97	
36" WALL CABINET ASSEMBLY			
ROUGH-IN ASSEMBLY		R00052	

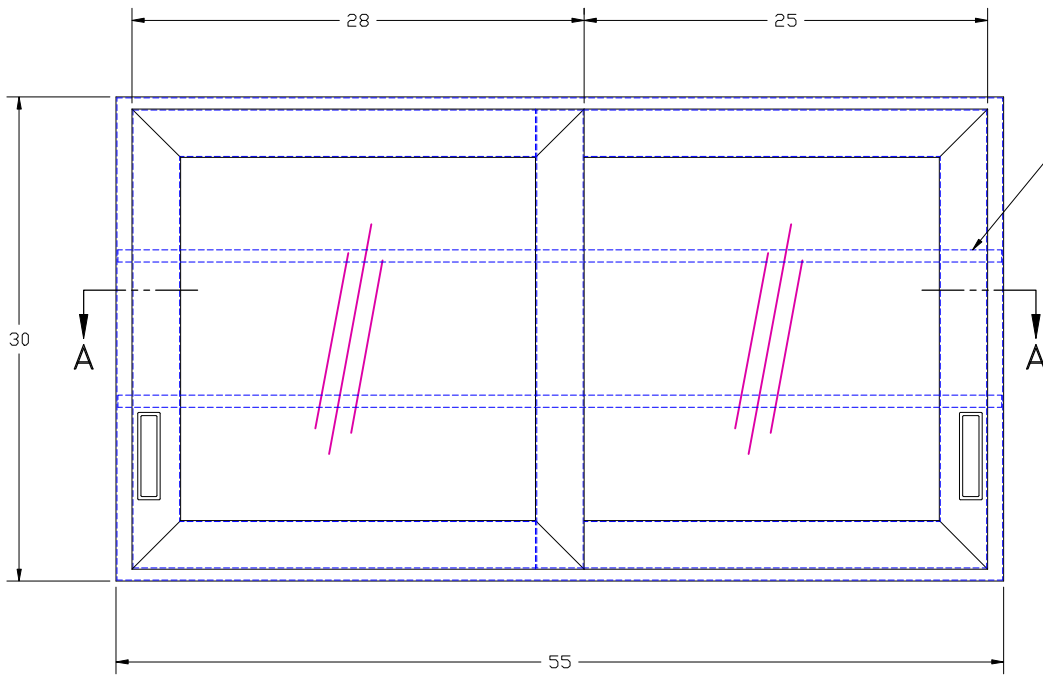
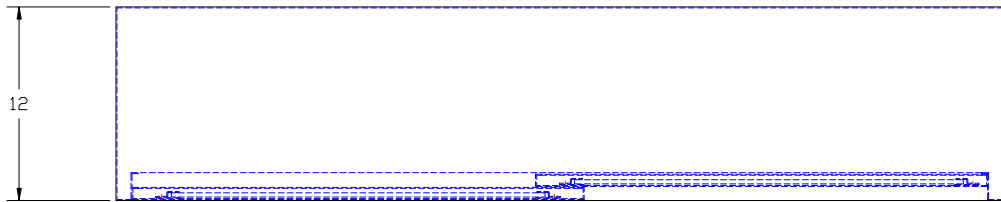


APPROVED



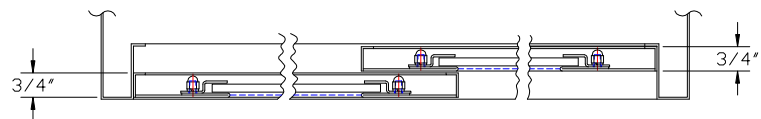
SECTION A-A

				N/A	
		SCALE 3"=1'-0"		DRAWN BY ALE	
				DATE 12-6-96	
S/S WALL UNIT ASSY - ITEM #5					
		ROUGH-IN ASSY.		R96120	
LET	REVISION	BY	DATE		



(2) ADJUSTABLE S/S SHELVES

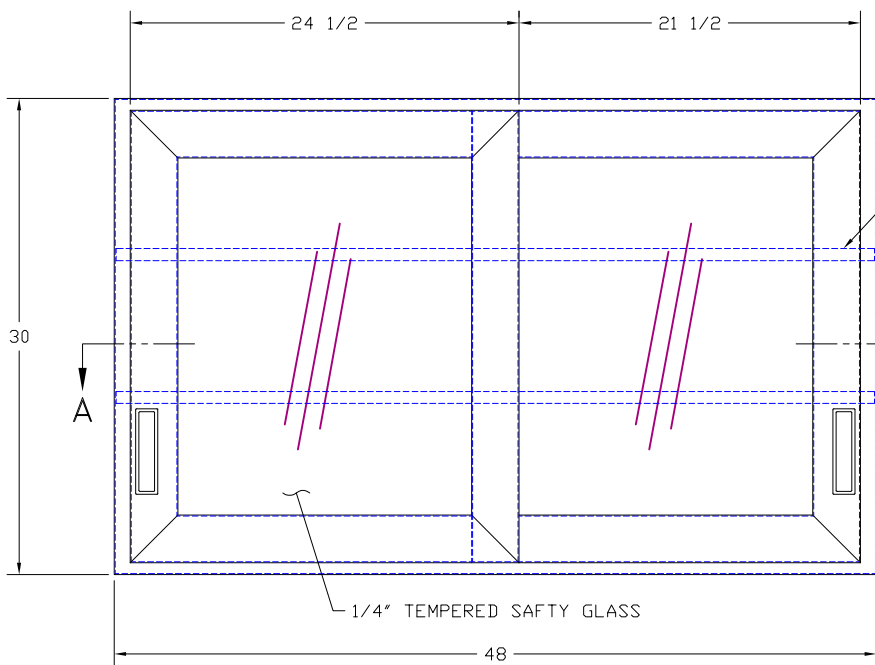
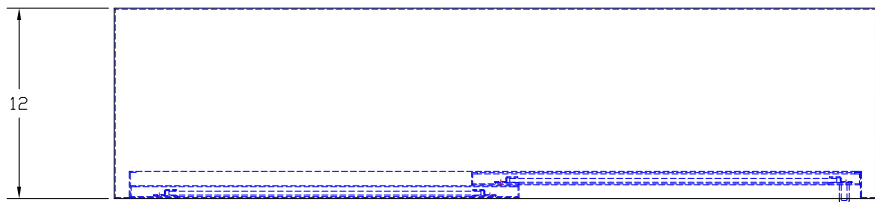
APPROVED



SECTION A-A

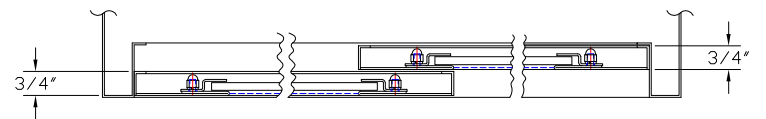
ITEM #2 "L" SHAPED S/S ASSEMBLY
ELEVATION "A"

				N/A	
				SCALE 3"=1'-0"	DRAWN BY ALE
				DATE 11-26-96	
WALL CABINET - WALL UNIT ASSY					
LET	REVISION	BY	DATE	ROUGH-IN ASSY.	R96115



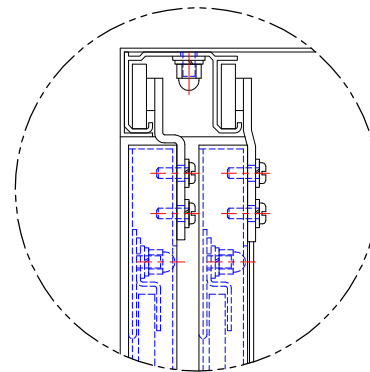
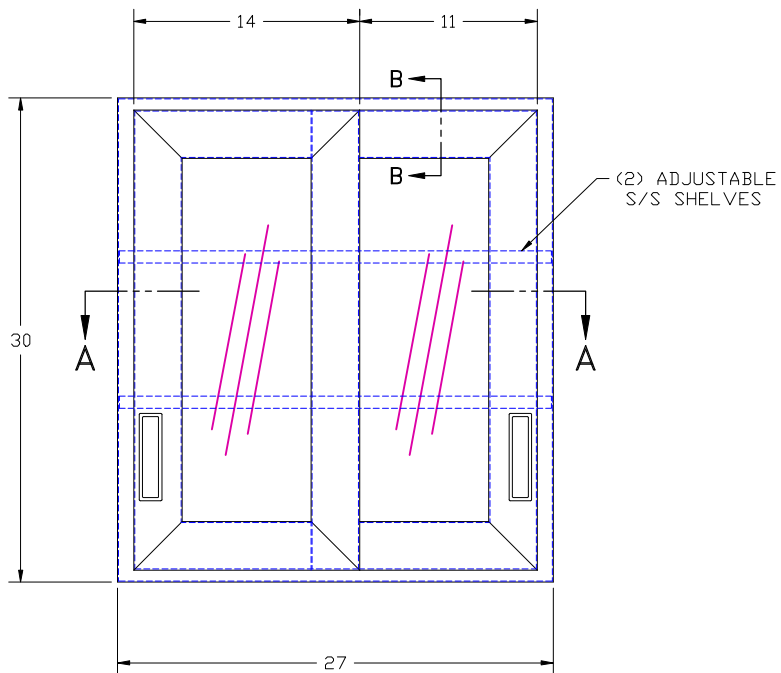
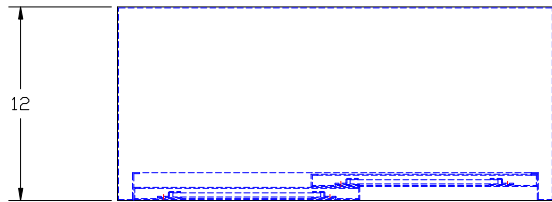
ITEM #2 "L" SHAPED S/S ASSEMBLY
ELEVATION "B"

APPROVED

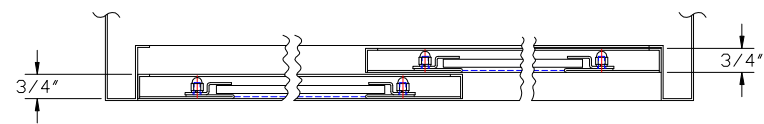


SECTION A-A

				N/A	
				SCALE 3"=1'-0"	DRAWN BY ALE
					DATE 11-26-96
				WALL CABINET - WALL UNIT ASSY	
LET	REVISION	BY	DATE	ROUGH-IN ASSY.	R96114



VIEW B

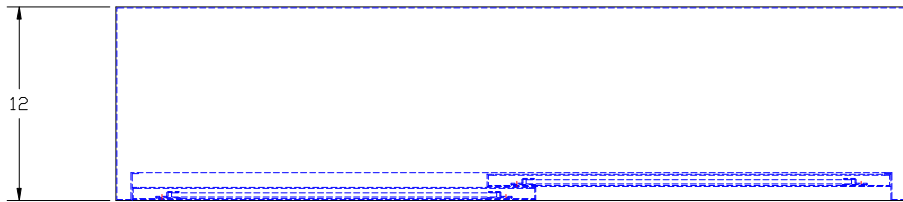


SECTION A-A

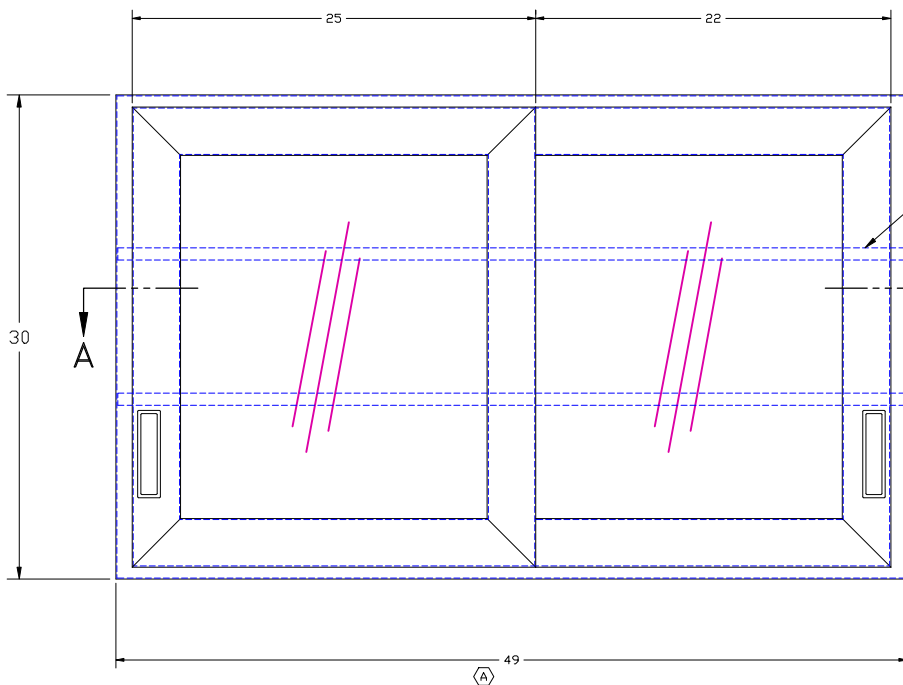
APPROVED

ITEM #1 "L" SHAPED S/S ASSEMBLY
ELEVATION "B"
(2) REQD

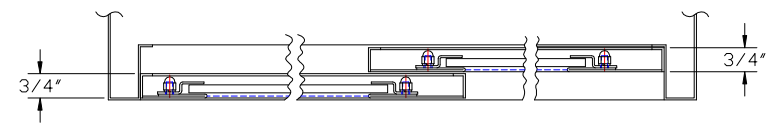
SCALE 3"=1'-0"		DRAWN BY ALE	
		DATE 11-26-96	
WALL CABINET - WALL UNIT ASSY			
LET	REVISION	BY	DATE
			ROUGH-IN ASSY. R96113



APPROVED



(2) ADJUSTABLE
S/S SHELVES



SECTION A-A

ITEM #1 "L" SHAPED S/S ASSEMBLY
ELEVATION "B"

				N/A	
				SCALE 3"=1'-0"	
				DRAWN BY ALE	
				DATE 11-26-96	
				WALL CABINET - WALL UNIT ASSY	
A	LENGTH CHANGED FROM 44' TO 49'	ALE	4-23-97		
LET	REVISION	BY	DATE	ROUGH-IN ASSY.	R96112