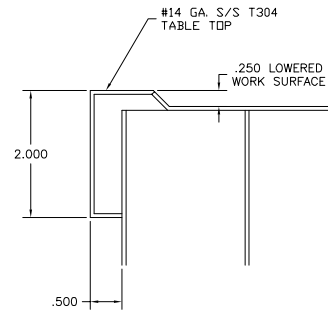


**UTILITY REQUIREMENTS**

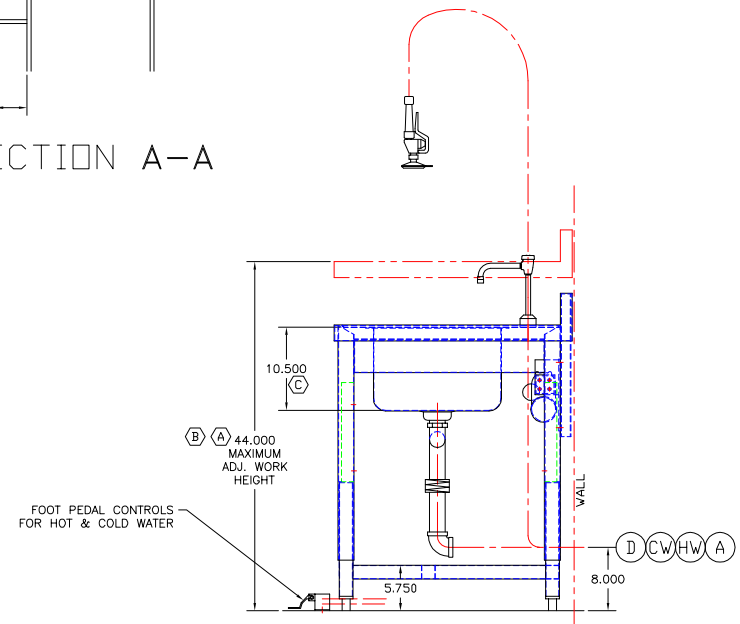
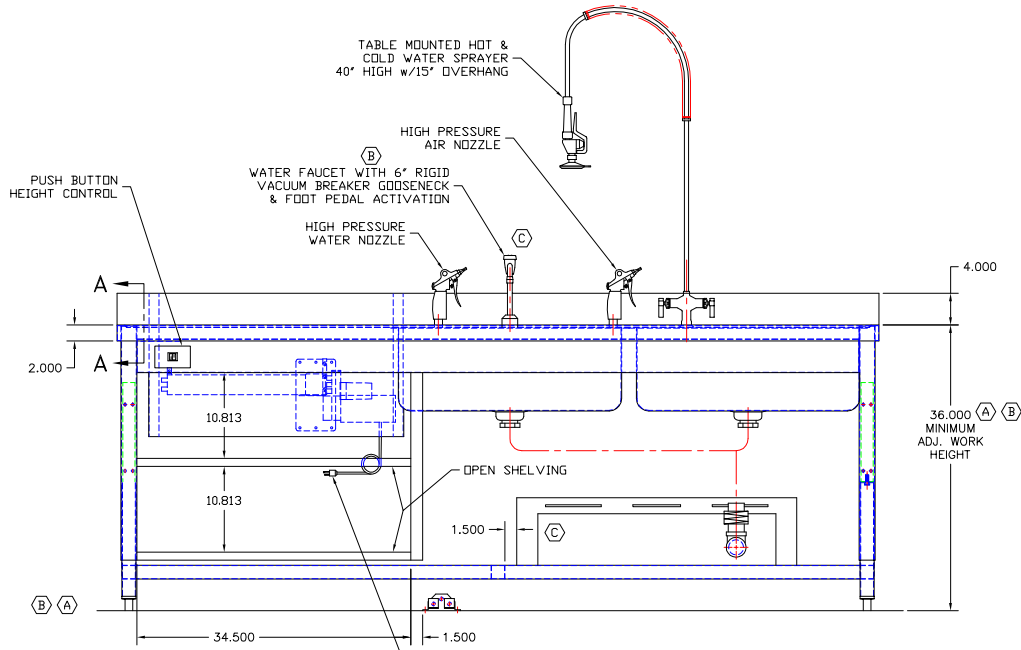
- (CW) — COLD WATER - 3/4" I.P.S.
- (HW) — HOT WATER - 1/2" I.P.S.
- (D) — DRAIN - 1-1/2" I.P.S.
- (A) — LABORATORY COMPRESSED AIR - 3/8" I.P.S.
- (E) — ELECTRICAL - 115 V., 1 PH., 60 Hz., 15 AMP

APPROVED

PRINT NAME:  
DATE:  
SIGNATURE:



SECTION A-A



NOTE: MAX. OVERALL DIMENSIONS MUST BE CONSIDERED FOR BUILDING ENTRY.

This print is the property of TBJ Incorporated. The information contained herein is confidential, it is not transferable. It is furnished with the clear understanding that it is not to be traced, reproduced or used in any other process of manufacturing without written permission from the owner and is returnable upon request. Any infringement upon the patent rights shown herein, whether in whole or part, will be severely prosecuted.

RIGHT HAND SINK FOR LEFT HAND SEE R05117

		<b>TBJ INC</b>		1671 ORCHARD DRIVE CHAMBERSBURG, PA 17201	
C	WAS 250 & 600 DIMS. SINKS WERE 17x24x10" DP. CENTERED FAUCET TO SINK. ADDED UTILITY SUPPORT	JEG	2-14-07	SCALE N.T.S. 6179-1	DRAWN BY JEG
B	UPDATED PER CUSTOMER CHANGES	JEG	1-4-07	REF DWG - R05098	DATE 7-19-05
A	HEIGHT ADJUST WAS 36 TO 44, NDV 38 TO 46 & ADDED SEISMIC ANCHERING FEET	JEG	5-8-06	MODEL 30-96 WS-AH WORK SINK	
LET	REVISION	BY	DATE	ROUGH-IN ASSY R05118	