

UTILITY REQUIREMENTS

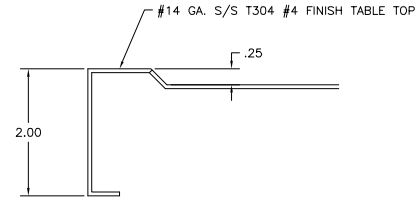
- (CW) — COLD WATER — 1/2" I.P.S.
- (HW) — HOT WATER — 1/2" I.P.S.
- (D) — DRAIN — 1-1/2" I.P.S.

APPROVED

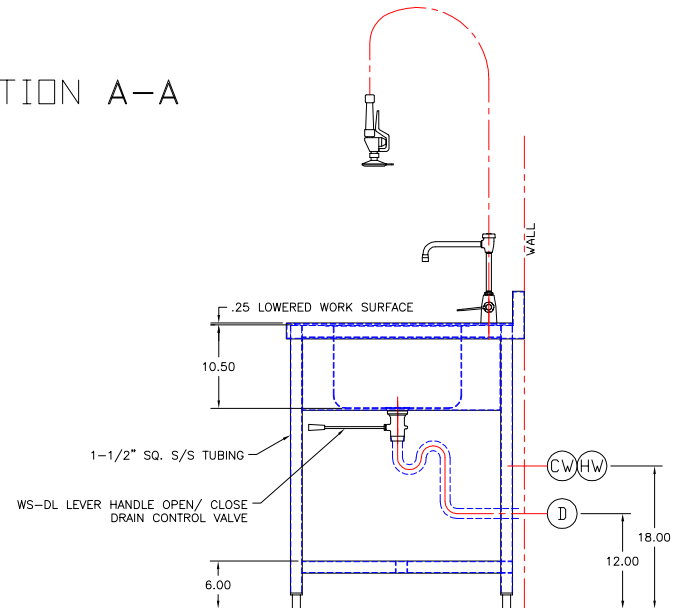
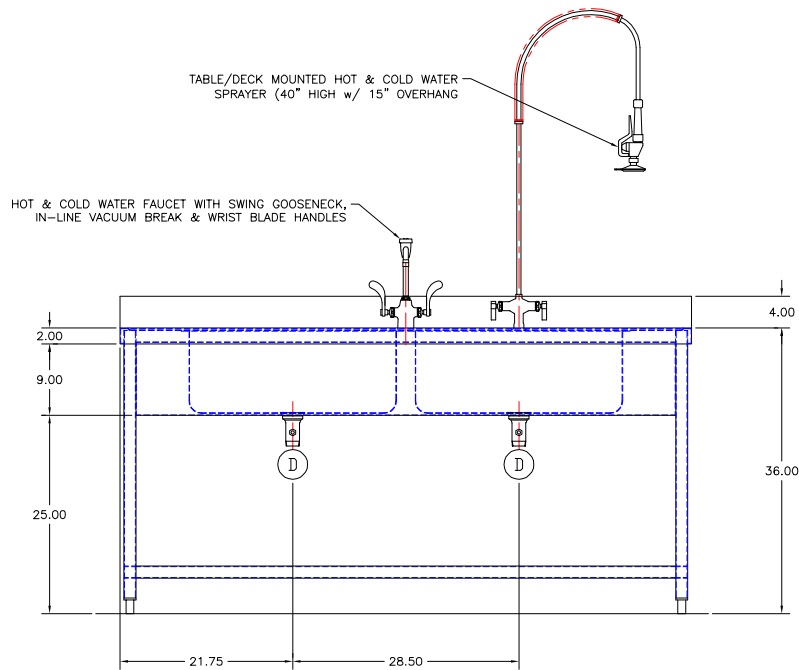
PRINT NAME: _____

DATE: _____

SIGNATURE: _____



SECTION A-A



This print is the property of TBJ Incorporated. The information contained herein is confidential, it is not transferable. It is furnished with the clear understanding that it is not to be traced, reproduced or used in any other process of manufacturing without written permission from the owner and is returnable upon request. Any infringement upon the patent rights shown herein, whether in whole or part, will be severely prosecuted.

TBJ INC				1671 ORCHARD DRIVE CHAMBERSBURG, PA 17201	
SCALE N.T.S.		DRAWN BY ALE		DATE 1-18-06	
REF DWG - R05024					
MODEL 30-72 WS WORK SINK					
LET	REVISION	BY	DATE	ROUGH-IN ASSY	R06013