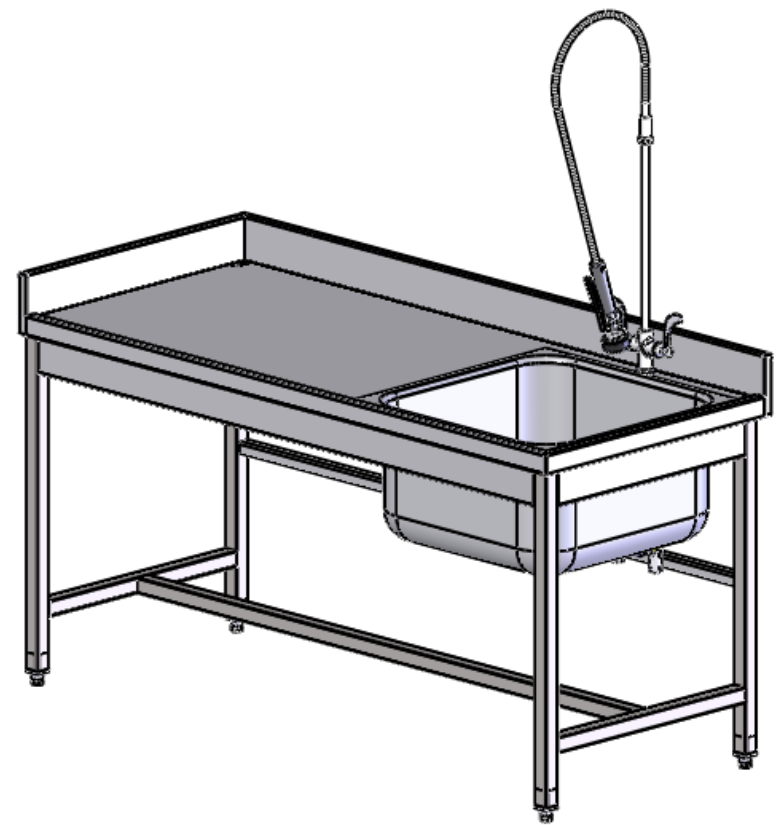


- UTILITY REQUIREMENTS
- (CW) - Cold Water - 1/2" I.P.S.
 - (HW) - Hot Water - 1/2" I.P.S.
 - (D) - Drain - 1 1/2" I.P.S.

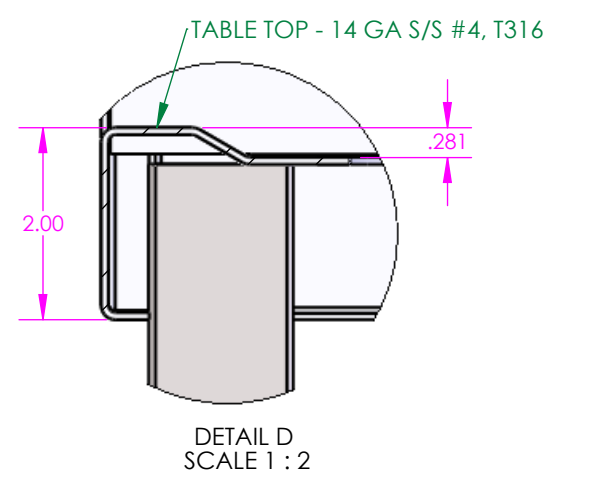
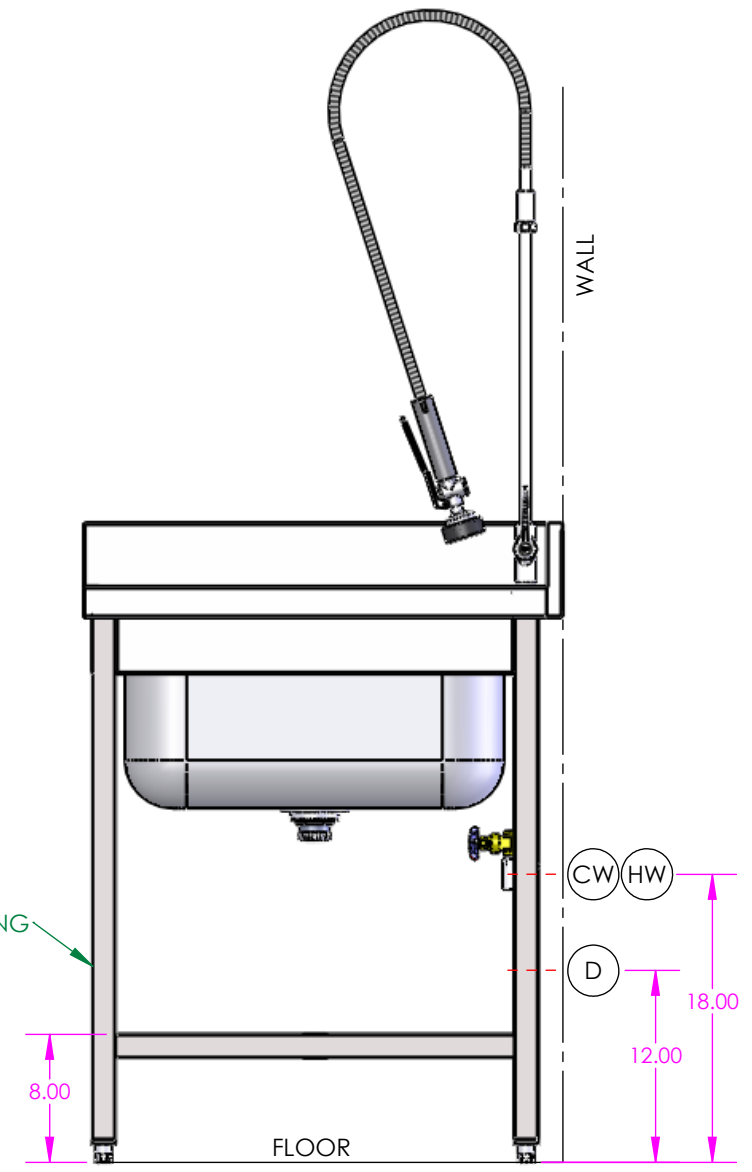
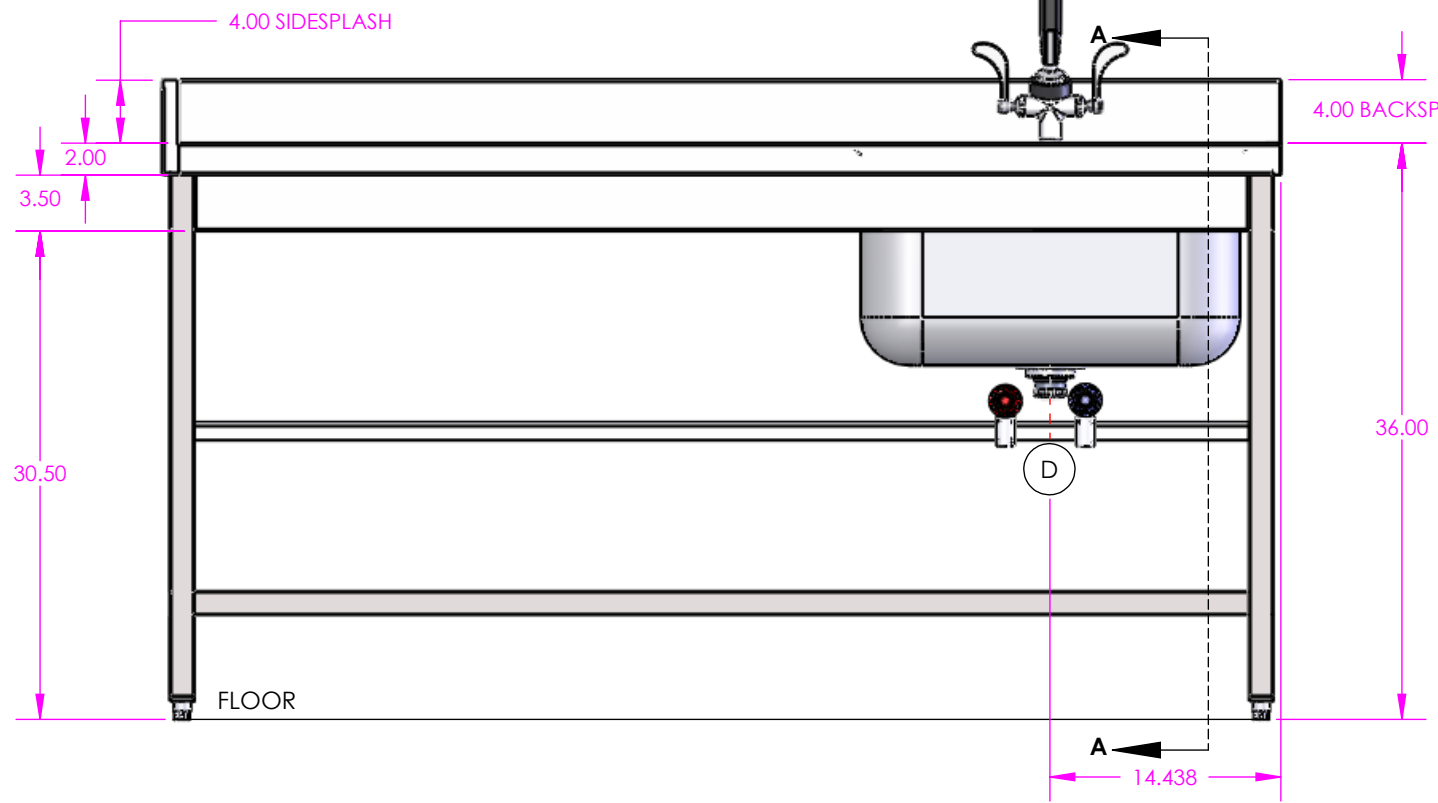


APPROVED

Print Name:

Date:

Signature:



This print is the property of TBJ Incorporated. The information contained herein is confidential, it is not transferable. It is furnished with the clear understanding that it is not to be traced, reproduced or used in any process of manufacturing without written permission from the owner and is returnable upon request. Any infringement upon the patent rights shown herein, whether in whole or part, will be severely prosecuted.

TBJ INCORPORATED		1671 Orchard Drive Chambersburg, PA 17201 Phone 717-261-9700 www.tbjinc.com	
DATE: 3/4/2009	Drawn By - NES	Ref DWG - R05024	
TITLE: MODEL 30-70 WS WORK SINK			
MATERIAL:			
SIZE B	PART NO. R09014	REV. #	
SCALE: 1:24	WEIGHT: 133.42	SHEET 2 OF 5	