

This print is the property of TBJ Incorporated. The information contained herein is confidential, it is not transferable. It is furnished with the clear understanding that it is not to be traced, reproduced or used in any other process of manufacturing without written permission from the owner and is returnable upon request. Any infringement upon the patent rights shown herein, whether in whole or part, will be severely prosecuted.

TBJ Inc.
1671 Orchard Drive, Chambersburg, PA 17201
phone 717-261-9700 www.tbjinc.com

CONFIDENTIAL DOCUMENT

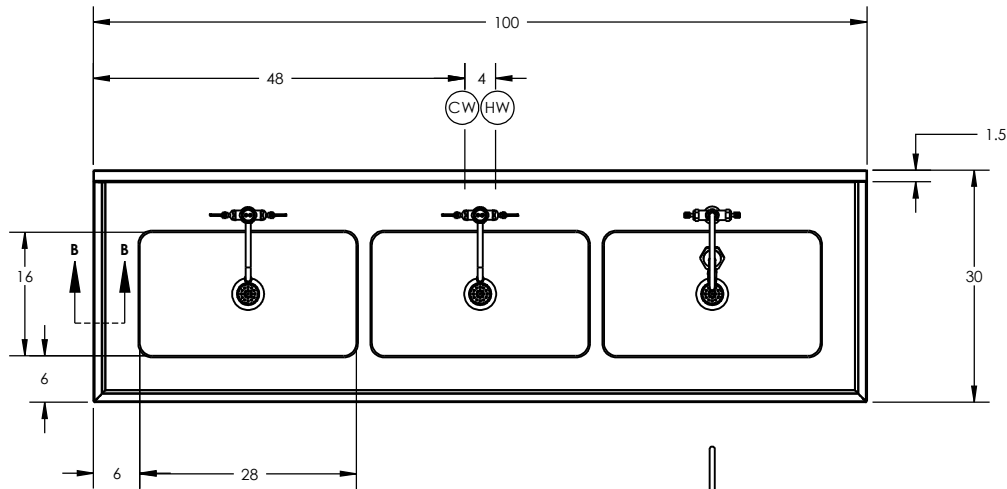
Work Sink
Cover

Material: Assembly

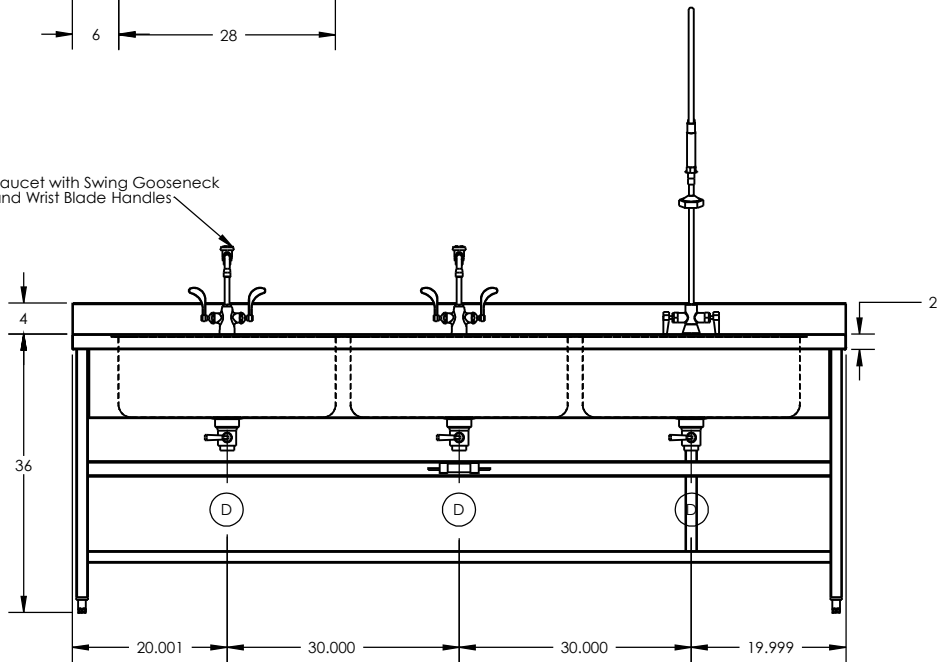
LTR	DESCRIPTION	DATE	BY	REV. #
	REVISIONS			

SIZE	PART NO.	REV. #
B	Work Sink 30-100 WS_1346-1	

SCALE: WEIGHT: 243.19 SHEET 1 OF 6



Water Faucet with Swing Gooseneck and Wrist Blade Handles



UTILITY REQUIREMENTS

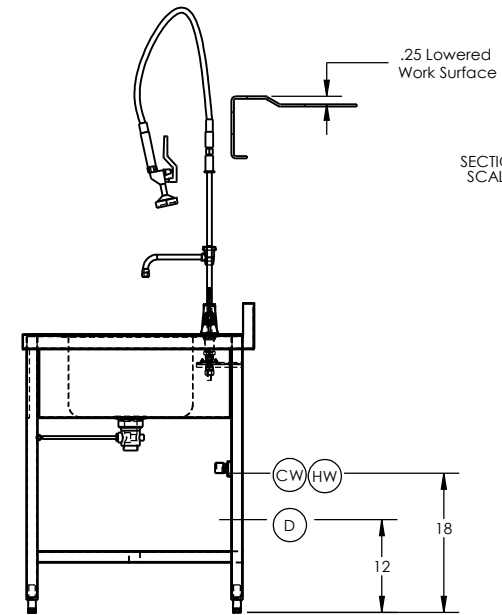
- ⊙ CW - Cold Water - 1/2" I.P.S.
- ⊙ HW - Hot Water - 1/2" I.P.S.
- ⊙ D - Drain - 1-1/2" I.P.S.

APPROVED

Print Name:

Date:

Signature:



SECTION B-B
SCALE 1 : 4

This print is the property of TBJ Incorporated. The information contained herein is confidential, it is not transferable. It is furnished with the clear understanding that it is not to be traced, reproduced or used in any other process of manufacturing without written permission from the owner and is returnable upon request. Any infringement upon the patent rights shown herein, whether in whole or part, will be severely prosecuted.

TBJ Inc.
1671 Orchard Drive, Chambersburg, PA, 17201
phone 717-261-9700 www.tbjinc.com
CONFIDENTIAL DOCUMENT

Work Sink
Installation Rough-In

Material: Assembly

SIZE	PART NO.	REV.
B	Work Sink 30-100 WS_1346-1	#

SCALE: WEIGHT: 243.19 SHEET 2 OF 6