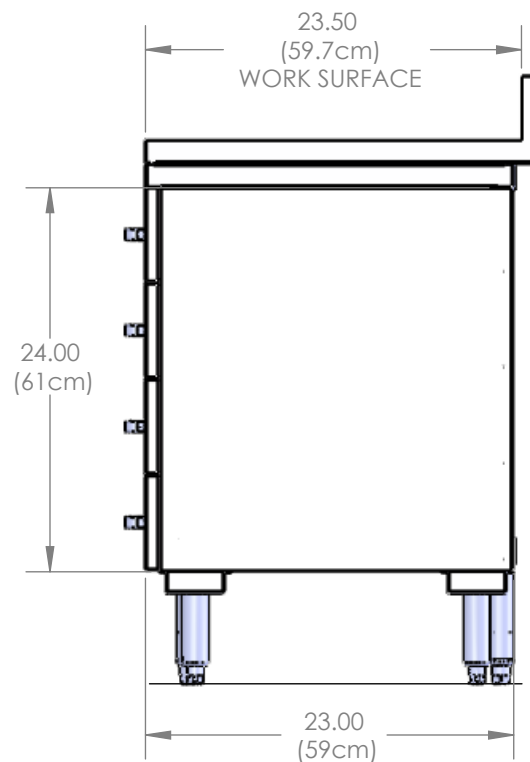
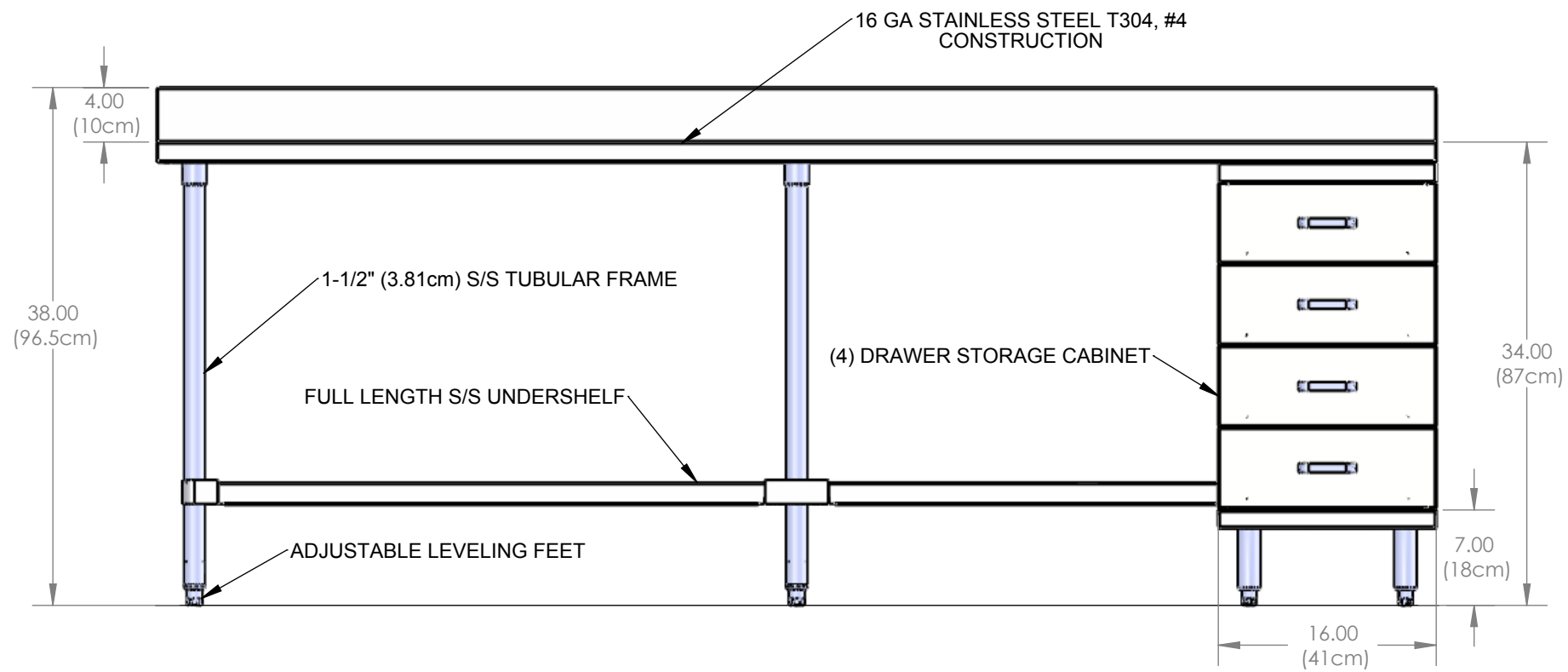
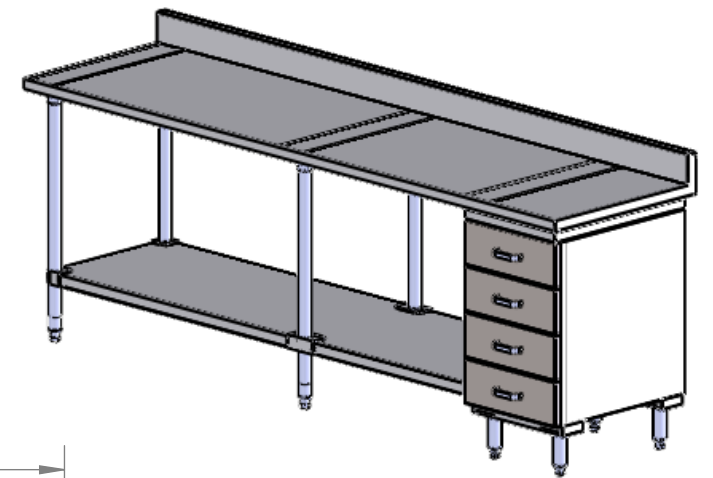
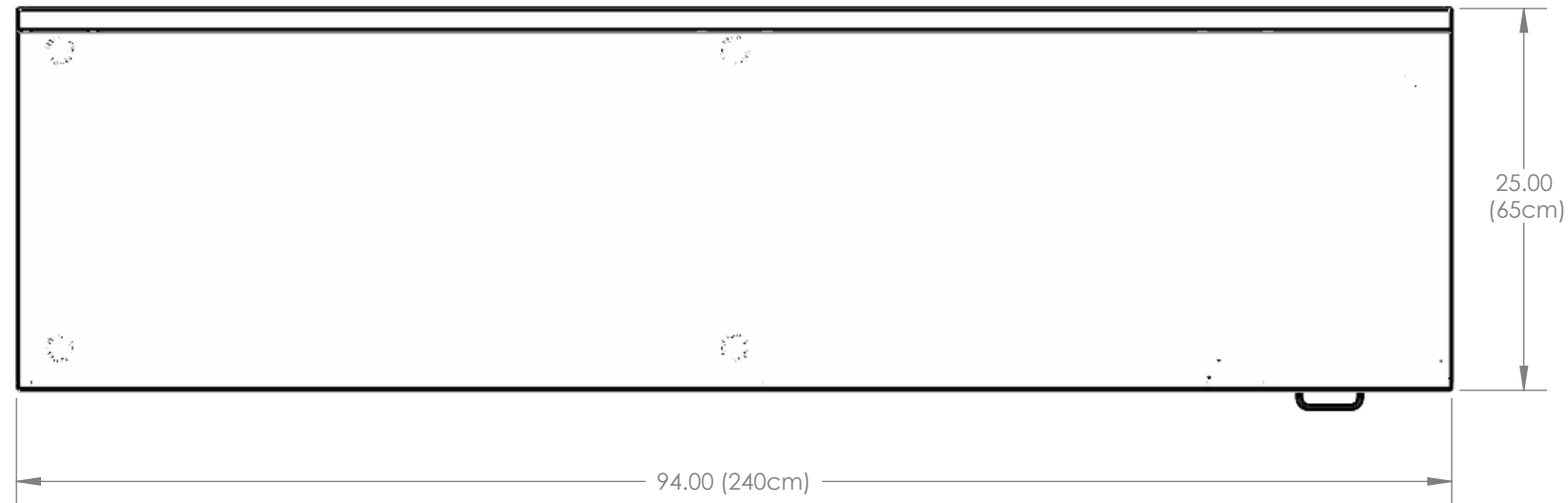


**APPROVED**

Print Name:

Date:

Signature:



This print is the property of TBJ Incorporated. The information contained herein is confidential, it is not transferable. It is furnished with the clear understanding that it is not to be traced, reproduced or used in any process of manufacturing without written permission from the owner and is returnable upon request. Any infringement upon the patent rights shown herein, whether in whole or part, will be severely prosecuted.

**TBJ Inc.**  
 1671 Orchard Drive, Chambersburg, PA 17201  
 phone 717-261-9700 www.tbjinc.com  
**CONFIDENTIAL DOCUMENT**

**25-94 WT WORK TABLE**

Material: Assembly

		6/11/09	NS	SIZE	PART NO.	REV.
LTR	DESCRIPTION	DATE	BY	<b>B</b>	09131-3	#
SCALE:		WEIGHT: 268.37		SHEET 1 OF 1		