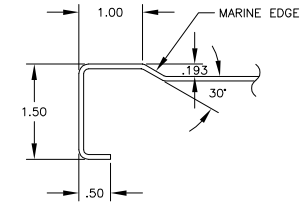


UTILITY REQUIREMENTS

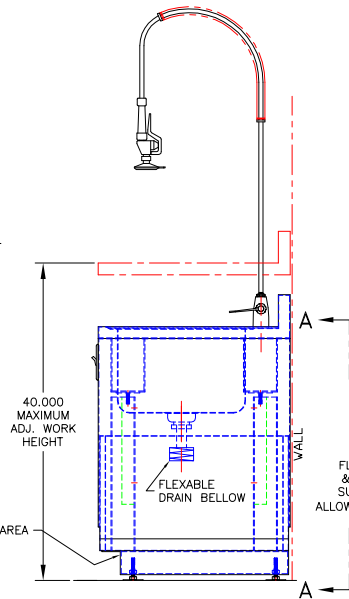
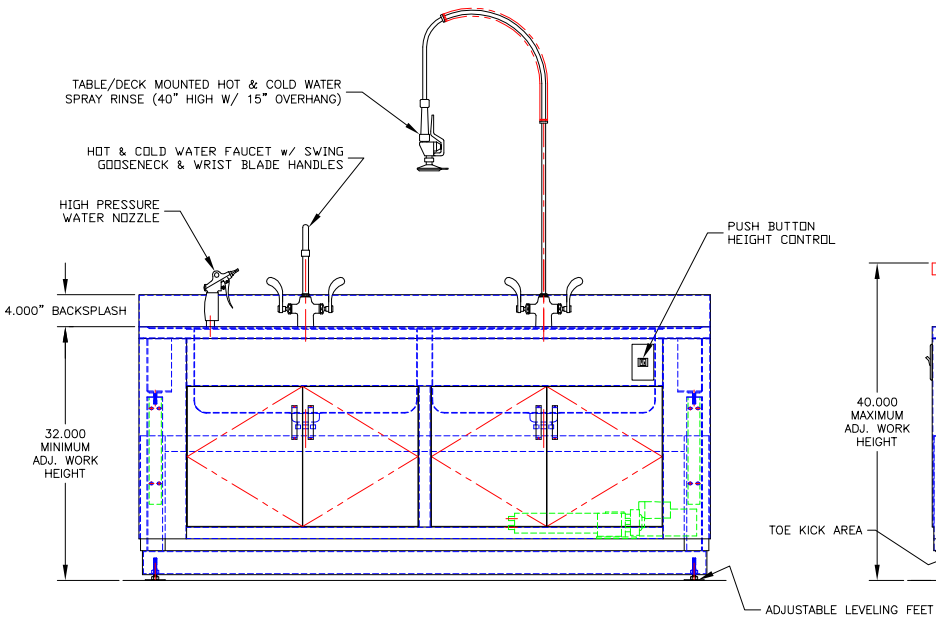
- (CW) — COLD WATER - (3) @ 1/2" I.P.S.
- (HW) — HOT WATER - (2) @ 1/2" I.P.S.
- (D) — DRAIN - (2) @ 1-1/2" I.P.S.
- (E) — ELECTRICAL - 115 V., 1 PH., 60 Hz., 15 AMP (3-PRONG PLUG)

APPROVED

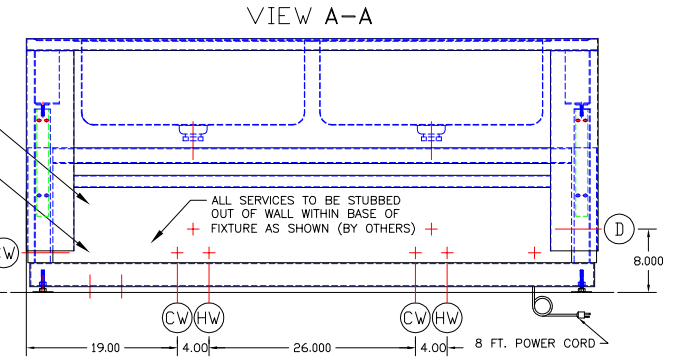
PRINT NAME:
DATE:
SIGNATURE:



SECTION B-B



NOTE - OPEN BACK FOR SERVICES TO STUB THRU
FLEXIBLE LINES FOR HOT & COLD WATER & DRAIN SUPPLIED BY TBJ INC TO ALLOW FOR 8" VERT. TRAVEL



NOTES: 1) MAX. OVERALL DIMENSIONS MUST BE CONSIDERED FOR BUILDING ENTRY.

		TBJ INCORPORATED		1671 ORCHARD DRIVE CHAMBERSBURG, PA 17201 Phone: (717) 261-9700 www.tbjinc.com	
		SCALE 1-1/2"=1'-0"		DRAWN BY NES	
		REF DWG - R1107		DATE 12-14-11	
A	24" DEPTH WAS 30"	BAB	3/8/12	MODEL 24-72 WS-AH WORK SINK	
LET	REVISION	BY	DATE	ROUGH-IN ASSY	R11214