

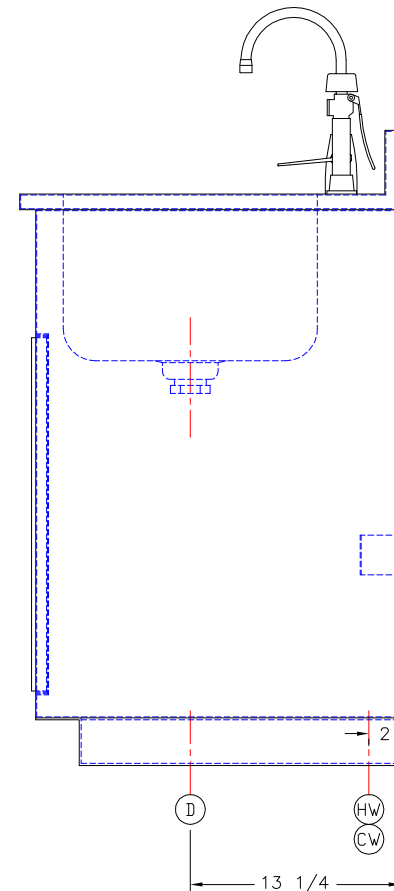
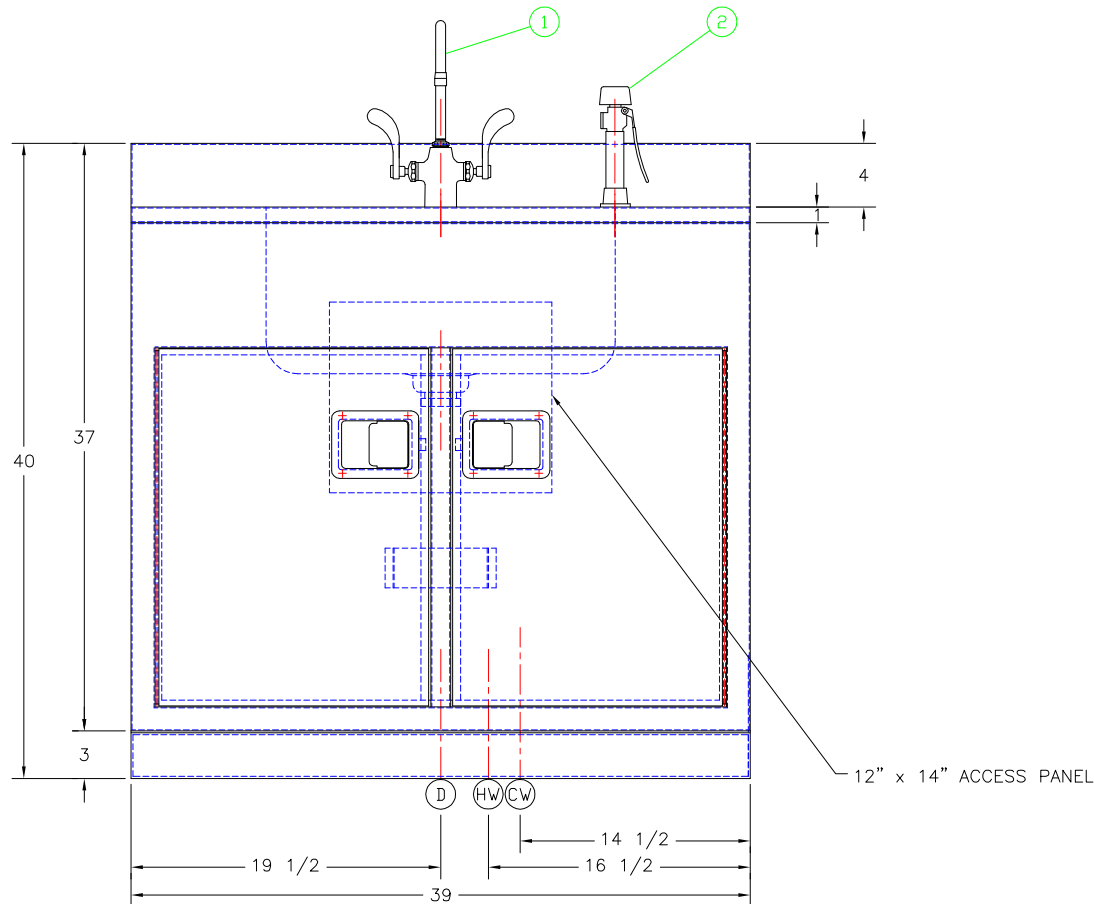
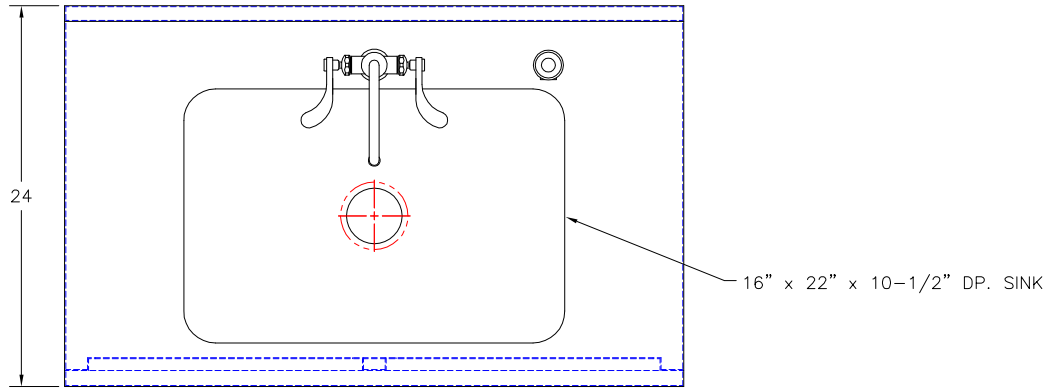
ITEM	QTY	TOT	DESCRIPTION	SPECIFICATION	PART NO.
1	1		EMERGENCY EYE WASH	WATERSAVER	EW-1020-R
2	1		HOT & COLD WATER FAUCET	WATERSAVER	LR431-BA39

UTILITY REQUIREMENTS

- ⊙ CW — COLD WATER - 1/2" I.P.S.
- ⊙ HW — HOT WATER - 1/2" I.P.S.
- ⊙ D — DRAIN - 1 1/2" DIA

APPROVED

PRINT NAME:
DATE:
SIGNATURE:



This print is the property of TBJ Incorporated. The information contained herein is confidential, it is not transferable. It is furnished with the clear understanding that it is not to be traced, reproduced or used in any other process of manufacturing without written permission from the owner and is returnable upon request. Any infringement upon the patent rights shown herein, whether in whole or part, will be severely prosecuted.

A	REVISED		CWF	11-24-04
LET	REVISION		BY	DATE
TBJ INC		1671 ORCHARD DRIVE CHAMBERSBURG, PA 17201		
SCALE 3"=1'-0"	DRAWN BY ALE			
REF DWG -	DATE 10-15-04			
24-39 WORK SINK				
ROUGH-IN ASSEMBLY			R04169	