

APPROVED

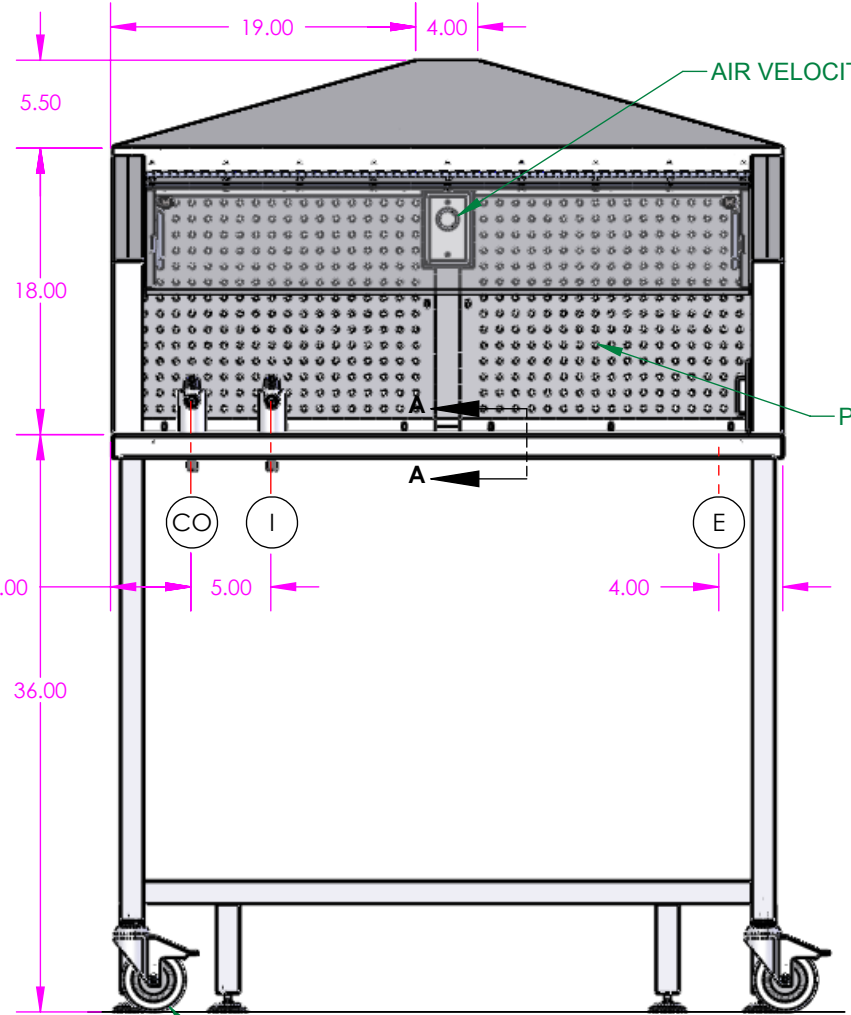
Print Name:
Date:
Signature:

UTILITY REQUIREMENTS

- (E) - ELECTRICAL - 115V, 1 PH, 60 Hz, 15 Amps
WALL OUTLET TO ACCEPT A 3-PRONG PLUG w/ 8 FT. LONG CORD
- (CO) - LABORATORY CARBON DIOXIDE - 3/8" I.P.S.
- (I) - LABORATORY ISOFLURANE - 3/8" I.P.S.
- (EX) - EXHAUST - 6" O.D. - 350 CFM @ 0.45 S.P.

INCLUDED OPTIONS

- AIR VELOCITY MONITOR
- (8) FT. POWER CORD
- (4) S/S ADJUSTABLE LEVELING FEET



VIEWING WINDOW
3/8" THK LEXAN w/o FRAME

DAMPER CONTROL

36" FLUORESCENT LIGHT

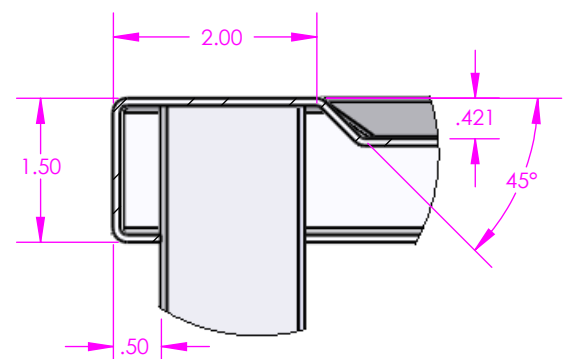
COUNTER TOP LIGHT SWITCH
(NEAR SIDE)

14 GA TYPE 316 #4 S/S TOP

PERFORATED PANEL

1-1/2" SQ. S/S TUBING

CENTER SUPPORT



DETAIL A
SCALE 1 : 2

(8) FOOT POWER CORD

(4) SWIVEL TYPE CASTERS w/ LOCKING BRAKE

(4) ADJUSTABLE LEVELING FEET

TBJ
INCORPORATED
1671 Orchard Drive
Chambersburg, PA 17201
Phone 717-261-9700
www.tbjinc.com

DATE: 2/19/2010 Drawn By - NES Ref DWG - R09143

TITLE: **SNS-42-M
MOBILE VENTED WORKSTATION**

MATERIAL: **Assembly**

SIZE	PART NO.	REV.
B	R10028	#

LTR	DESCRIPTION	DATE	BY
	REVISIONS		

SCALE: 1:24 WEIGHT: 240.95 SHEET 1 OF 1