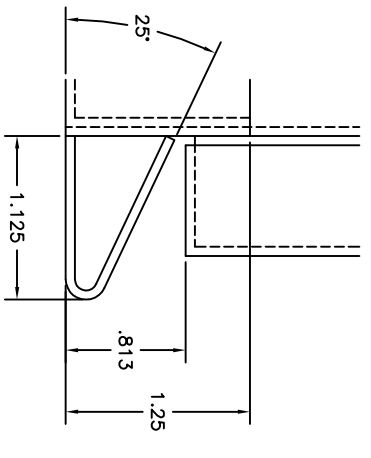
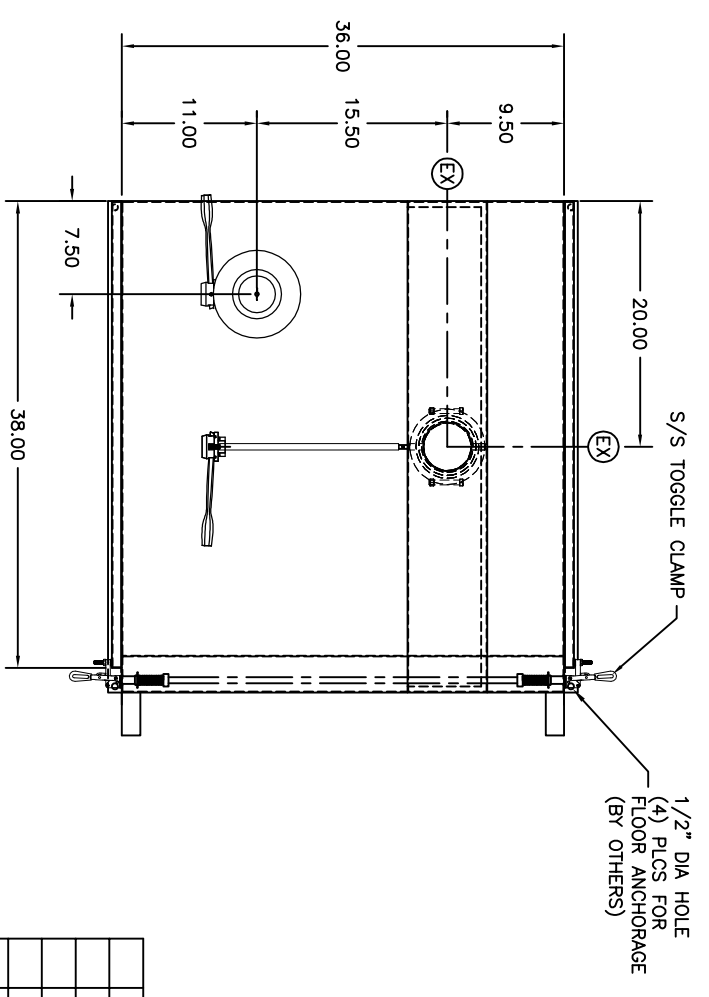
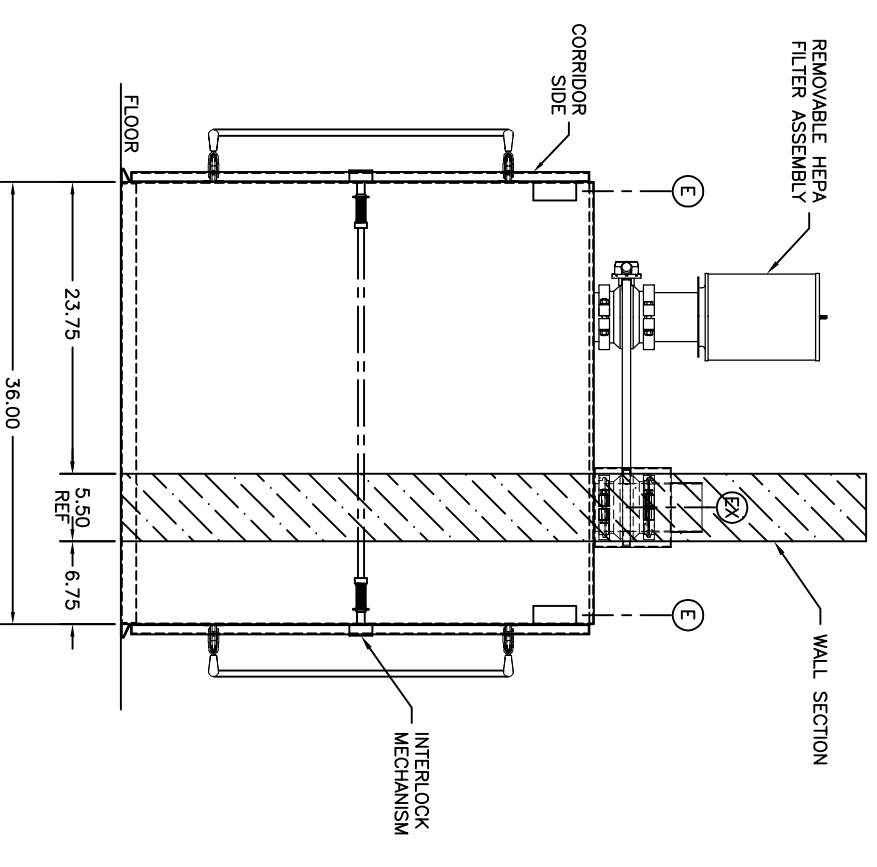
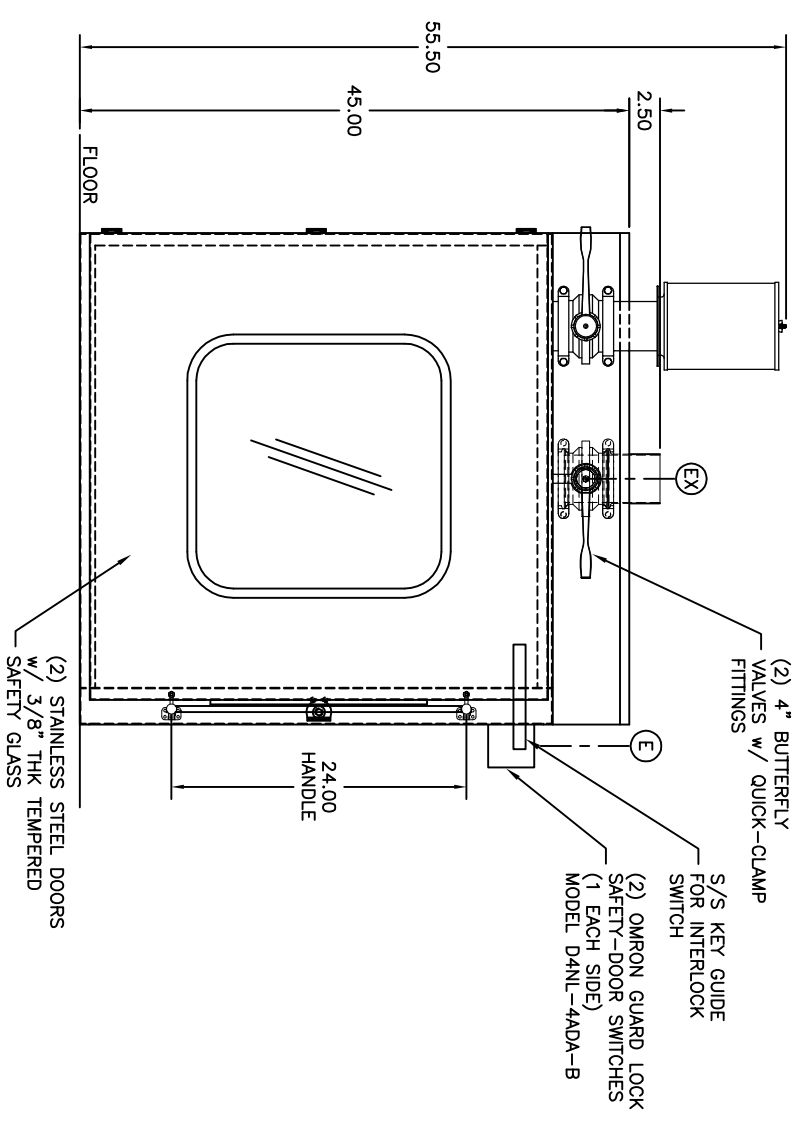
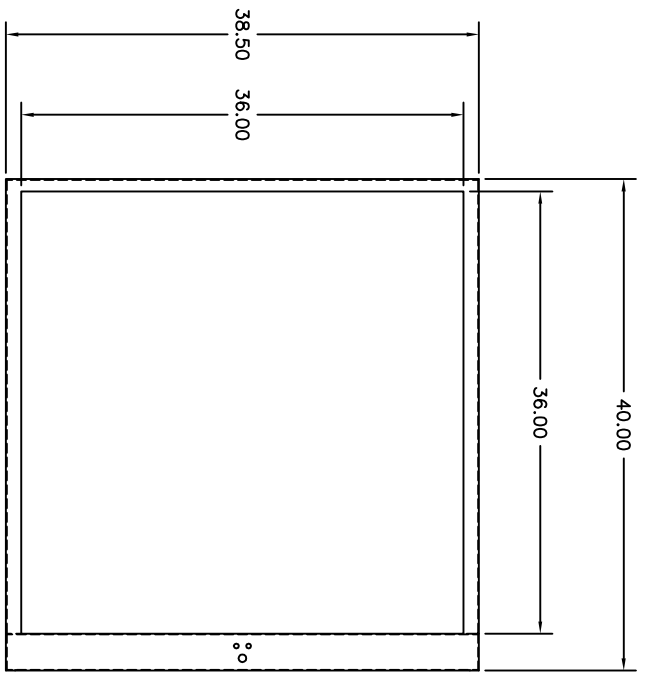


- CONSTRUCTION NOTES:**
- CUT HOLE THROUGH WALL 1/2" LARGER THAN UNIT (45.50"H x 40.50"W)
 - INSTALL PASS THRU INTO WALL
 - RESEAL WALL OPENING AS REQUIRED W/ TRIM FLANGES (NOT SHOWN)
 - (CUSTOMER TO SPECIFY WALL THICKNESS)
 - LAG PASS THRU TO THE FLOOR (4) PLCS
 - 16 GA STAINLESS STEEL TYPE 316
 - 3/8" TEMPERED SAFETY GLASS
 - NEOPRENE GASKET DOOR SEALS
 - 36" WIRING HARNESS SUPPLIED FOR EACH OMRON LOCK

- UTILITY REQUIREMENTS**
- EX - EXHAUST - 4" O.D.
 - E - ELECTRIC - (2) @ 24V DC



RAMP DETAIL
SCALE: 6"=1'-0"

APPROVED

PRINT NAME:
DATE:
SIGNATURE:

| | |
|--|---|
| 1671 ORCHARD DRIVE CHAMBERSBURG, PA 17201 PHONE (717) 261-9700 WWW.TBJINC.COM | |
| SCALE: 1/2"=1'-0" | DRAWN BY: NES |
| REF DWG - R10217 | DATE: 8-24-11 |
| PT 36-36-36-V CART PASS THRU CABINET | |
| ROUGH-IN ASSEMBLY | |
| REVISION | BY DATE |
| A | UPDATED WALL DIMENSIONS AND CUT-OUT NES 12-5-11 |
| LET | |