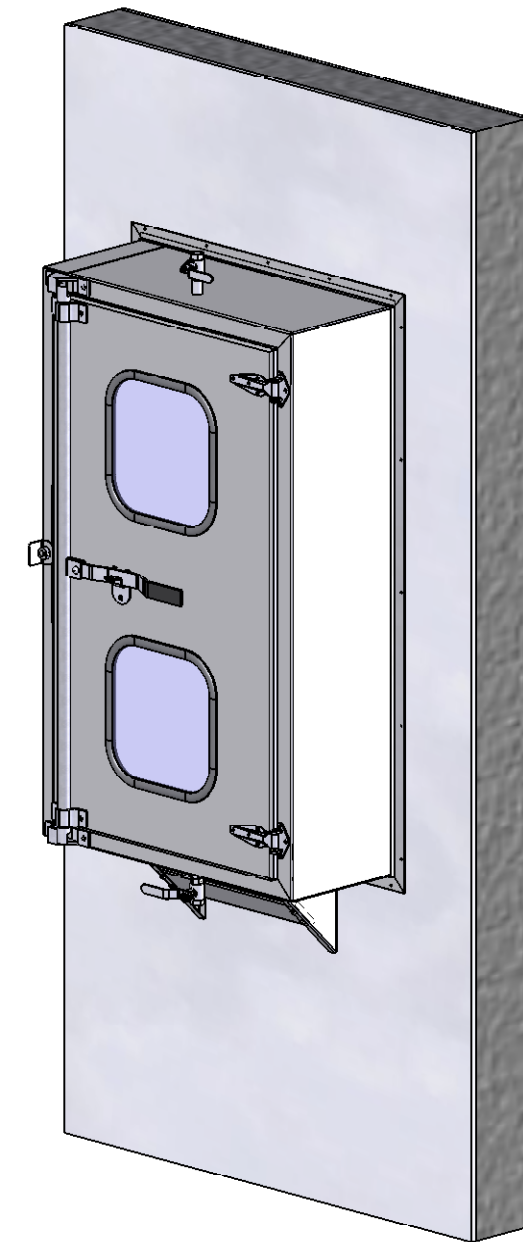


Pass Thru Cabinet



Typical Through Wall Installation with Wall Mount Support Bracket and Trim Strips

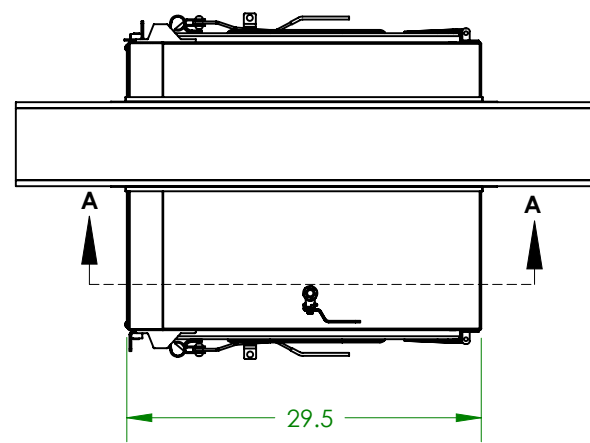
This print is the property of TBJ Incorporated. The information contained herein is confidential, it is not transferable. It is furnished with the clear understanding that it is not to be traced, reproduced or used in any process of manufacturing without written permission from the owner and is returnable upon request. Any infringement upon the patent rights shown herein, whether in whole or part, will be severely prosecuted.

TBJ Inc.
 1671 Orchard Drive, Chambersburg, PA 17201
 phone 717-261-9700 www.tbjinc.com
CONFIDENTIAL DOCUMENT

Pass Thru Non Vented

Material: Assembly

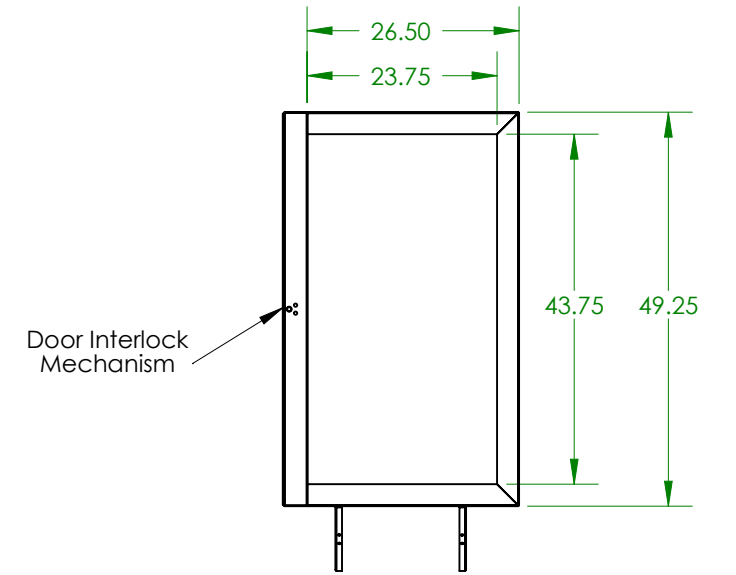
LTR	DESCRIPTION	DATE	BY	SIZE	PART NO.	REV. #
	REVISIONS			B	PT 24-48-24_1280-1	
				SCALE:	WEIGHT: 226.04	SHEET 1 OF 4



Construction:
 Doors, Cabinet and Hardware of T 304 Stainless Steel
 Cabinet to be airtight not pressurized

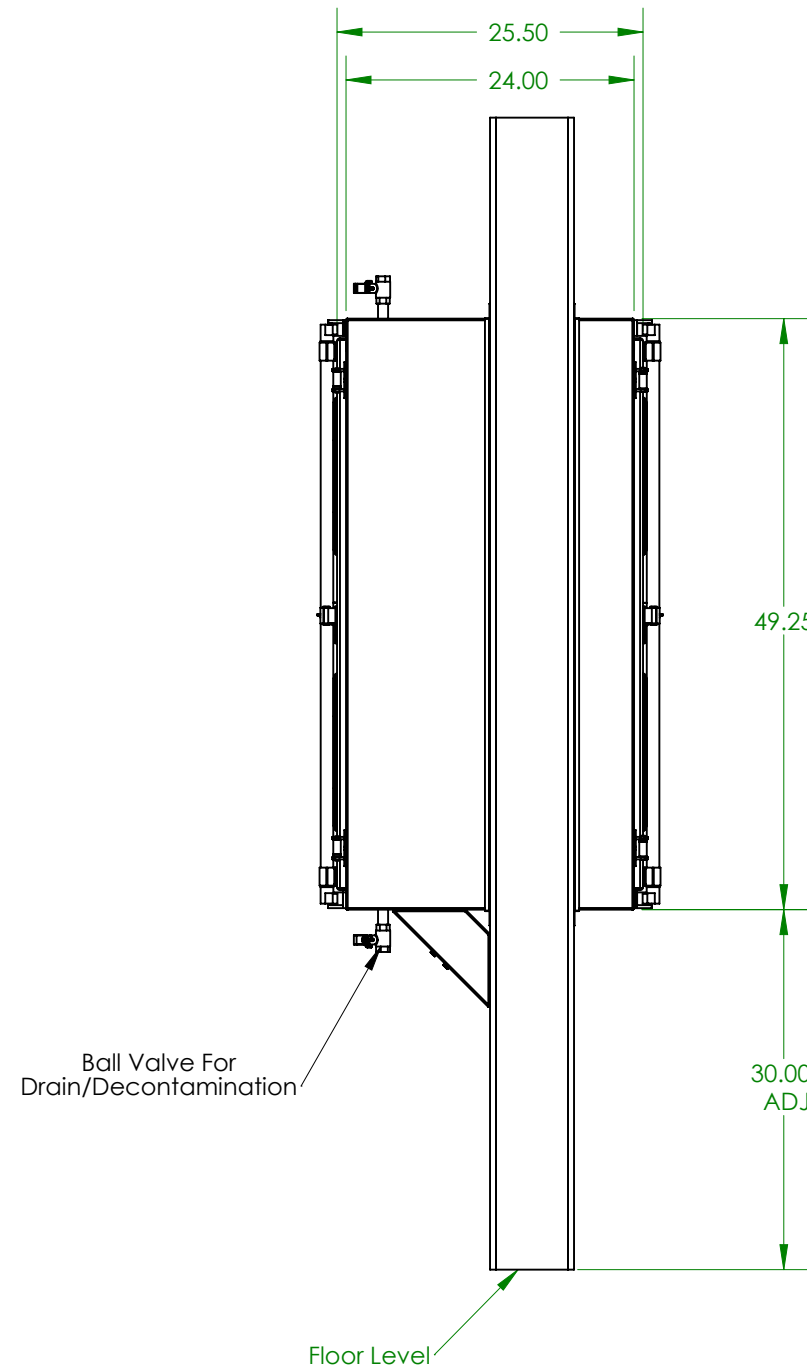
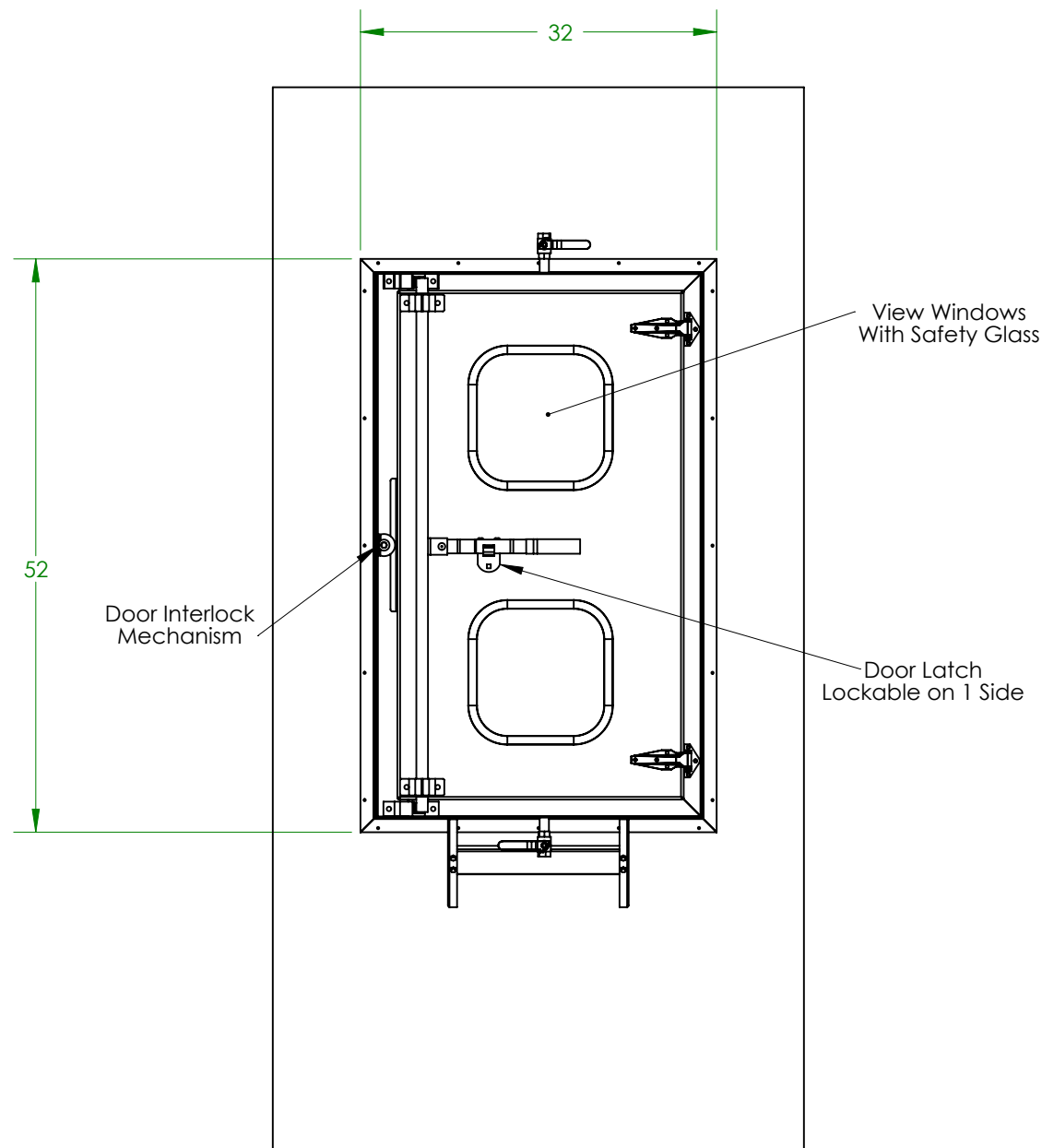
Includes mounting angles with mitered corners
 to frame wall openings

Support shelf available to support cabinet if
 wall support alone is not sufficient



Clear Opening
 Through Cabinet

SECTION A-A



APPROVED

Print Name: _____

Date: _____

Signature: _____

This print is the property of TBJ Incorporated.
 The information contained herein is confidential,
 it is not transferable. It is furnished with the clear
 understanding that it is not to be traced, reproduced
 or used in any process of manufacturing without
 written permission from the owner and is returnable
 upon request. Any infringement upon the patent
 rights shown herein, whether in whole or part, will
 be severely prosecuted.

TBJ Inc. 1671 Orchard Drive, Chambersburg, PA 17201 phone 717-261-9700 www.tbjinc.com			
CONFIDENTIAL DOCUMENT			
Pass Thru Non Vented			
Material: Assembly			
SIZE	PART NO.	REV.	#
B	PT 24-48-24_1280-1		
SCALE:	WEIGHT: 226.04	SHEET 2 OF 4	