

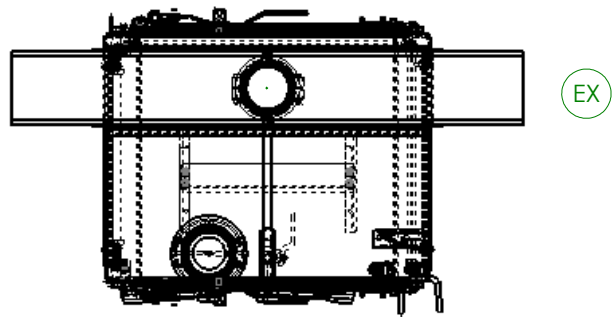
This print is the property of TBJ Incorporated. The information contained herein is confidential, it is not transferable. It is furnished with the clear understanding that it is not to be traced, reproduced or used in any process of manufacturing without written permission from the owner and is returnable upon request. Any infringement upon the patent rights shown herein, whether in whole or part, will be severely prosecuted.

TBJ Inc.
 1671 Orchard Drive, Chambersburg, PA 17201
 phone 717-261-9700 www.tbjinc.com
CONFIDENTIAL DOCUMENT

PTC2 PT 24-24-24 V Modified
 Modifications to Damper Box

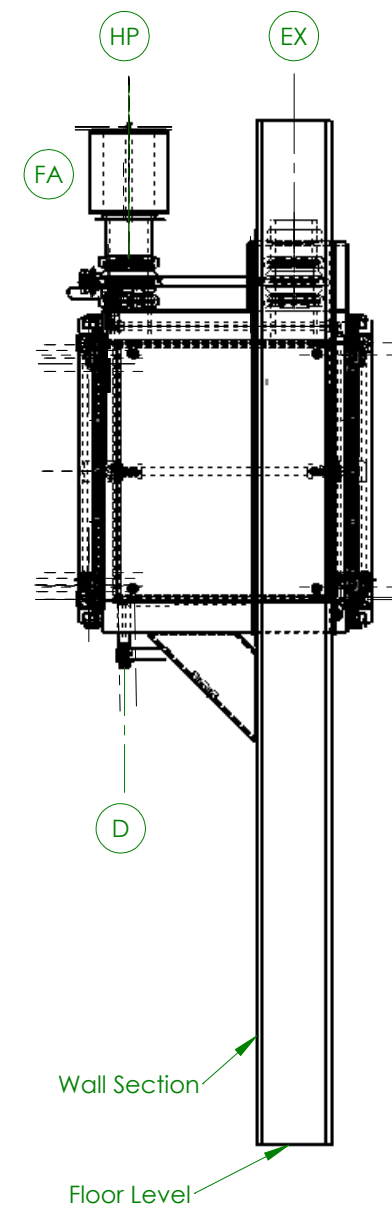
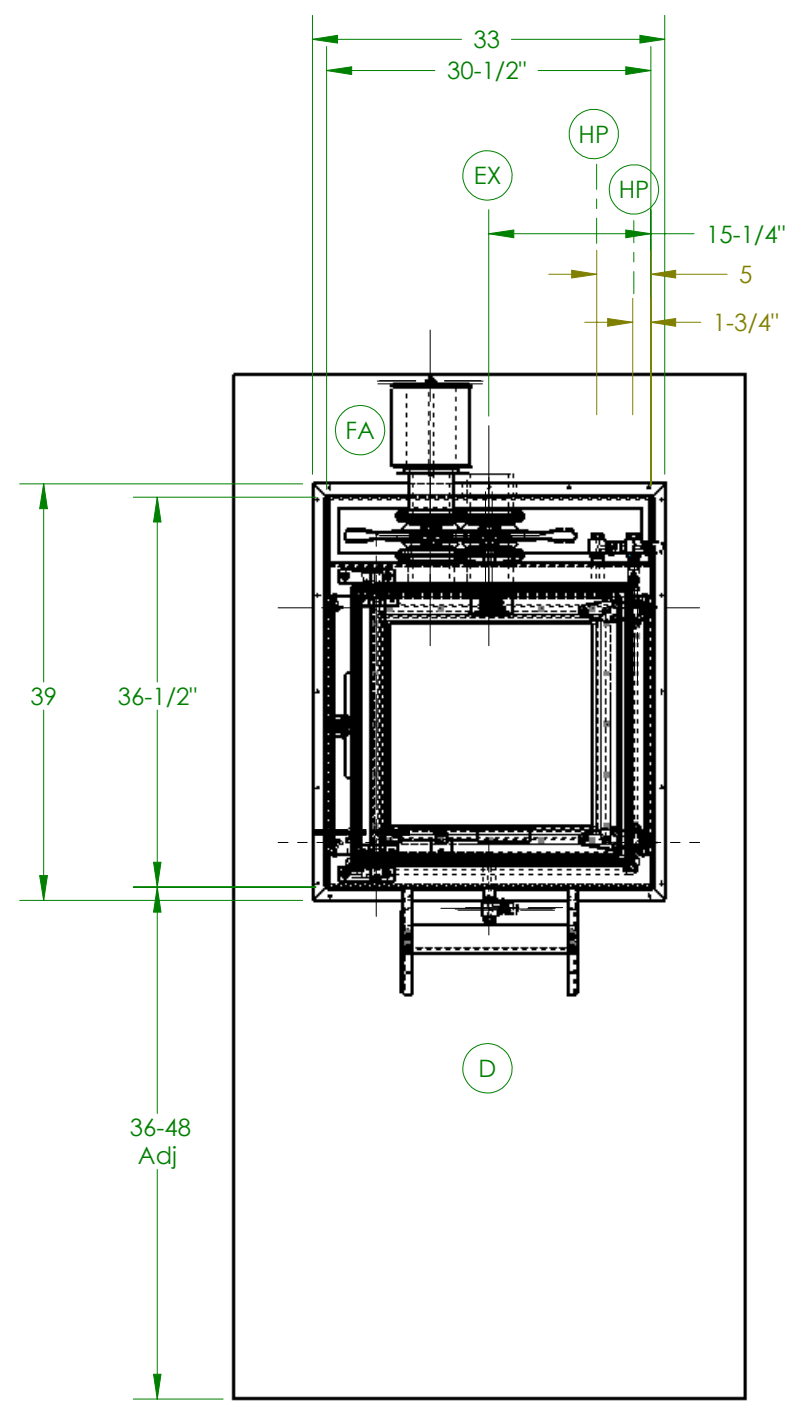
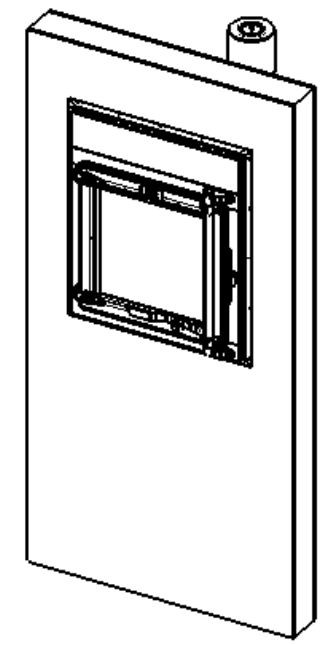
Material: Assembly

SIZE	PART NO.	REV.
B	PT 24-24-24 V_0990-2-MOD	#
SCALE:		WEIGHT: 308.62
REVISIONS		SHEET 1 OF 3



UTILITIES

- (D) - Drain - 1/2" NPT
- (HP) - Vaporized Hydrogen Peroxide 2 X 1/2" NPT
- (EX) - Exhaust with 4" Sanitary Fitting to Butterfly Valve
- (FA) - Filtered Air - Vacuum Hepa Filter



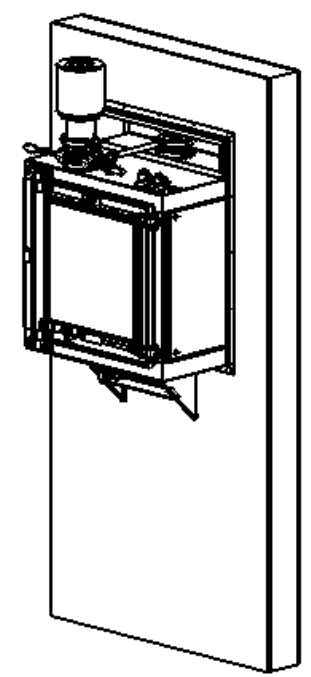
This print is the property of TBJ Incorporated. The information contained herein is confidential, it is not transferable. It is furnished with the clear understanding that it is not to be traced, reproduced or used in any process of manufacturing without written permission from the owner and is returnable upon request. Any infringement upon the patent rights shown herein, whether in whole or part, will be severely prosecuted.

APPROVED

Print Name:

Date:

Signature:



TBJ Inc.
 1671 Orchard Drive, Chambersburg, PA 17201
 phone 717-261-9700 www.tbjinc.com
CONFIDENTIAL DOCUMENT

PTC2 PT 24-24-24 V Modified
 Modifications to Damper Box

Material: Assembly	
SIZE	PART NO.
B	PT 24-24-24 V_0990-2-MOD
SCALE:	WEIGHT: 314.64
	SHEET 2 OF 3