

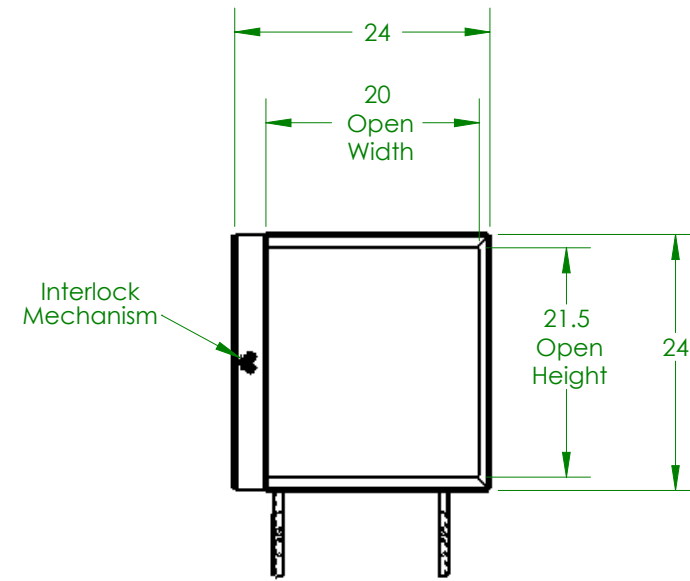
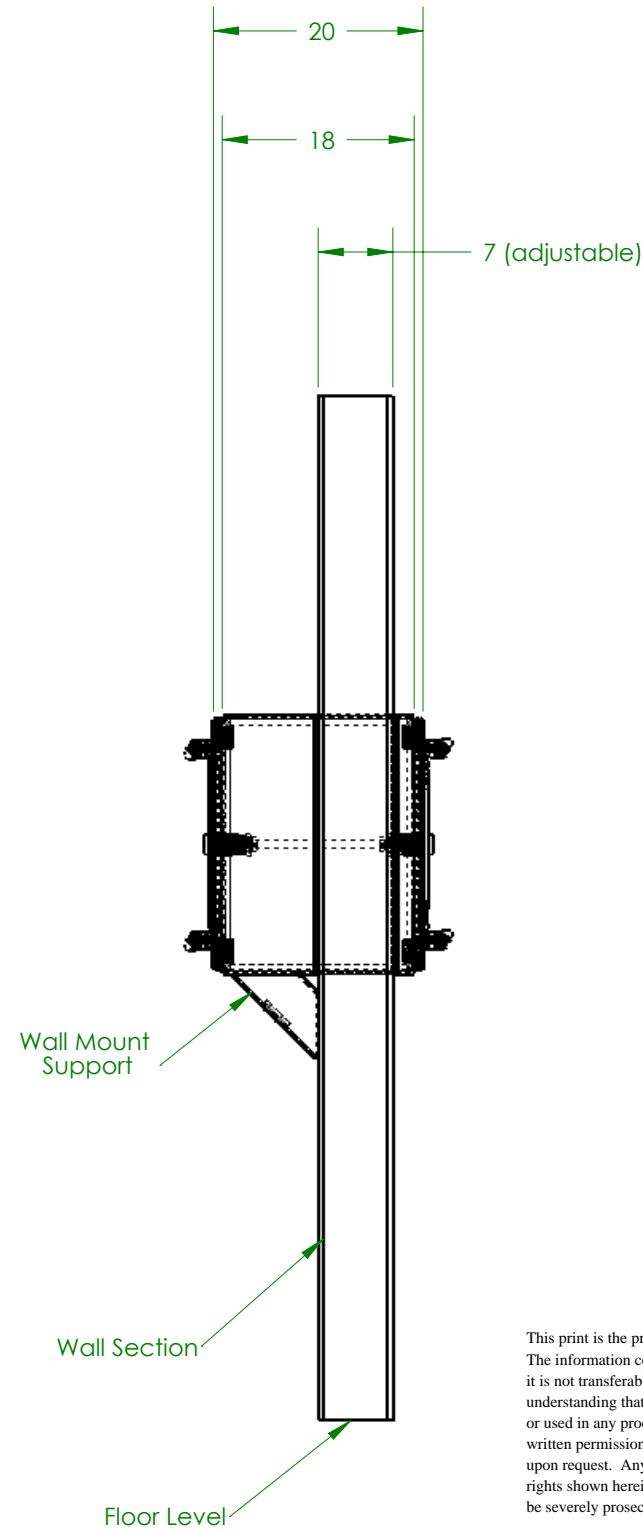
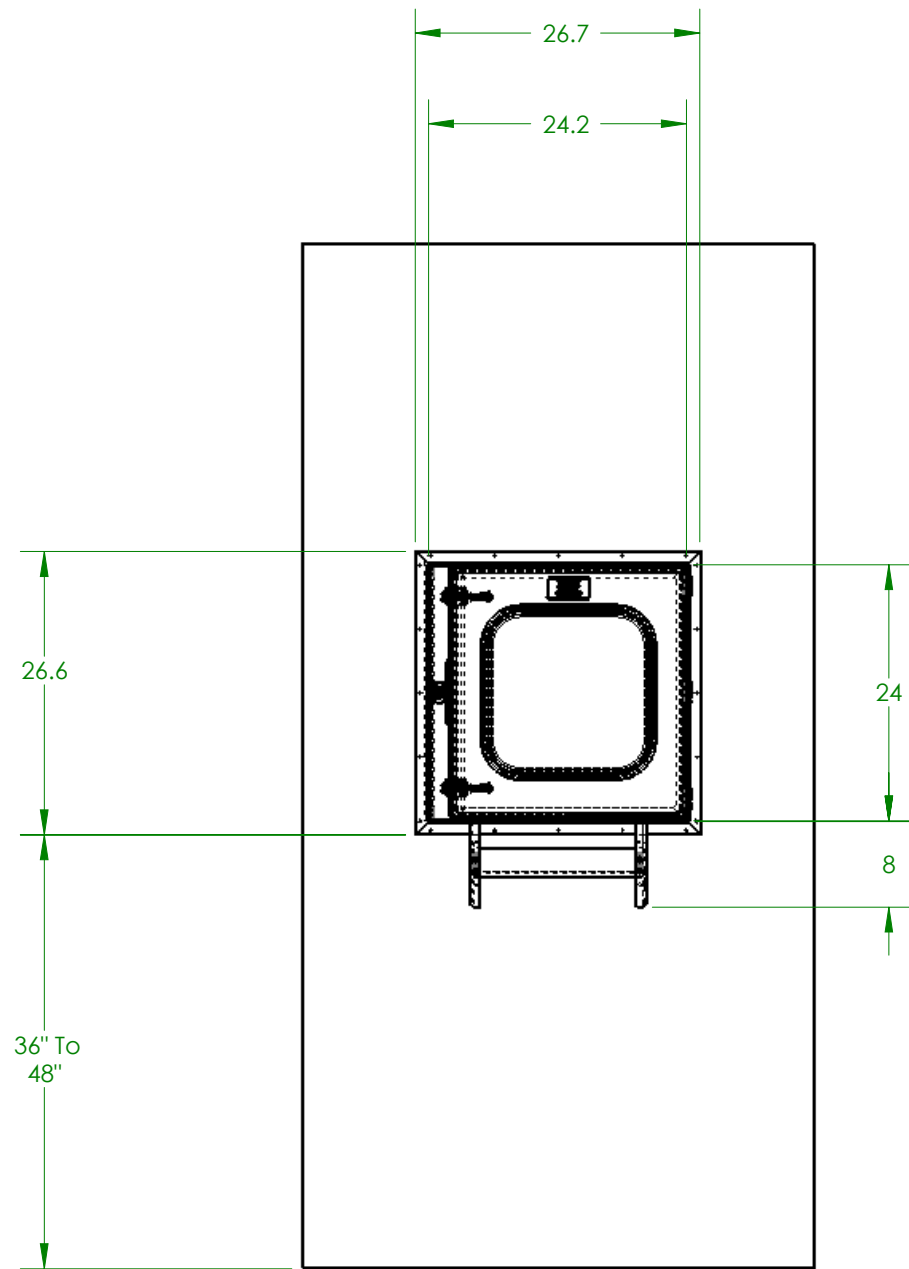
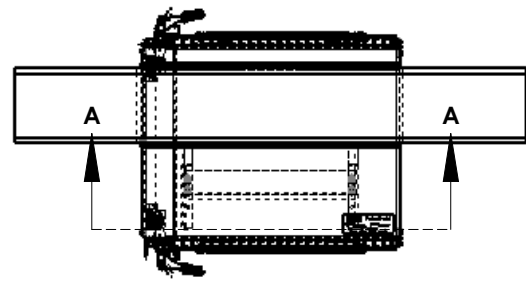
This print is the property of TBJ Incorporated. The information contained herein is confidential, it is not transferable. It is furnished with the clear understanding that it is not to be traced, reproduced or used in any process of manufacturing without written permission from the owner and is returnable upon request. Any infringement upon the patent rights shown herein, whether in whole or part, will be severely prosecuted.

TBJ Inc.
 1671 Orchard Drive, Chambersburg, PA 17201
 phone 717-261-9700 www.tbjinc.com
CONFIDENTIAL DOCUMENT

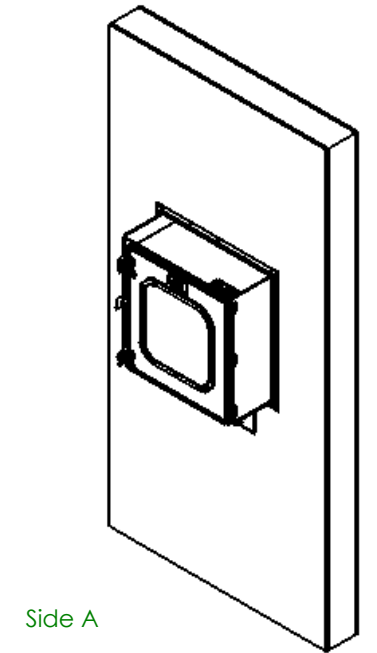
Pass Thru with Exhaust

Material: Assembly

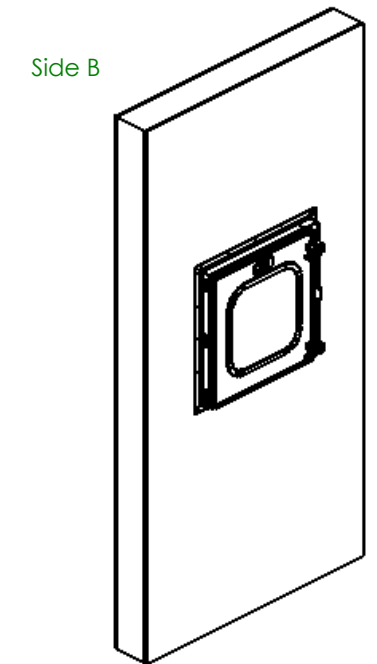
LTR	DESCRIPTION	DATE	BY	SIZE	PART NO.	REV.
	REVISIONS			B	PT 24-24-18_1104-3	#
				SCALE:	WEIGHT: 85.02	SHEET 1 OF 4



SECTION A-A
SCALE 1 : 18



Side A



Side B

CONSTRUCTION NOTES

- Cut hole thru the wall 24-1/2" high and 25" wide
- Install Pass Thru thru the wall
- Fasten wall mount support to wall and to Pass Thru if needed
- Re-seal wall opening as required
- Install trim angles

APPROVED

Print Name: _____

Date: _____

Signature: _____

This print is the property of TBJ Incorporated. The information contained herein is confidential, it is not transferable. It is furnished with the clear understanding that it is not to be traced, reproduced or used in any process of manufacturing without written permission from the owner and is returnable upon request. Any infringement upon the patent rights shown herein, whether in whole or part, will be severely prosecuted.

TBJ Inc.
1671 Orchard Drive, Chambersburg, PA 17201
phone 717-261-9700 www.tbjinc.com
CONFIDENTIAL DOCUMENT

Pass Thru with Exhaust

Material: Assembly		REV. #
SIZE	PART NO.	
B	PT 24-24-18_1104-3	#
SCALE:	WEIGHT: 93.04	SHEET 2 OF 4