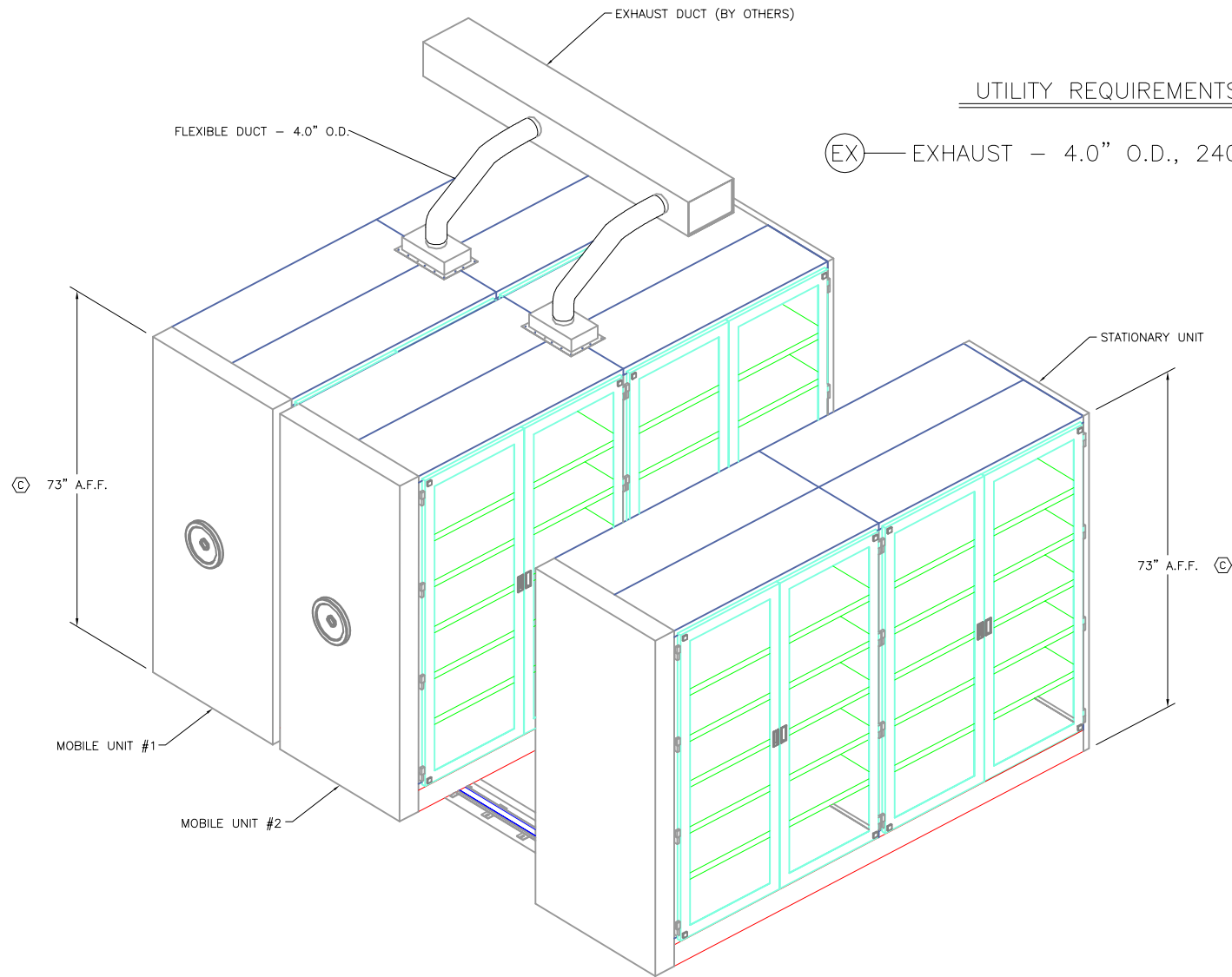


UTILITY REQUIREMENTS

(EX) — EXHAUST — 4.0" O.D., 240 CFM EA. (60 CFM PER CHAMBER) (D)

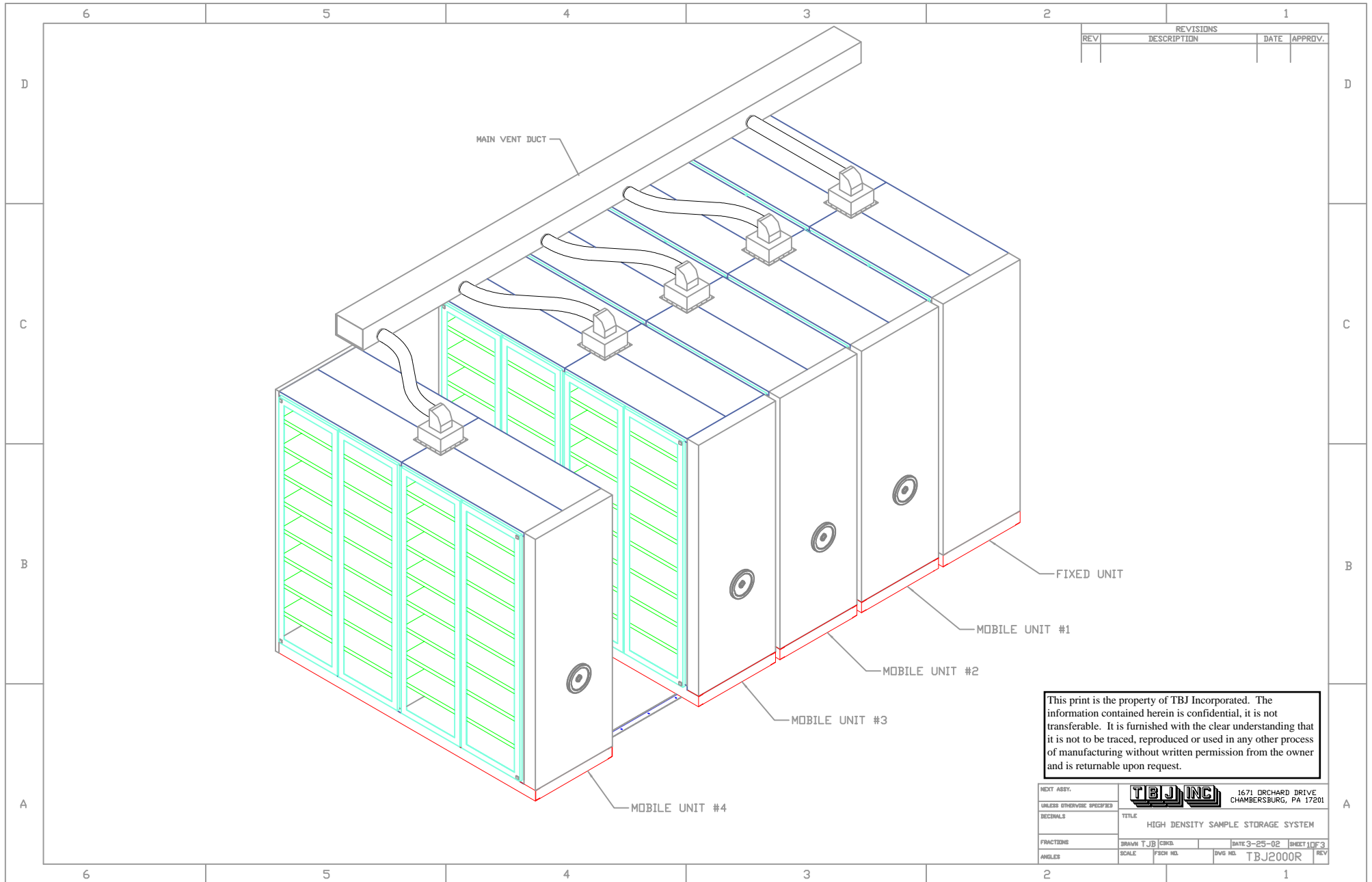


APPROVED

PRINT NAME:
DATE:
SIGNATURE:

This print is the property of TBJ Incorporated. The information contained herein is confidential, it is not transferable. It is furnished with the clear understanding that it is not to be traced, reproduced or used in any other process of manufacturing without written permission from the owner and is returnable upon request.

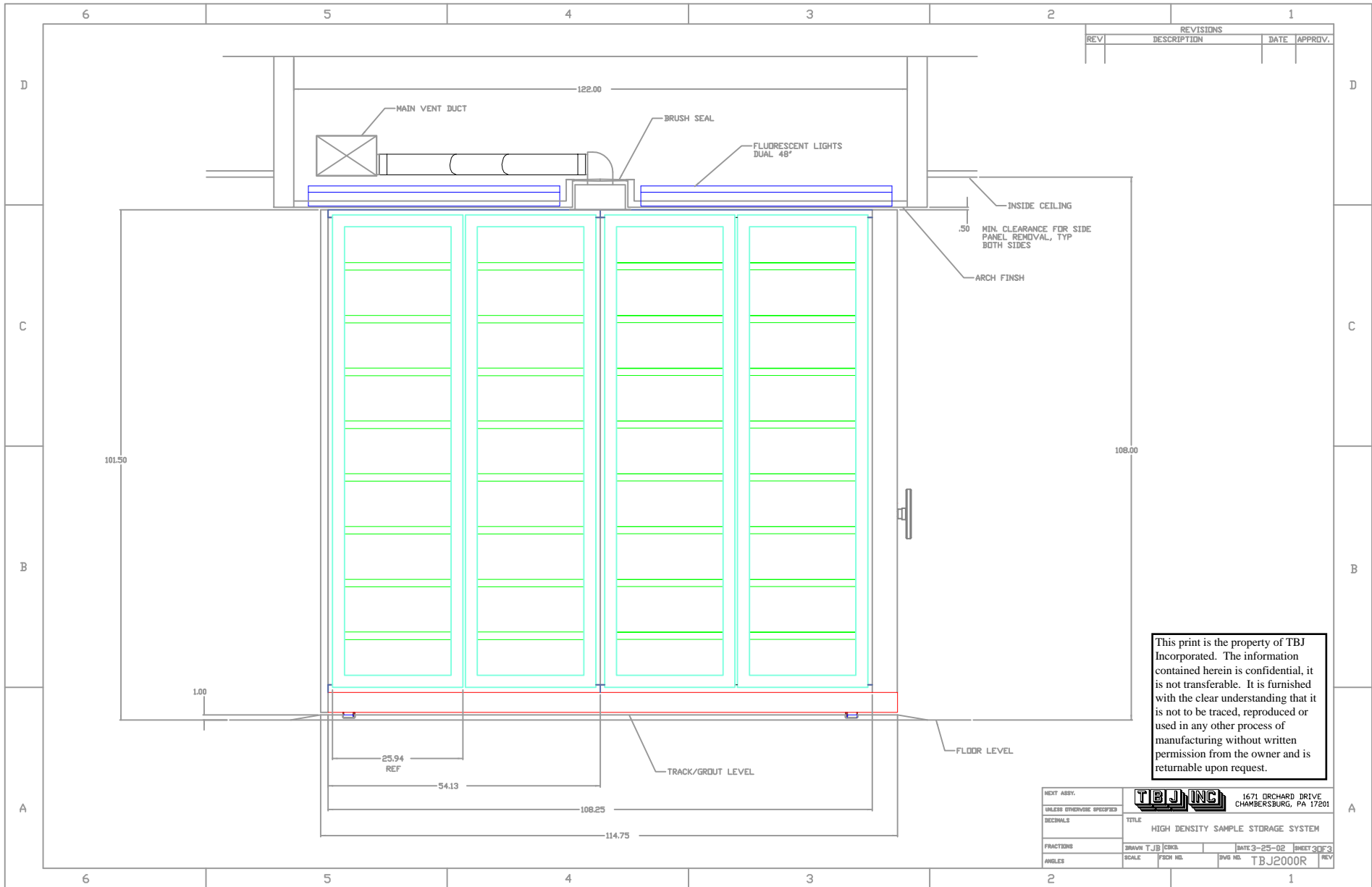
	D REMOVED EX CONNECTION FROM STATIONARY UNIT & UPDATED CFM REQ'D FOR EA. UNIT	ALE	1-3-07	TBJ INC	1671 ORCHARD DRIVE CHAMBERSBURG, PA 17201
C	REDUCED CABINET'S HT. 110" 73.0" was 84.0"	ALE	10-19-06	SCALE N.T.S. REF DWG - R06010	SHT 1 OF 5 DRAWN BY ALE DATE 8-9-06
B	UPDATED NOTES & SPECIFICATIONS	ALE	10-13-06	MODEL 36-112 HDS HIGH DENSITY SAMPLE STORAGE SYSTEM	
A	INCREASED CEILING HT. 10" ON SHIT 3 OF 3; 102' WAS 92"	ALE	9-18-06		
LET	REVISION	BY	DATE	ROUGH-IN ASSEMBLY	R06206



REVISIONS			
REV	DESCRIPTION	DATE	APPROV.

This print is the property of TBJ Incorporated. The information contained herein is confidential, it is not transferable. It is furnished with the clear understanding that it is not to be traced, reproduced or used in any other process of manufacturing without written permission from the owner and is returnable upon request.

NEXT ASSY.	TBJ INC			1671 ORCHARD DRIVE CHAMBERSBURG, PA 17201
UNLESS OTHERWISE SPECIFIED	TITLE HIGH DENSITY SAMPLE STORAGE SYSTEM			
DECIMALS	DRAWN TJB CRKD DATE 3-25-02 SHEET 1 OF 3			
FRACTIONS	SCALE	FSCH. NO.	DWG. NO.	REV
ANGLES			TBJ2000R	



REVISIONS			
REV	DESCRIPTION	DATE	APPROV.

This print is the property of TBJ Incorporated. The information contained herein is confidential, it is not transferable. It is furnished with the clear understanding that it is not to be traced, reproduced or used in any other process of manufacturing without written permission from the owner and is returnable upon request.

NEXT ASSY. UNLESS OTHERWISE SPECIFIED SECONDALS FRACTIONS ANGLES	TBJ INC 1671 ORCHARD DRIVE CHAMBERSBURG, PA 17201 TITLE HIGH DENSITY SAMPLE STORAGE SYSTEM DRAWN T.J.B. C.B.G. SCALE DATE 3-25-02 SHEET 3 OF 3 DWG NO. TBJ2000R REV
--	--