

**APPROVED**

Print Name:

Date:

Signature:

SHELF MODEL (DEPTH x WIDTH)					
12" x 24"	12" x 40"	12" x 56"	12" x 72"	12" x 88"	12" x 104"
12" x 28"	12" x 44"	12" x 60"	12" x 76"	12" x 92"	12" x 108"
12" x 32"	12" x 48"	12" x 64"	12" x 80"	12" x 96"	12" x 112"
12" x 36"	12" x 52"	12" x 68"	12" x 84"	12" x 100"	12" x 116"

SHELF RAIL (LENGTH)				
20"	32"	40"	60"	80"

ADJUSTABLE BRACKETS	
R12 - 12" RIGHT HAND	L12 - 12" LEFT HAND

**RAILS SHOULD BE SELECTED AS FOLLOWED:**

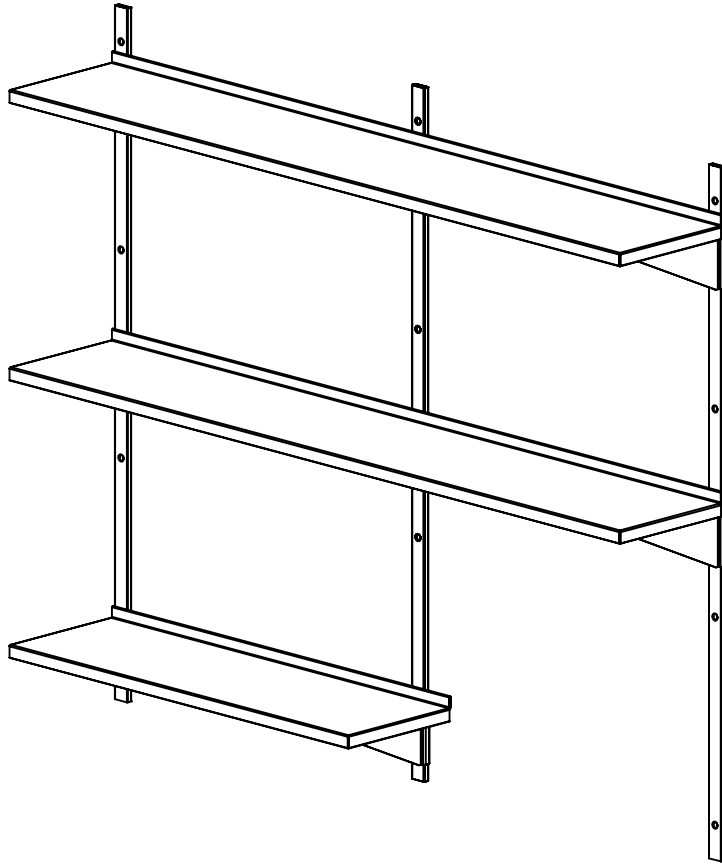
(1) SHELF 20" RAILS, (2) SHELVES 32" RAILS,  
 (3) SHELVES 40" RAILS AND (4) SHELVES 60" RAILS

**RECOMMENDED NUMBER OF ADJ. RAILS:**

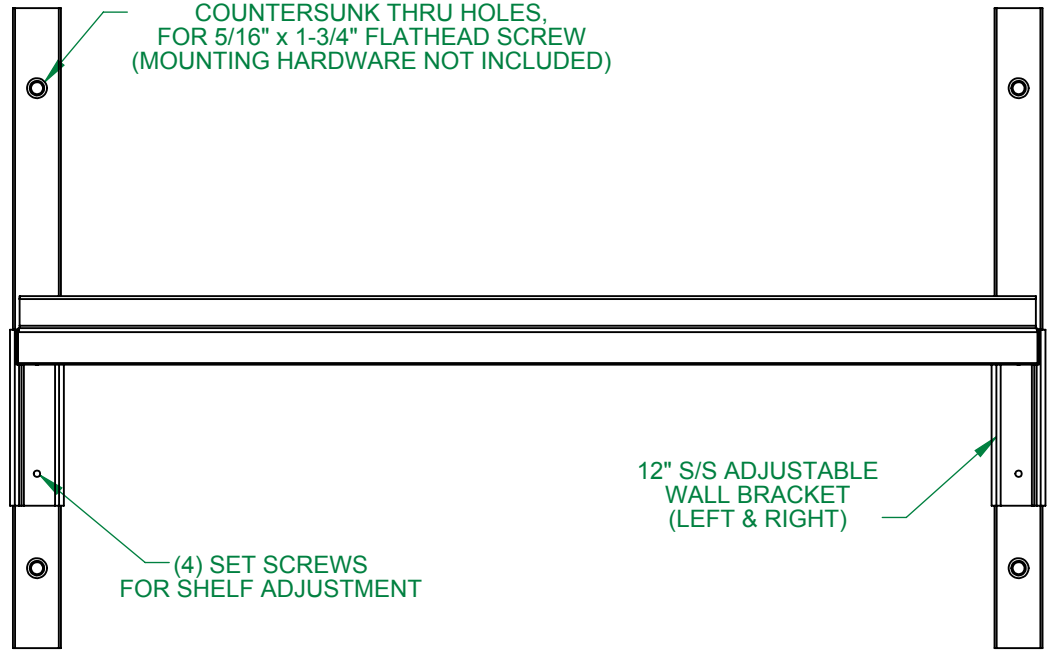
UP TO 60" SHELF LENGTH - (2) RAILS/BRACKETS  
 BETWEEN 60" - 116" SHELF LENGTHS - (3) RAILS/BRACKETS

**BRACKETS:**

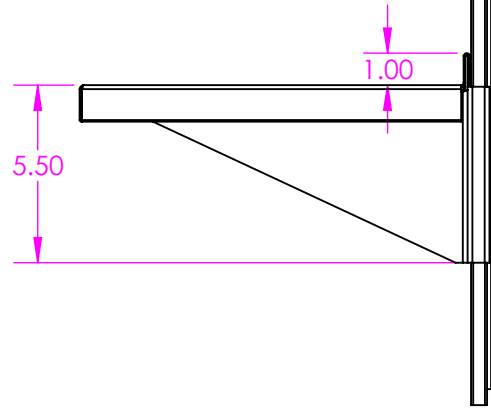
(2) RAILS - 2 BRACKETS REQUIRED  
 (3) RAILS - 3 BRACKETS REQUIRED  
 (CENTER BRACKET CAN BE LEFT OR RIGHT)



CUSTOM SHELVING CONFIGURATION



NOTE: 14 GA STAINLESS STEEL T304 #4 FINISH MAT'L CONSTRUCTION



NOTE: ALL WELDS / CORNERS GROUND SMOOTH & POLISHED

1671 Orchard Drive  
 Chambersburg, PA 17201  
 Phone 717-261-9700  
 www.tbjinc.com

DATE: 1/12/2010 Drawn By - NES Ref DWG -SSWS-1232-C  
 TITLE: **S/S WALL SHELVES 12" COMPLETE**

MATERIAL:	
SIZE	PART NO.
<b>B</b>	<b>R10003</b>
REV.	#

LTR	DESCRIPTION	DATE	BY
	REVISIONS		

SCALE: 1:8	WEIGHT: 13.94	SHEET 1 OF 1
------------	---------------	--------------