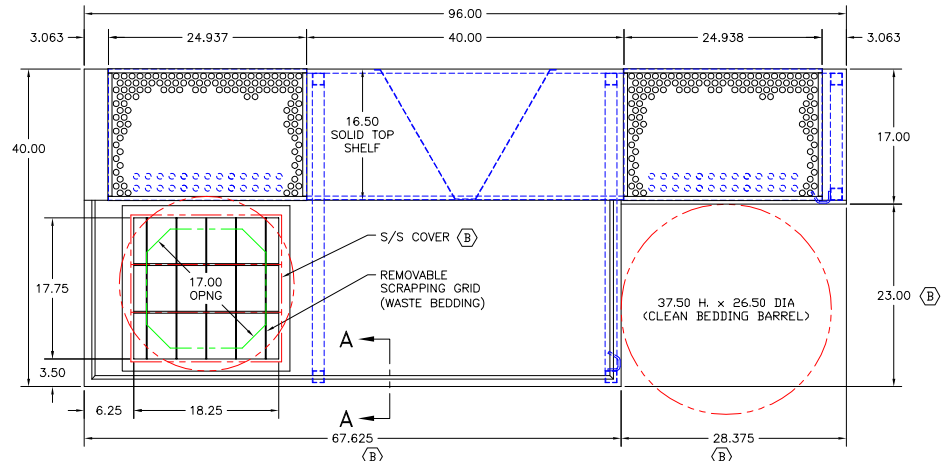


SECTION B-B



UTILITY REQUIREMENTS

- (E) ELECTRICAL - 115 V., 1 PH., 60 Hz., 15 AMP
- (1) GFCI PROTECTED RECEPTACLE
- REQUIRED FOR (2) POWER CORDS

INCLUDED OPTIONS

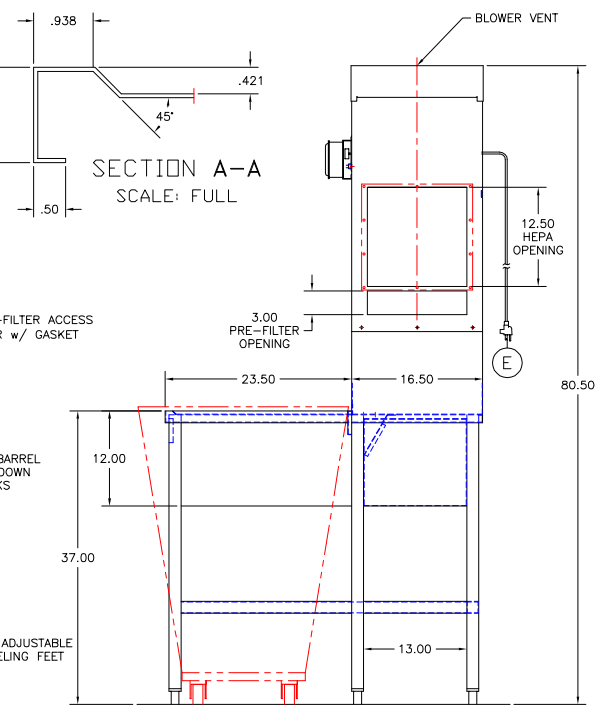
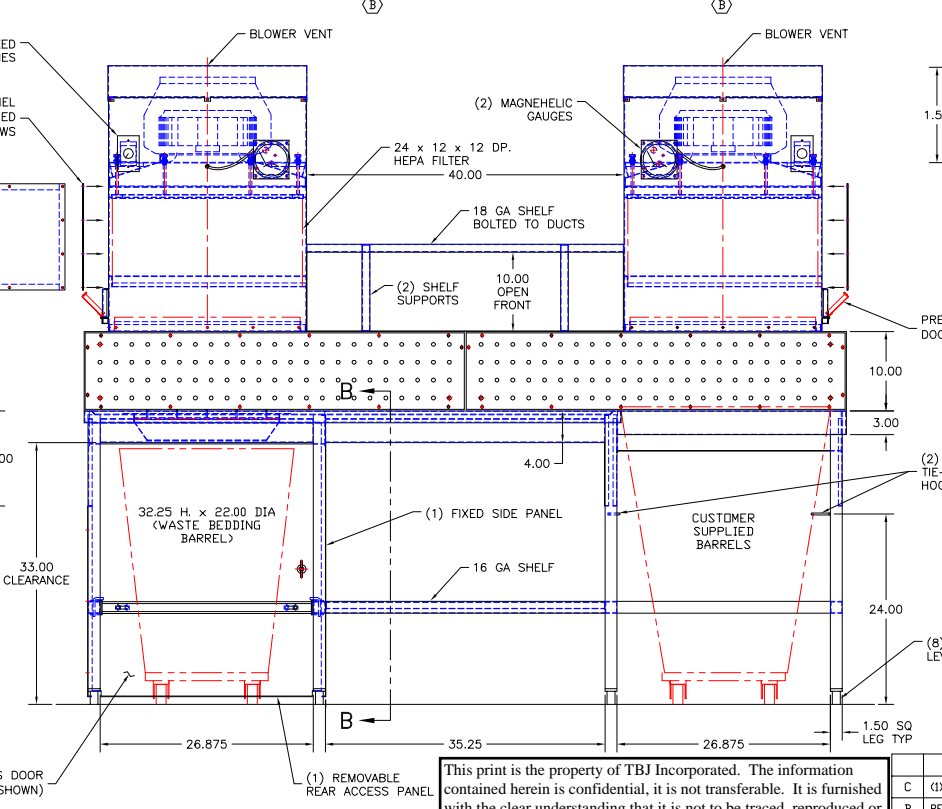
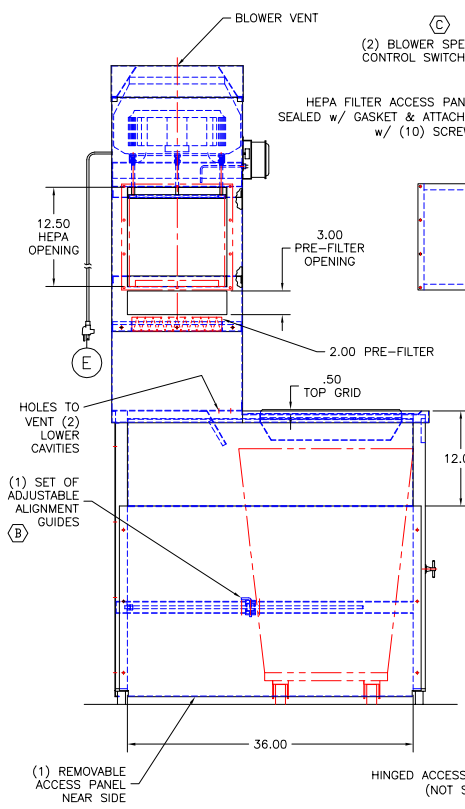
- (2) SELF CONTAINED FILTER/BLOWER SYSTEMS
- (EACH 750 CFM) 1/10 HP MOTOR

APPROVED

PRINT NAME: \_\_\_\_\_

DATE: \_\_\_\_\_

SIGNATURE: \_\_\_\_\_



SECTION A-A  
SCALE: FULL

This print is the property of TBJ Incorporated. The information contained herein is confidential, it is not transferable. It is furnished with the clear understanding that it is not to be traced, reproduced or used in any other process of manufacturing without written permission from the owner and is returnable upon request.

C	(1) BLOWER CONTROL MOVED FOR ACCESS	JEG	2-21-08	SCALE NTS	1187-1	DRAWN BY JEG
B	REVISED PER CUSTOMER REQUEST	JEG	9-28-07	REF DWG - R06140		DATE 8-27-07
A	ADDED SHELF & MOTOR HP	JEG	8-30-07	40-96 BD-SC BACKDRAFT TABLE		
LET	REVISION	BY	DATE	ROUGH-IN ASSY		
				R07162		

**TBJ INC** 1671 ORCHARD DRIVE  
CHAMBERSBURG, PA 17201