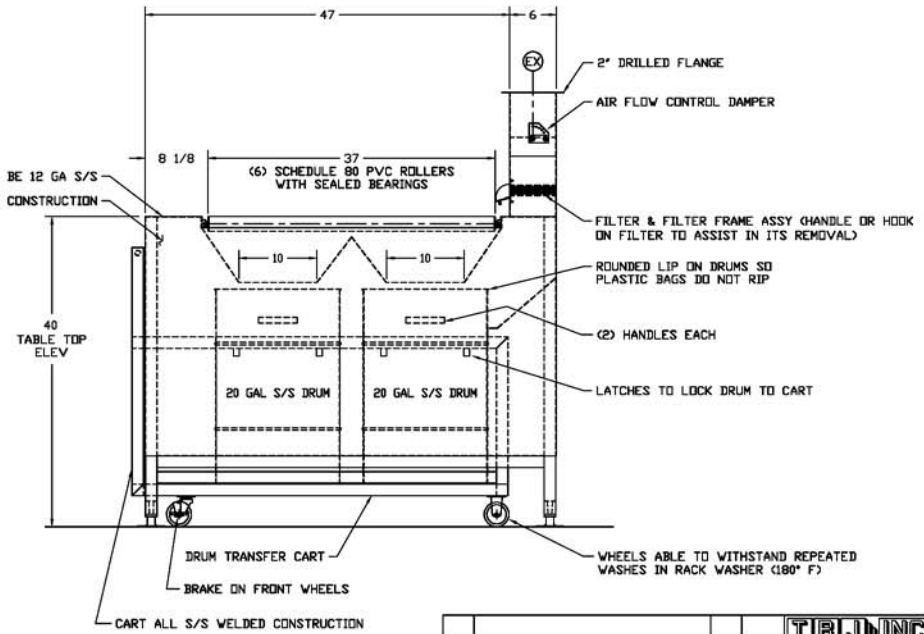
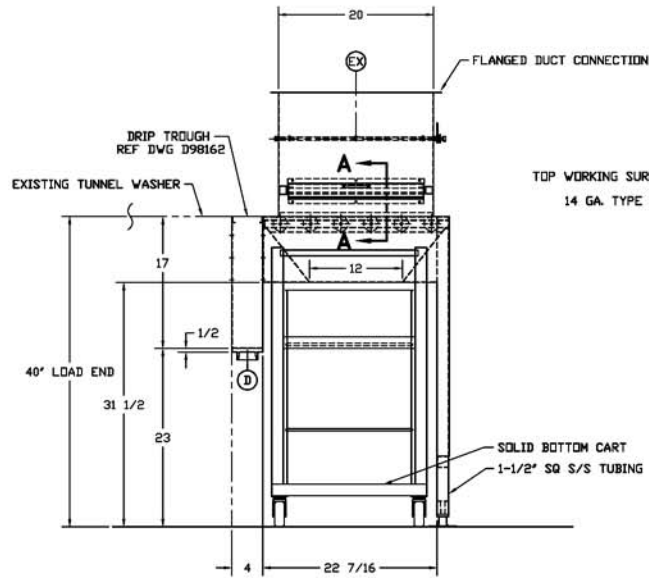


SECTION A-A

UTILITY REQUIREMENT
 (EX)----- EXHAUST - 6 x 20 D.S., 1000 CFM, .5 S.P.
 (CONTRACTOR TO COORDINATE)

APPROVED



TBJ INC		1671 ORCHARD DRIVE CHAMBERSBURG, PA 17201	
SCALE	NTS	DRAWN BY	CVF
REF DWG	R90021	DATE	11-19-02
DOWNDRAFT SCRAPPING TABLE			
LET	REVISION	BY	DATE
		BSS-2DD	R02229