

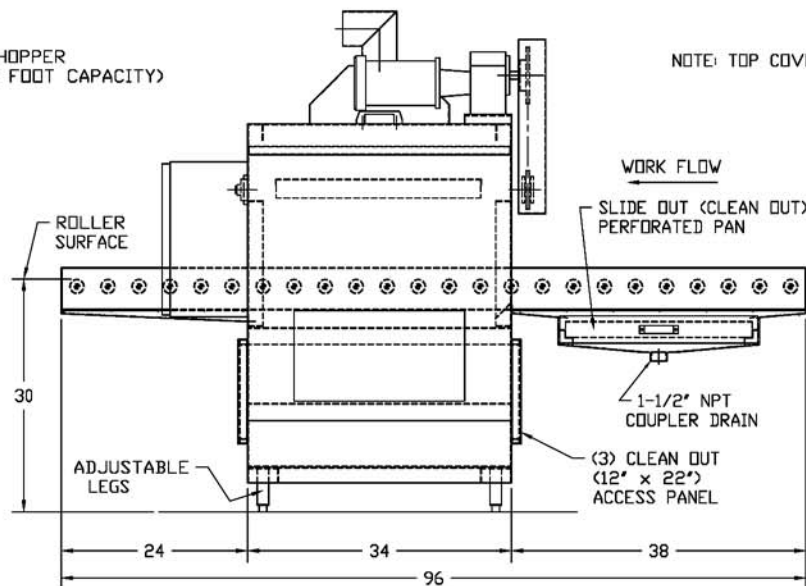
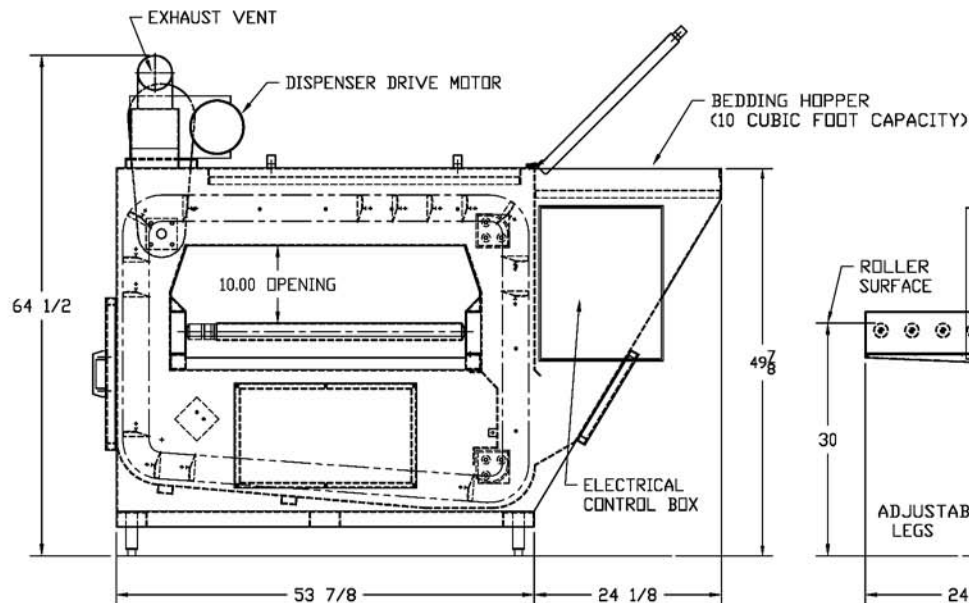
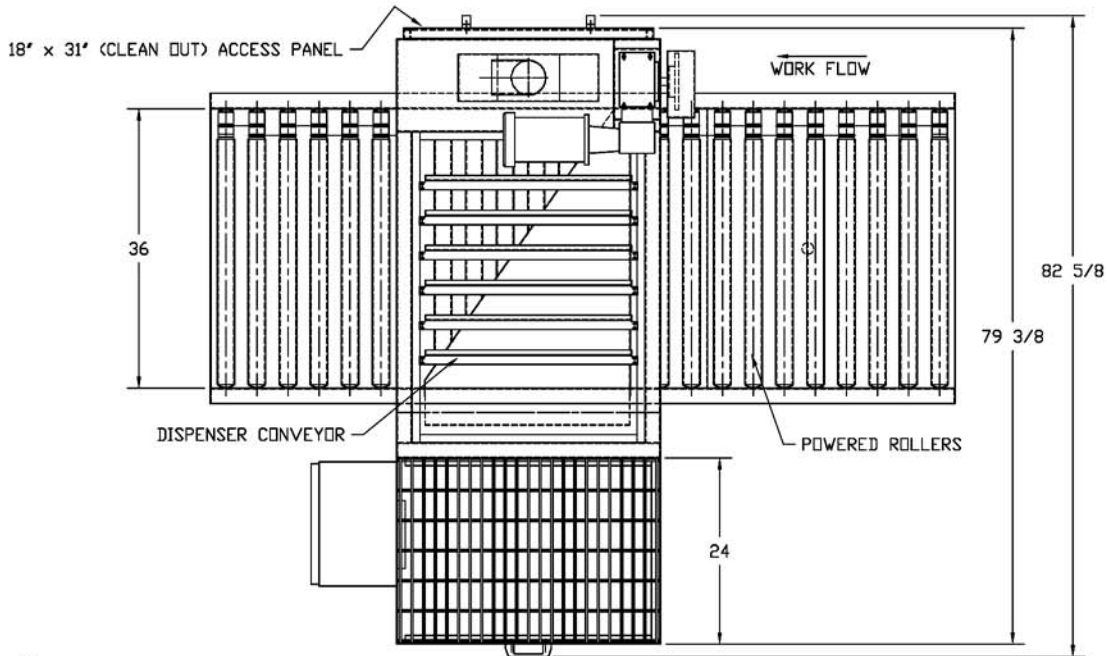
UTILITY REQUIREMENTS

(E) — ELECTRICAL — 115 V., 1 PH., 60 Hz., 20 AMP

(V) — VENT — 4-1/2" O.D., 1200 CFM.

CUSTOMER TO PROVIDE A FUSED DISCONNECT SWITCH FOR ELECTRICAL SERVICE

APPROVED



This print is the property of TBJ Incorporated. The information contained herein is confidential, it is not transferable. It is furnished with the clear understanding that it is not to be traced, reproduced or used in any process of manufacturing without written permission from the owner and is returnable upon request. Any infringement upon the patent rights shown herein, whether in whole or part, will be severely prosecuted.

LET	REVISION	BY	DATE
<b>TBJ INC</b>			
1671 ORCHARD DRIVE CHAMBERSBURG, PA 17201			
SCALE: 1-1/2"=1'-0"	DRAWN BY: ALE	DATE: 10-30-98	
AUTOMATIC BEDDING DISPENSER			
MODEL: BD-3600-RH		R98073	