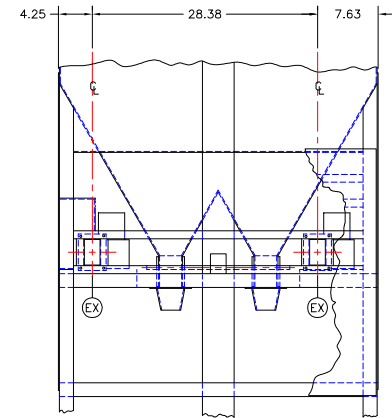
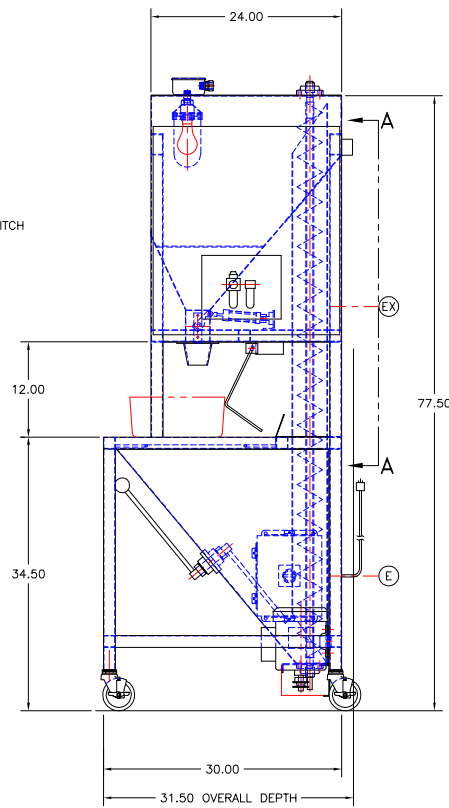
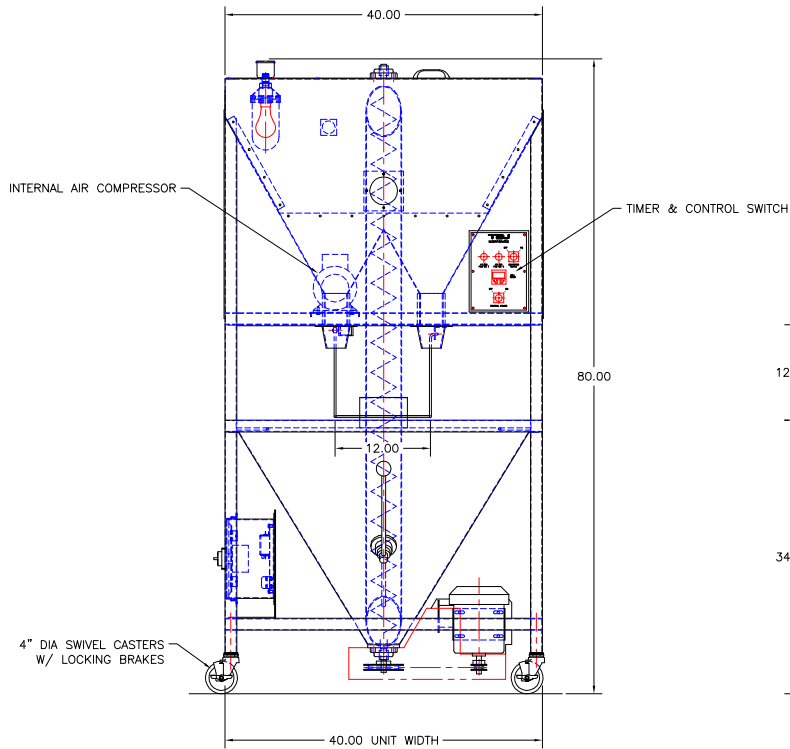


UTILITY REQUIREMENTS

ⓔ --- ELECTRICAL --- 115V., 1PH., 60Hz., 15 AMP.
WALL OUTLET TO ACCEPT A 3-PRONG PLUG WITH AN 8 FT. LONG CORD

APPROVED

PRINT NAME:
DATE:
SIGNATURE:



VIEW A-A
SCALE: 1-1/2"=1'-0"

NOTES: 1) MAX. OVERALL DIMENSIONS MUST BE CONSIDERED FOR BUILDING ENTRY.
2) ALL SEISMIC ANCHORING AND ANALYSIS IS BY OTHER.

		TBJ INC		1671 ORCHARD DRIVE CHAMBERSBURG, PA 17201	
		SCALE: 1-1/2"=1'-0"		DRAWN BY JEG	
		REF DWG - R07028		DATE 3-19-07	
A		TOP OF HOPPER WAS 76.00, NOW 77.50		JEG 8-8-07	
LET		REVISION		BY DATE	
				BD-2000 BEDDING DISPENSER	
				ROUGH-IN	
				R07044	