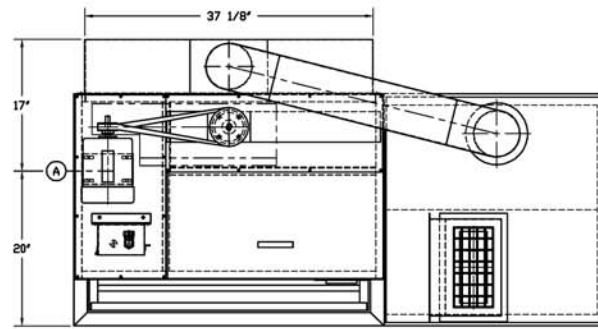


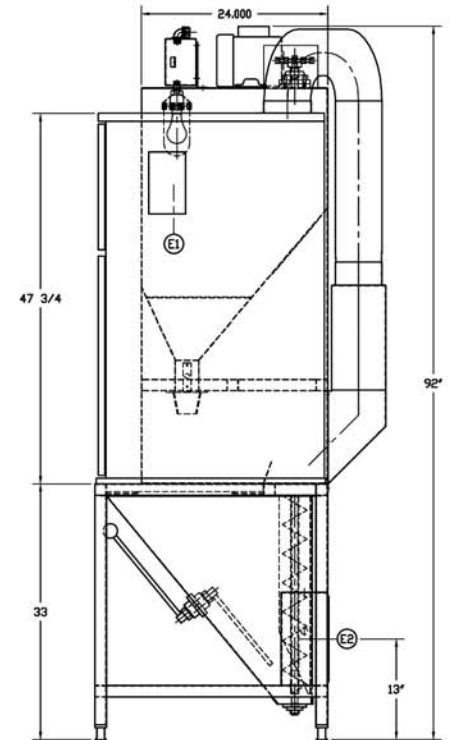
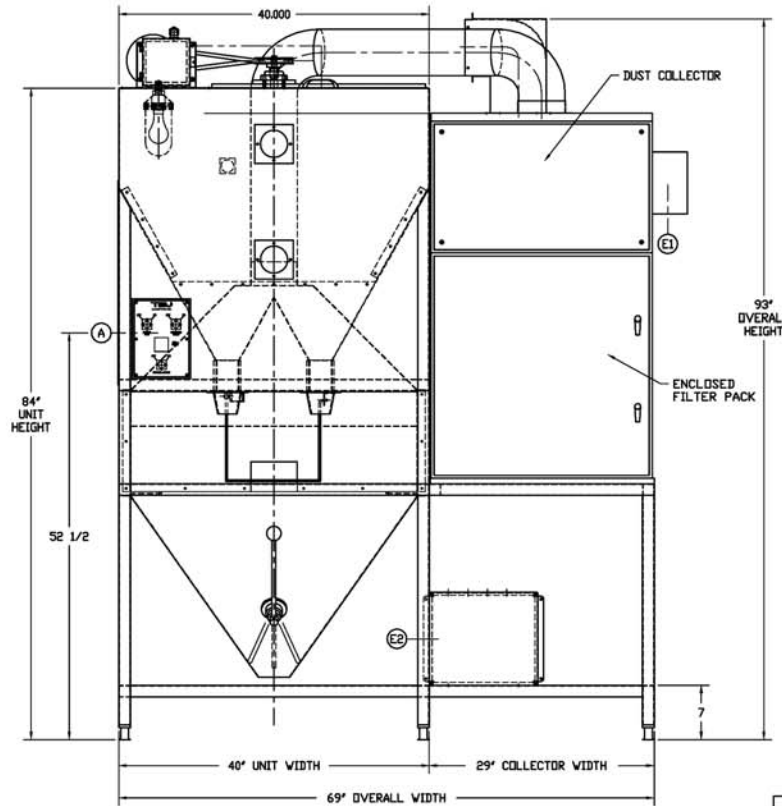
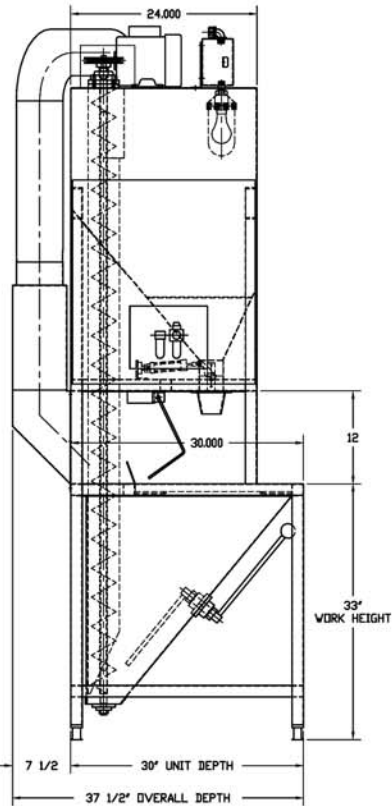
**APPROVED**

PRINT NAME:  
DATE:  
SIGNATURE:



**UTILITY REQUIREMENTS**

- ⓔ1 — ELECTRICAL (DUST COLLECTOR)-----220/240V., 1PH., 60Hz.
- ⓔ2 — ELECTRICAL (DISPENSER)-----115 V., 1 PH., 60 Hz., 1/3 HP.
- ⓐ — COMPRESSED AIR--1/4" NPT., 15 PSI MIN., .1 CFM



NOTES: 1) MAX. OVERALL DIMENSIONS MUST BE CONSIDERED FOR BUILDING ENTRY.

		<b>TBJ INC</b>		1671 ORCHARD DRIVE CHAMBERSBURG, PA 17201	
		SCALE: 1-1/2"=1'-0"		DRAWN BY: ALE	
		REV: DWG -		DATE: 6-20-00	
FINAL ASSEMBLY					
LET	REVISION	BY	DATE	BD-2000-DC	R00074