

# TBJ Model 76-08 BD

## Wall Mounted Backdraft Workstation (ref. dwg. R03035)

### Description:

The TBJ Model 76-08 BD Wall-mounted Backdraft Workstation is designed to provide a ventilated workstation that shall function to pull air, odors, vapors and aerosols back and away from the face of personnel when connected to a negative air source. Chemicals such as formalin, alcohol and xylene are controlled and can be kept below OSHA permissible exposure limits thus providing a healthier, safer work environment. This unit is designed to provide space saving flexibility by utilizing a mobile worktable that docks to the wall mounted backdraft plenum assembly. When not in use, the table can be un-docked and rolled away for out of the way storage.

### Standard Design and Construction:

Overall dimensions of the wall-mounted backdraft plenum assembly shall be 76" wide x 11" deep. Two removable exhaust risers shall be provided extending 108" above the finished floor. The overall mobile table dimensions shall be 33" wide x 72" long. The work surface height shall be 30" high.

The mobile table and wall-mounted backdraft plenum assembly shall utilize Type 316 stainless steel construction. All welds shall be heliarc. All exposed welds shall be ground to a seamless polished finish. The main body of the table shall be comprised mainly of 14 gauge and 16 gauge prime material with a #4 finish.

The mobile table shall have an 1 1/2" x 16 gauge wall tubular base frame with (4) 5" diameter swivel casters with brakes.

The backdraft assembly shall utilize a stainless steel backdraft plenum that includes (2) removable perforated exhaust panels constructed of 18 gauge T316 stainless steel with a #4 finish to create a uniform backdraft air velocity across the entire work surface. The backdraft plenum shall be 10" high x 8" deep. The assembly shall be mounted to the wall via (2) 1 1/2" x 1 1/2" structural angles.

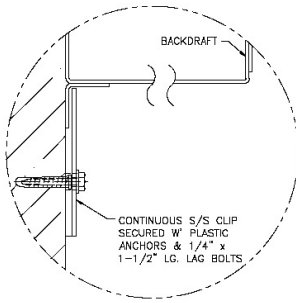
Two removable 8" x 12" exhaust duct risers shall be located on the top of the plenum and terminate 108" above the finished floor.

The mobile table work surface shall be made a flat stainless steel work surface reinforced underneath with hat brace channels for stability and re-enforcement

The mobile table and backdraft plenum assembly shall incorporate (2) push/pull clamps to enable the mobile table to be securely docked to the backdraft assembly.

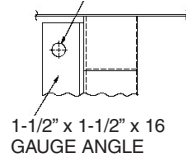
The backdraft plenum assembly shall include a utility enclosure for GFCI outlets and data outlets. Each service shall include a waterproof cover. Access to the utility enclosure and connections shall be made through a removable access panel.

**TBJ Model 76-08 BD  
Wall Mounted Backdraft  
Workstation (ref. dwg. R03035)**

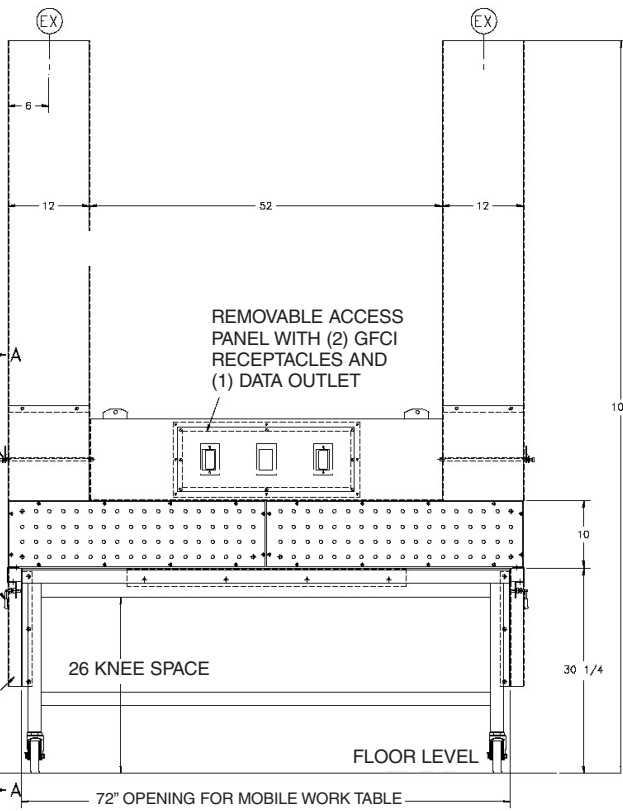
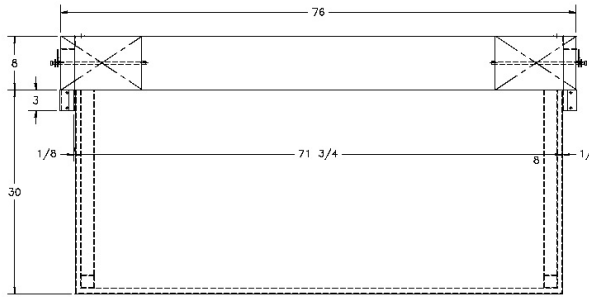


DETAIL "C"

AFTER CLIP IS SECURED THE COUNTER TOP IS HUNG & HOLES ARE MARKED & DRILLED FOR PLASTIC ANCHORS. 5/16" x 1-1/2" LAG BOLTS ARE THEN APPLIED.



1-1/2" x 1-1/2" x 16 GAUGE ANGLE



ADJUSTABLE AIRFLOW DAMPER CONTROL

PUSH/PULL CLAMP TO LOCK WORK TABLE IN A STATIONARY POSITION

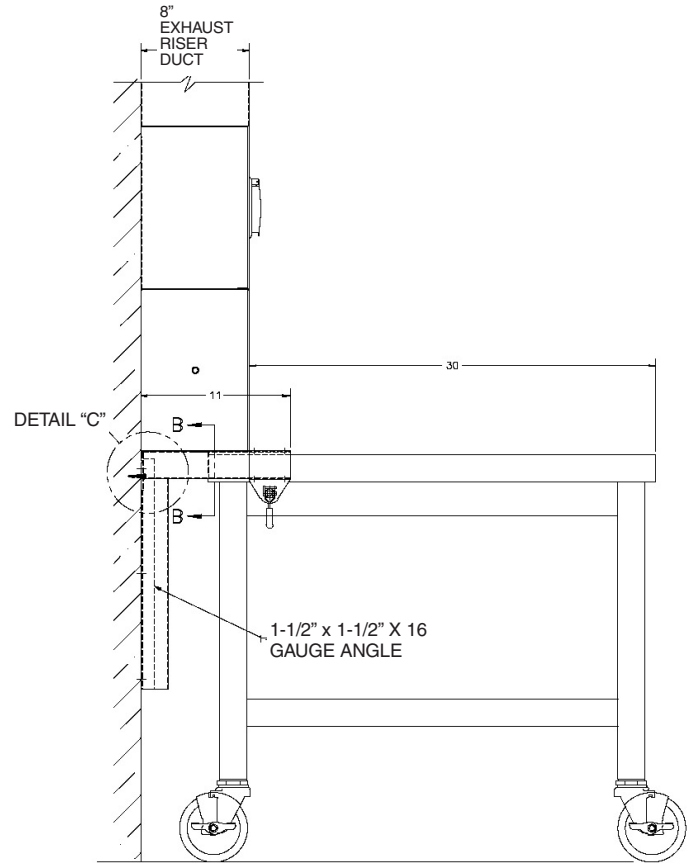
SUPPORTS MOUNTED FLUSH AGAINST WALL

REMOVABLE ACCESS PANEL WITH (2) GFCI RECEPTACLES AND (1) DATA OUTLET

26 KNEE SPACE

FLOOR LEVEL

72" OPENING FOR MOBILE WORK TABLE



DETAIL "C"

1-1/2" x 1-1/2" X 16 GAUGE ANGLE

Specification and drawing are subject to change without notice unless certified by factory.

**Utility Requirements**

E --- Electrical - 115 V., 1 PH., 60 Hz., 15 AMP

EX --- Exhaust - (2) @ 8" x 12"

**Warranty**

All components are warranted to be free from defects in material and workmanship for a period of one (1) year, when used in accordance with manufacturer's instructions.

**TBJ**  
INCORPORATED

1671 Orchard Drive  
Chambersburg, PA 17201  
Phone: (717) 261-9700  
Fax: (717) 261-1730  
Email: sales@tjinc.com  
www.tjinc.com