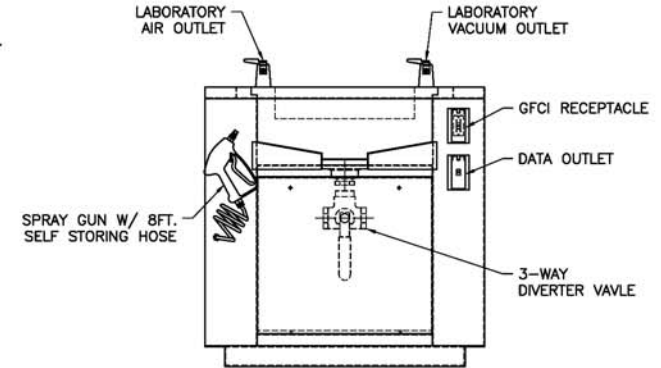


UTILITY REQUIREMENTS

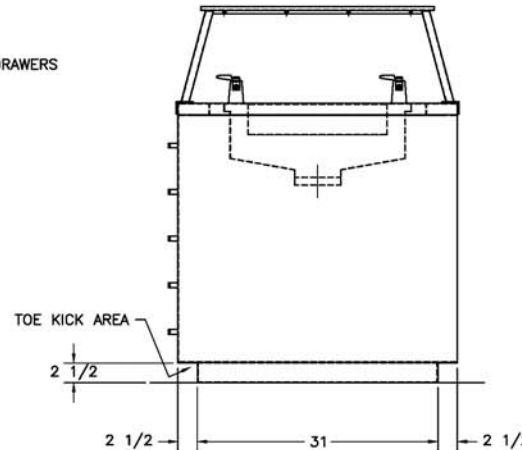
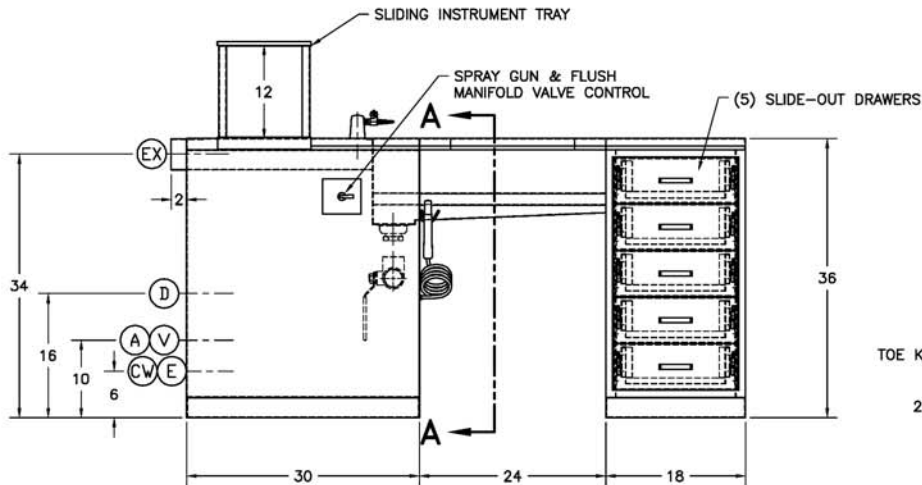
- (E) — ELECTRICAL — 115 V., 1 PH., 60 Hz., 15 AMP SERVICE
- (CW) — COLD WATER — 3/4" I.P.S.
- (D) — DRAIN — 1-1/2" I.P.S.
- (EX) — EXHAUST — 4" x 18", OUTSIDE DIMS., 290 CFM
- (A) — LABORATORY AIR — 3/8" I.P.S.
- (V) — LABORATORY VACUUM — 3/8" I.P.S.
- (D) — DATA OUTLET

APPROVED

PRINT NAME: _____
 DATE: _____
 SIGNATURE: _____



SECTION A-A



OPTIONAL ACCESSORIES

- GROUND FAULT CIRCUIT INTERRUPTER (GFCI) RECEPTACLE
- HAND SPRAY ASSEMBLY
- LABORATORY VACUUM CONNECTION
- LABORATORY AIR CONNECTION
- SLIDING INSTRUMENT TRAY
- COMPUTER DATA PORT
- 3-WAY STAINLESS STEEL DIVERTER VALVE
- WORK SURFACE DIVIDERS, (2) EACH

This print is the property of TBJ Incorporated. The information contained herein is confidential, it is not transferable. It is furnished with the clear understanding that it is not to be traced, reproduced or used in any process of manufacturing without written permission from the owner and is returnable upon request. Any infringement upon the patent rights shown herein, whether in whole or part, will be severely prosecuted.

		TBJ INC		1671 ORCHARD DRIVE CHAMBERSBURG, PA 17201	
		SCALE 1/2"=1'-0"		DRAWN BY ALE	
				DATE 2-27-02	
A		ADDED - 290 CFM TO EXHAUST		CWF 8-12-02	
LET		REVISION		BY DATE	
				36-72 DD WORKSTATION	
				ROUGH-IN ASSY	
				R02042	