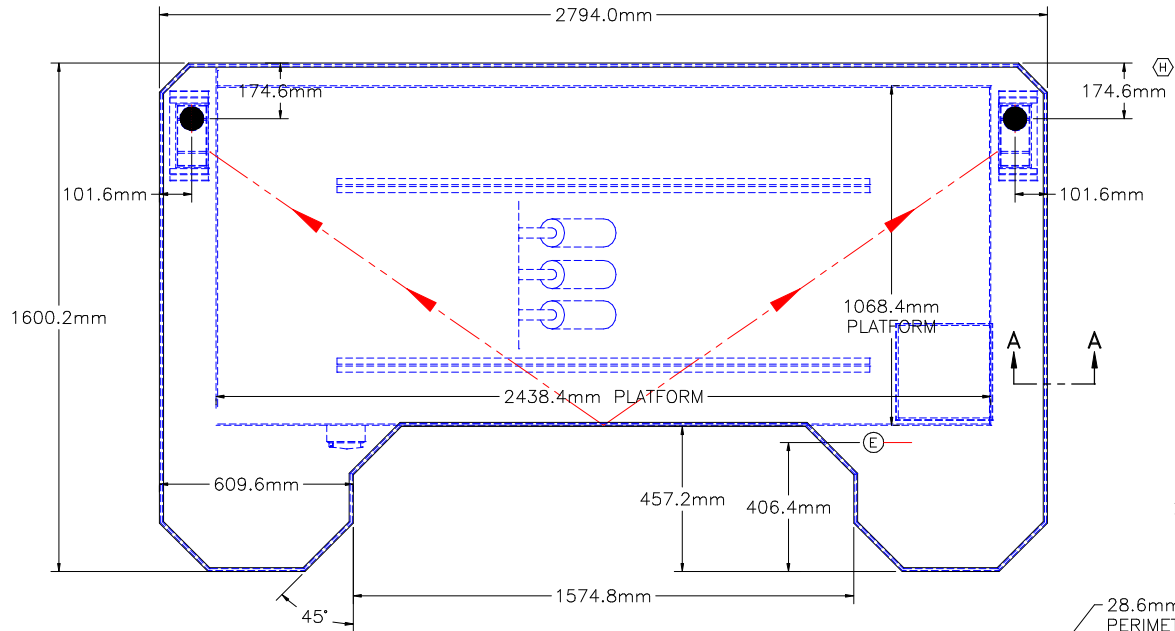


This print is the property of TBJ Incorporated. The information contained herein is confidential, it is not transferable. It is furnished with the clear understanding that it is not to be traced, reproduced or used in any process of manufacturing without written permission from the owner and is returnable upon request. Any infringement upon the patent rights shown herein, whether in whole or part, will be severely prosecuted.



SPECIFICATIONS

1. - CAPACITY: 4500 lbs
2. - VERTICAL TRAVEL: 36"
3. - TABLE SURFACE: 11 Ga T316 STAINLESS STEEL
4. - TABLE BASE AND PLATFORM: HEAVY STRUCTURAL STEEL, PAINTED
- (E) 5. - MOTOR: 1 HP., 220 V., 50 Hz., SINGLE PHASE
6. - HAND HELD PUSHBUTTON HEIGHT CONTROL
- (D) 7. - DRAIN CONNECTION - (2) @ 1-1/2" I.P.S.

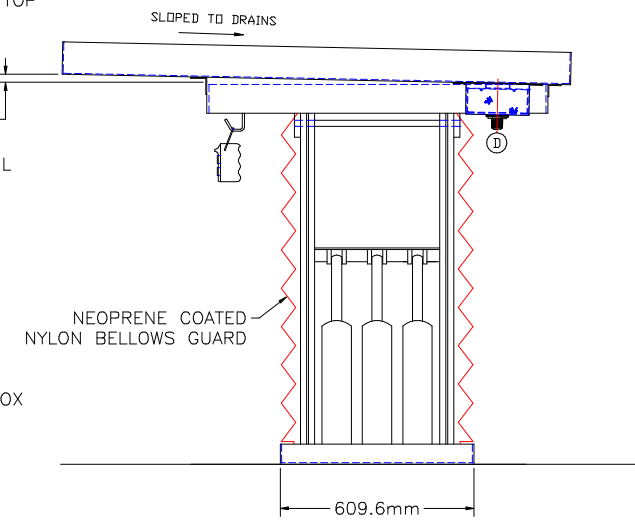
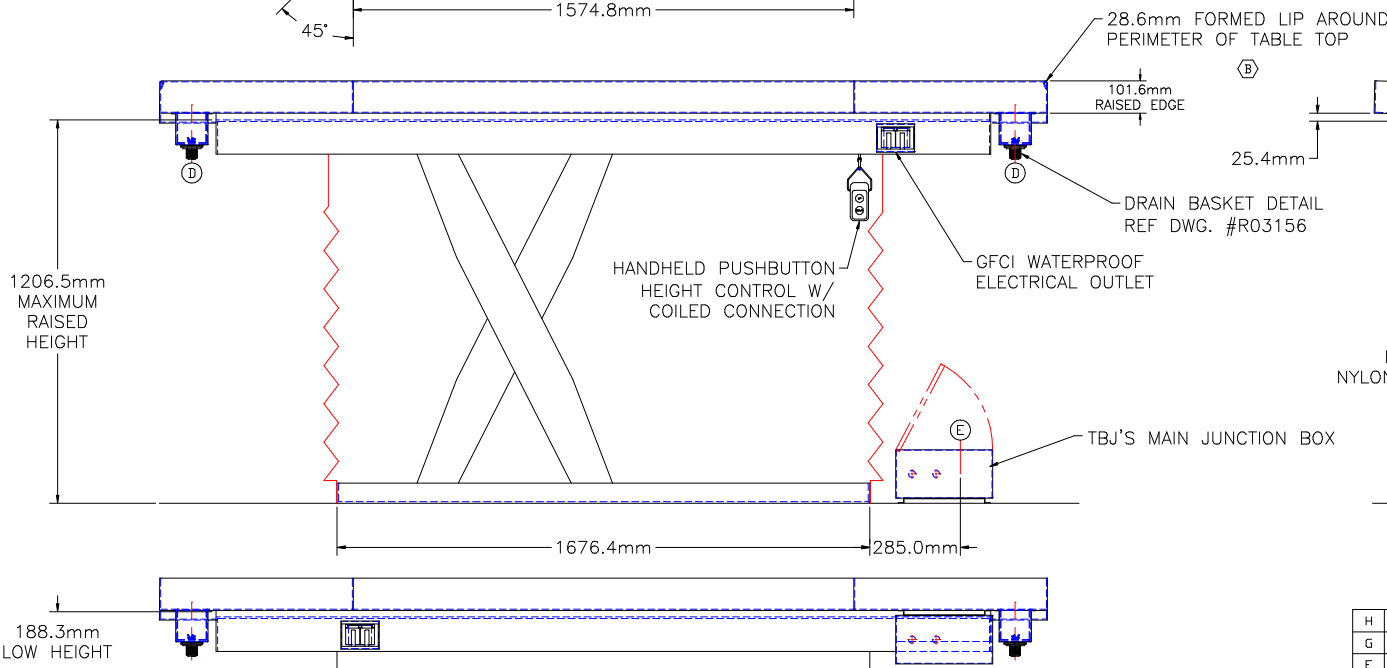
SECTION A-A
SCALE: 6"=1'-0"

APPROVED

PRINT NAME: _____

DATE: _____

SIGNATURE: _____



NOTE: BASKET STRAINER ARE INCLUDED WITH BOTH DRAIN CUPS

H	OFFSET DRAINS FROM DRAIN BASKETS	ALE	12-9-03	TBJ INC	1671 ORCHARD DRIVE CHAMBERSBURG, PA 17201
G	ADDED DRAIN BASKET DETAIL ON R03156	ALE	12-2-03		
F	REMOVED FOOT HT. CONTROL OPTION	ALE	11-25-03	SCALE 1-1/2"=1'-0"	DRAWN BY CWF
E	REVISED PER T. O'CONNOR - 11-11-03	ALE	11-13-03	REF DWG - R94071	DATE 8-19-03
D	REVISED PER T. O'CONNOR - 10-28-03	ALE	10-30-03	LARGE KIDNEY SHAPED TABLE	
LET.	REVISION	BY	DATE	ROUGH-IN R03112	