

UTILITY REQUIREMENTS

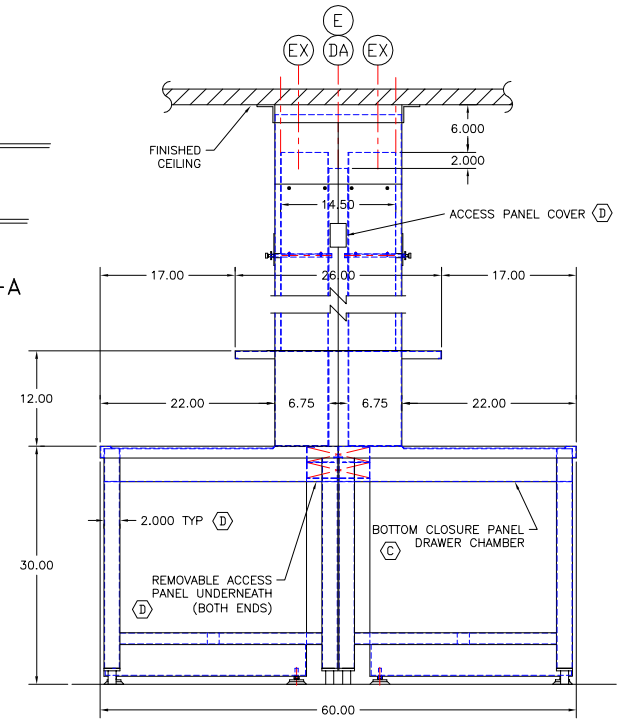
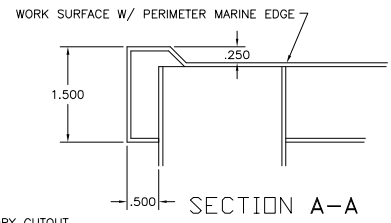
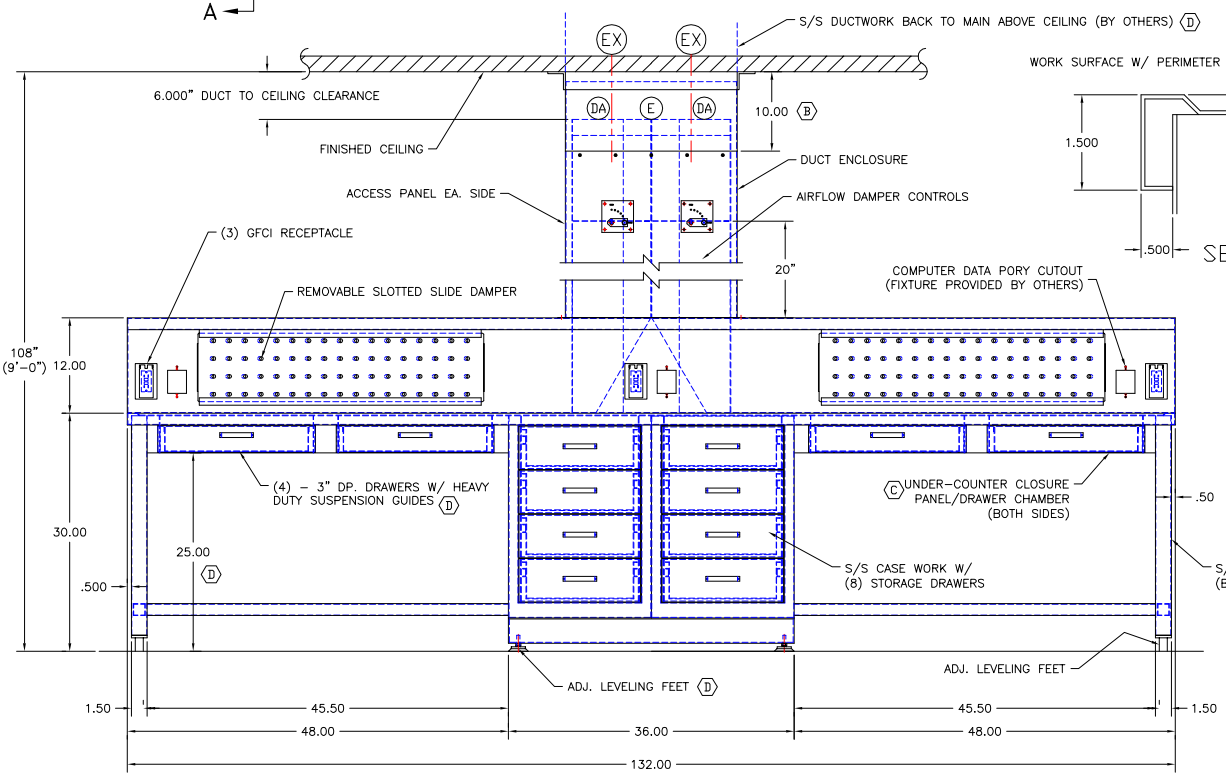
- ⓔ — ELECTRICAL — 115V., 1 PH., 60 Hz., 15 AMPS
- ⓔX — EXHAUST — (4) — 6" x 10" OUTSIDE DIMS.
- ⓓA — DATA CHASE — (FIXTURE PROVIDE BT OTHERS) ⓐ

APPROVED

PRINT NAME: \_\_\_\_\_

DATE: \_\_\_\_\_

SIGNATURE: \_\_\_\_\_



This print is the property of TBJ Incorporated. The information contained herein is confidential, it is not transferable. It is furnished with the clear understanding that it is not to be traced, reproduced or used in any other process of manufacturing without written permission from the owner and is returnable upon request.

D	UPDATED PER SIGNED APPROVED SUBMITTALS	ALE	12-5-06		1671 ORCHARD DRIVE CHAMBERSBURG, PA 17201
C	ADDED UNDER COUNTER CLOSURE PANELS	ALE	10-30-06		SCALE: NTS
B	UPDATED DUCT UTILITY CHASE CONFIG	ALE	10-16-06	REF DWG - R04206	DATE: 8-15-06
A	ADDED CHASES FOR POWER AND DATA OUTLETS	ALE	10-9-06	30-132 BACKDRAFT TABLE	
LET	REVISION	BY	DATE	ROUGH-IN ASSY R06216	