

SPECIFICATIONS

CAPACITY:-----4500 lbs uniform load
 CAPACITY:-----1500 lbs side edge load
 LOW HEIGHT:-----8.00" approx.
 VERTICAL TRAVEL:-----48.00"
 RAISED HEIGHT:-----56.00"
 BASE FRAME SIZE:-----24" wide x 66" long
 PLATFORM SIZE:-----32" wide x 72" long of 3/16" plate
 BELLOWS GUARD:-----Gorite Duratite PVC plastic accordion style
 ACTUATION:----- (3) - 3.5" bore Southworth single acting cylinder

APPROVED

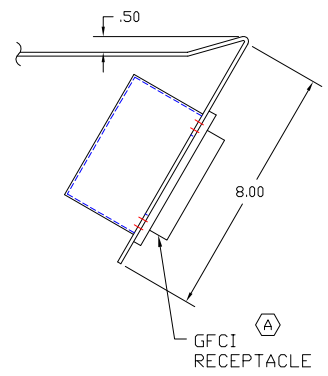
PRINT NAME:
 DATE:
 SIGNATURE:

POWER CHARACTERISTICS

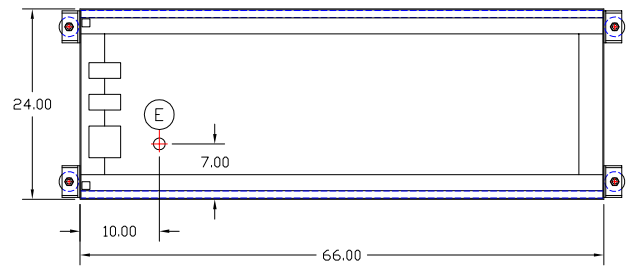
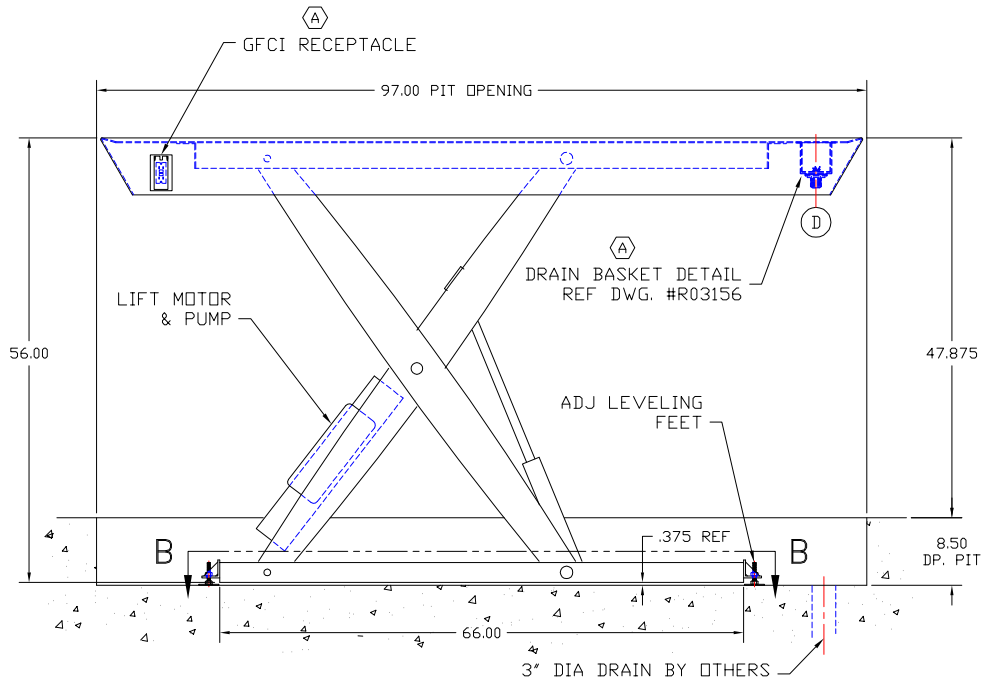
PRIMARY VOLTAGE:-----115/1/60 Hz.
 MOTOR:-----1.0 HP TENV- NEMA 4 Boldor epoxy coated motor w/
 water tight wiring & internal to machine
 CONTROLS:-----Up/Down hand held pushbutton control in NEMA 4
 enclosure
 CONTROL VOLTAGE:-----115V
 RISE TIME:-----66 seconds
 APPROX SHIPPING WT:-----1200 lbs.

UTILITY REQUIREMENTS

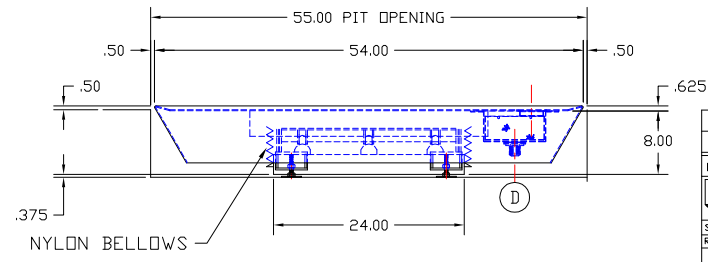
- (E) — ELECTRICAL - 115 V., 1 PH., 60 Hz.
- (D) — DRAIN - 3" DIA DRAIN



SECTION A-A



SECTION B-B



This print is the property of TBJ Incorporated. The information contained herein is confidential, it is not transferable. It is furnished with the clear understanding that it is not to be traced, reproduced or used in any other process of manufacturing without written permission from the owner and is returnable upon request.

A		ADDED DRAIN BASKET & RECEPTACLE	JEG	4-18-08
LET.	REVISION		BY	DATE
TBJ INC		1671 ORCHARD DRIVE CHAMBERSBURG, PA 17201		
SCALE	NTS	1285-1	DRAWN BY	JEG
REF DWG	R03108		DATE	4-15-08
4500# LIFT-TYPE NECROPSY TABLE				
ROUGH-IN ASSEMBLY			R08073	