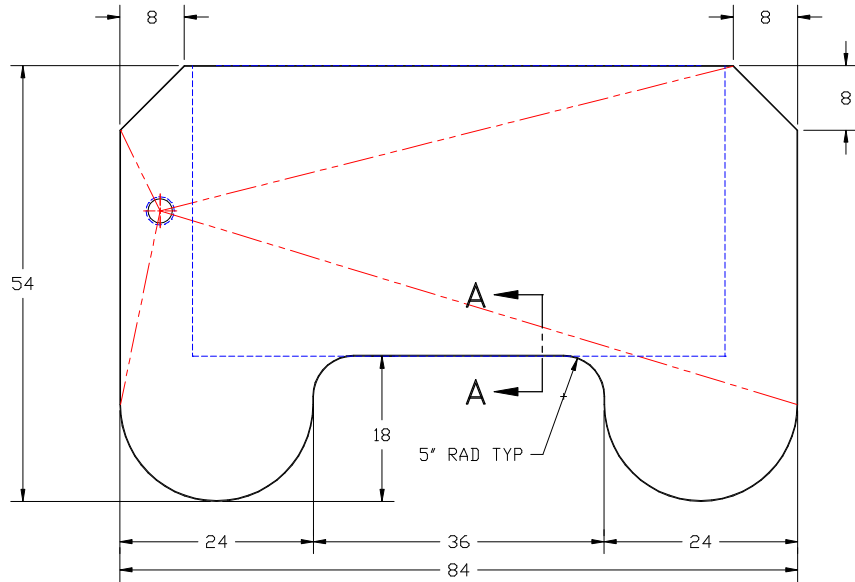


This print is the property of TBJ Incorporated. The information contained herein is confidential, it is not transferable. It is furnished with the clear understanding that it is not to be traced, reproduced or used in any process of manufacturing without written permission from the owner and is returnable upon request. Any infringement upon the patent rights shown herein, whether in whole or part, will be severely prosecuted.



SPECIFICATIONS

CAPACITY:-----6000 lbs uniform load
 LOW HEIGHT:-----15.0" approx.
 VERTICAL TRAVEL:-----36.0"
 RAISED HEIGHT:-----49.75"
 BASE FRAME SIZE:-----24" wide x 48" long
 PLATFORM SIZE:-----36" wide x 72" long of 1/4" plate
 BELLOWS GUARD:-----Neoprene coated nylon
 ACTUATION:----- (3) - 3.5" bore Southworth single acting cylinder

POWER CHARACTERISTICS

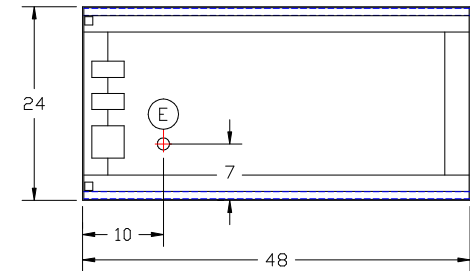
PRIMARY VOLTAGE:-----115/1/60 Hz.
 MOTOR:-----1 HP TENV- NEMA 4 Baldor epoxy coated motor w/
 water tight wiring & internal to machine
 CONTROLS:-----Up/Down hand held pushbutton control in NEMA 4
 enclosure - Linestarter transformer
 CONTROL VOLTAGE:-----115 V
 RISE TIME:-----66 seconds
 APPROX SHIPPING WT.:-----1800 lbs.

UTILITY REQUIREMENTS

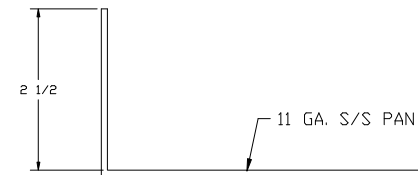
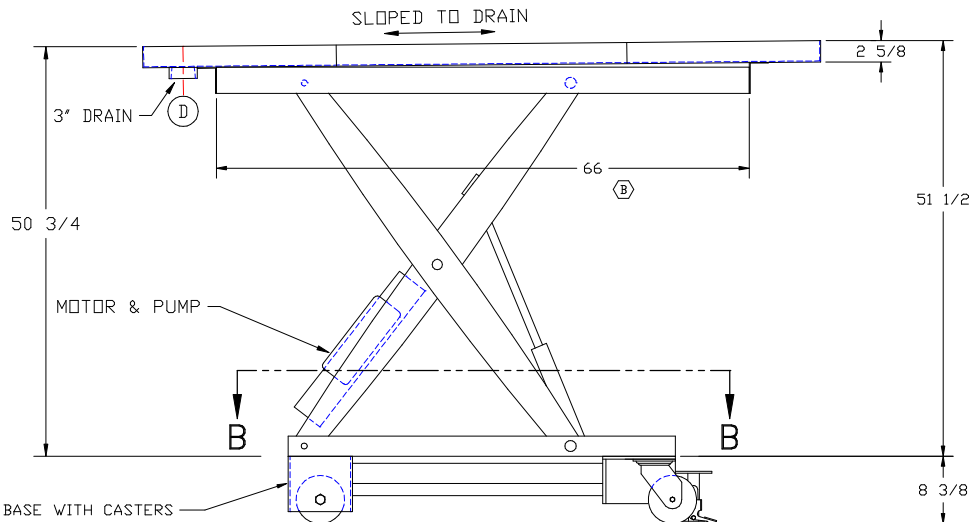
- (E) — ELECTRICAL - 115 V., 1 PH., 60 Hz.
- (D) — DRAIN - 3" NPT FLOOR DRAIN MIN

APPROVED

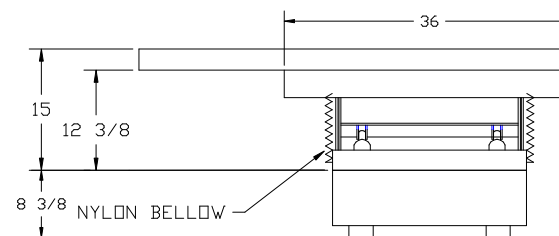
PRINT NAME: _____
 DATE: _____
 SIGNATURE: _____



SECTION B-B



SECTION A-A



B	CHG DIM 66 WAS 72	CWF	8-27-03
A	REMOVED GRID PANELS & TIE DOWN BARS	ALE	8-14-03
LET.	REVISION	BY	DATE
TBJ INC		1671 ORCHARD DRIVE CHAMBERSBURG, PA 17201	
SCALE	NTS	DRAWN BY	CWF
REF DWG	R98038	DATE	7-29-03
6000# LIFT-TYPE NECROPSY TABLE			
ROUGH-IN ASSEMBLY		R03102	