

(1) 46" PULL HANDLE (A)

BASE SPECIFICATIONS

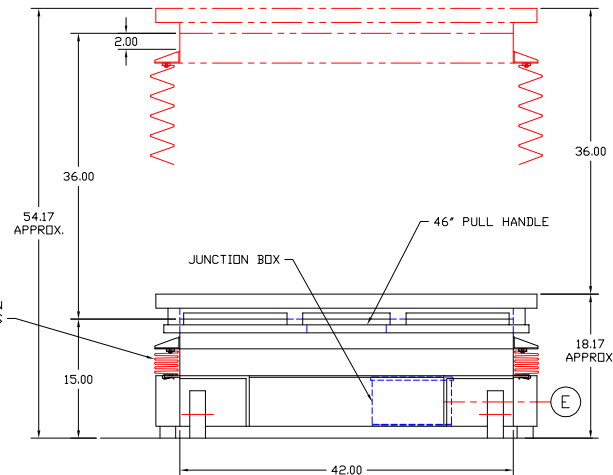
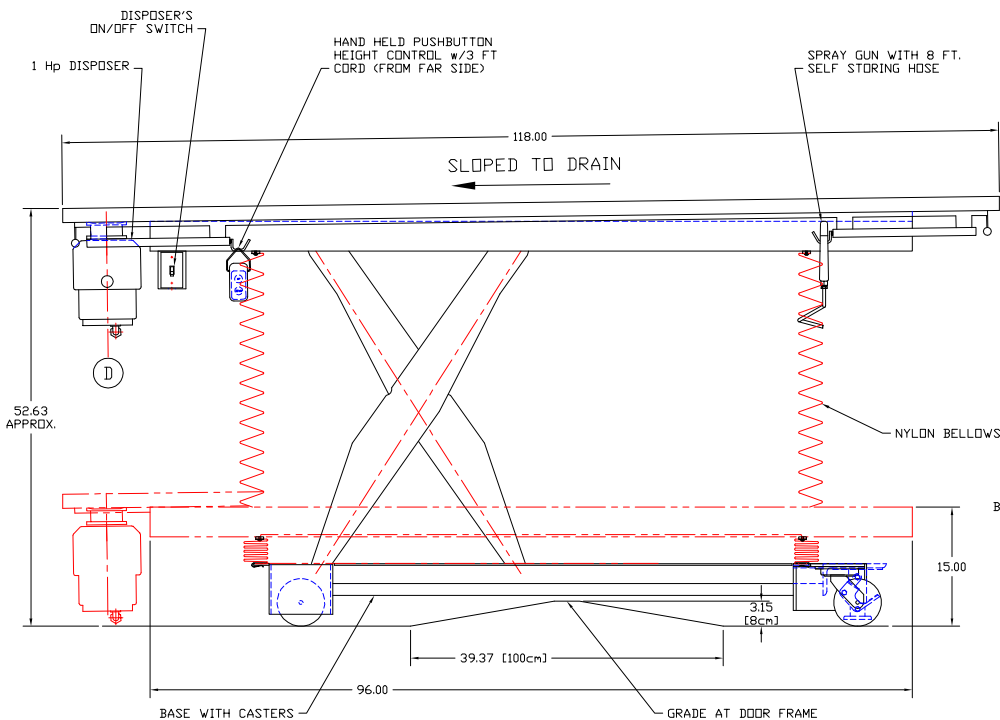
- CAPACITY:-----2000 lbs uniform load
- LOW HEIGHT:-----15.00" approx.
- VERTICAL TRAVEL:-----36.0"
- RAISED HEIGHT:-----51.00"
- (B) BASE FRAME SIZE:-----42" wide x 66" long
- (A) PLATFORM SIZE:-----42" wide x 96" long of 1/4" plate
- BELLOWS GUARD:-----Neoprene coated nylon
- ACTUATION:----- (2) - 3.5" bore Southworth single acting cylinder

POWER CHARACTERISTICS

- PRIMARY VOLTAGE:-----115/1/60 Hz.
- MOTOR:-----1 HP TENV- NEMA 4 Boldor epoxy coated motor w/water tight wiring & internal to machine
- CONTROLS:-----Up/Down hand held pushbutton control in NEMA 4 enclosure - Linestarter transformer
- CONTROL VOLTAGE:-----115 V
- RISE TIME:-----66 seconds
- APPROX SHIPPING WT.:-----1800 lbs.

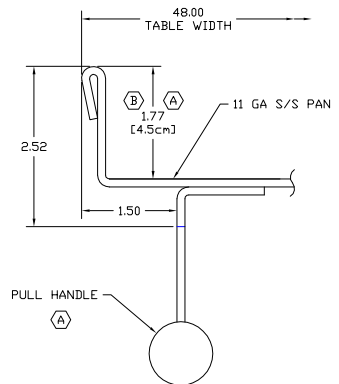
UTILITY REQUIREMENTS

- (E) — ELECTRICAL - 115 V., 1 PH., 60 Hz.
- (CW) — COLD WATER - 1/2" I.P.S.
- (D) — DRAIN - 3" NPT FLOOR DRAIN MIN



APPROVED

PRINT NAME:
DATE:
SIGNATURE:



SECTION A-A
SCALE: FULL

| | | | |
|--------------------------------|--|--|---------|
| B | BASE WAS 24"W x 48"L, REVISED TABLE EDGE | JEG | 8-15-06 |
| A | REVISED PER CUSTOMER REQUEST; ADDED PULL RAILS, PLATFORM WAS 36x72, REVISED TOP PROFILE & EDGE | JEG | 8-7-06 |
| LET. | REVISION | BY | DATE |
| TBJ INC | | 1671 ORCHARD DRIVE CHAMBERSBURG, PA 17201 | |
| SCALE | NTS | DRAWN BY | JEG |
| REF DWG | R05143 | DATE | 7-31-06 |
| 2000# LIFT-TYPE NECROPSY TABLE | | | |
| ROUGH-IN ASSEMBLY | | R06203 | |