

TBJ Model 45-21 Fold-Down Exam Table (ref. dwg. R02031)

Description:

The TBJ Model 45-21 Fold-Down Exam table is designed to provide a compact work area for a variety of procedures including surgery prep, surgery, necropsy, and grooming. The table is designed to be wall mounted and drop down from a stowed vertical position. It is ideal for confined areas.

Standard Design and Construction:

The table shall have overall dimensions of 20" wide x 45" long x 36" high.

The table shall utilize Type 304 16 gauge stainless steel construction. All welds shall be heliarc. All exposed welds shall be ground and polished.

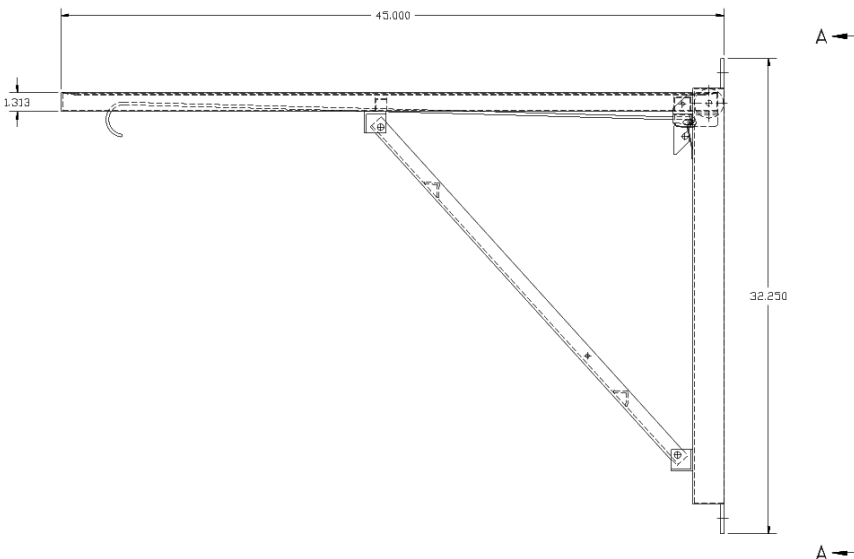
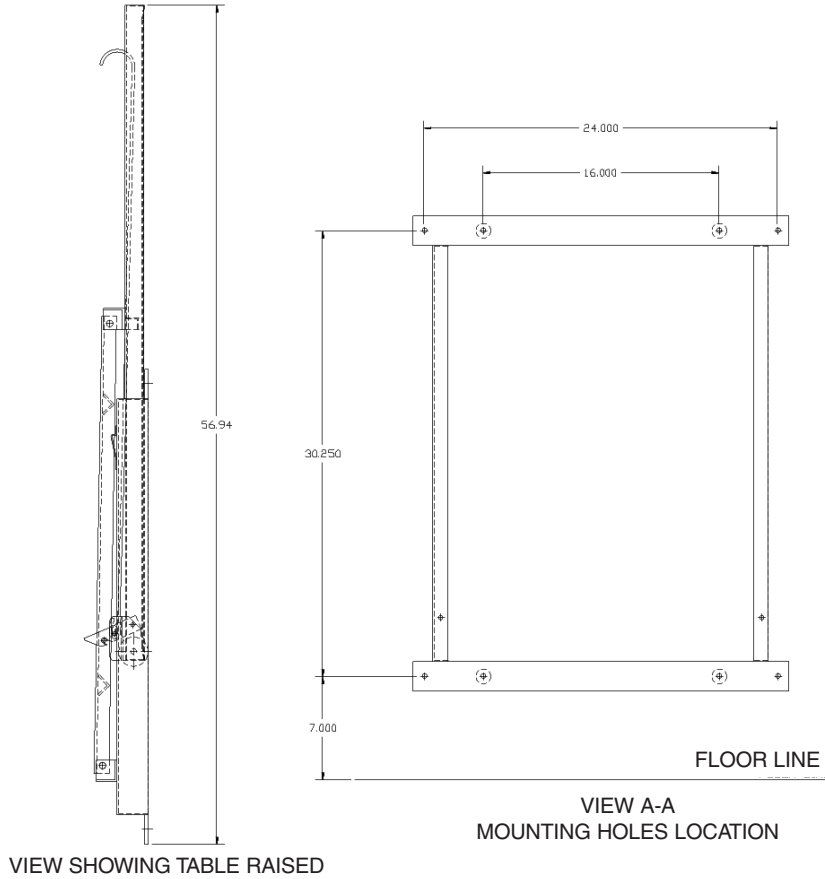
The table shall include a marine edge around the perimeter to contain fluids on the work surface.

The table shall be mounted by means of a heavy duty structural frame with (4) holes for mounting to the wall.

The table shall utilize an axel assembly with (2) nylon wheels that enable the table to be stowed and locked in an upright, vertical position when not in use.

The table shall utilize a release handle made of stainless steel bar to unlock the table from the upright position so that it can be lowered to a 90 degree horizontal position for use.

**TBJ Model 45-21 Fold-Down
Exam Table (ref. dwg. R02031)**



This print is the property of TBJ Incorporated. The information contained herein is confidential, it is not transferable. It is furnished with the clear understanding that it is not to be traced, reproduced or used in any process of manufacturing without written permission from the owner and is returnable upon request. Any infringement upon the patent rights shown herein, whether in whole or part, will be severely prosecuted.

Warranty

All components are warranted to be free from defects in material and workmanship for a period of one (1) year, when used in accordance with manufacturer's instructions.

TBJ
INCORPORATED

1671 Orchard Drive
Chambersburg, PA 17201
Phone: (717) 261-9700
Fax: (717) 261-1730
Email: salestbj@innernet.net
www.tbjinc.com