

This print is the property of TBJ Incorporated. The information contained herein is confidential, it is not transferable. It is furnished with the clear understanding that it is not to be traced, reproduced or used in any process of manufacturing without written permission from the owner and is returnable upon request. Any infringement upon the patent rights shown herein, whether in whole or part, will be severely prosecuted.

TBJ Inc.

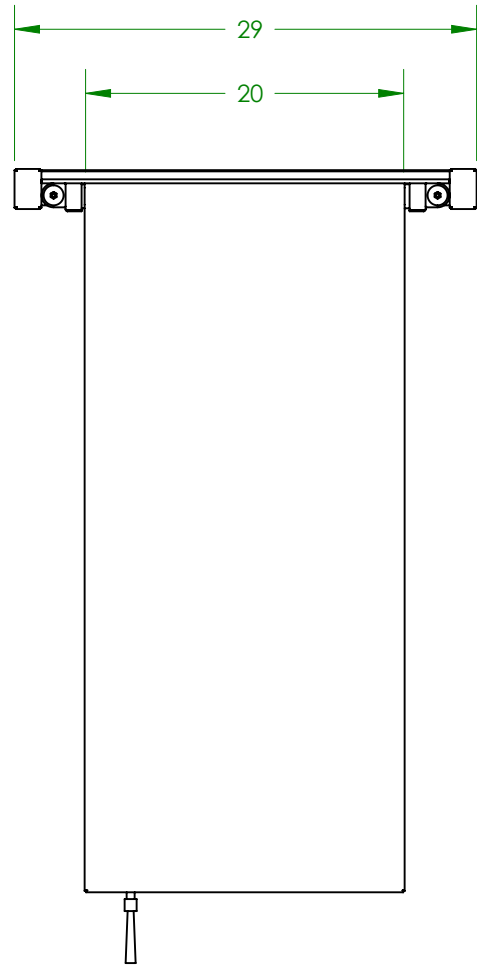
1671 Orchard Drive, Chambersburg, PA 17201
phone 717-261-9700 www.tbjinc.com

CONFIDENTIAL DOCUMENT

Exam Table Height Adjustable

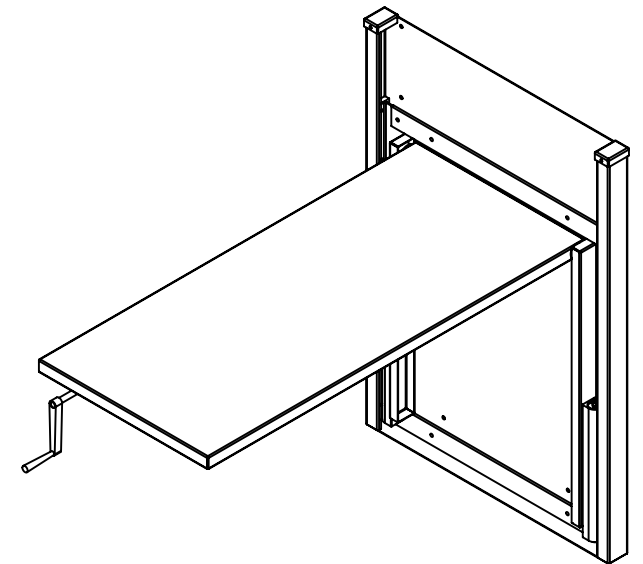
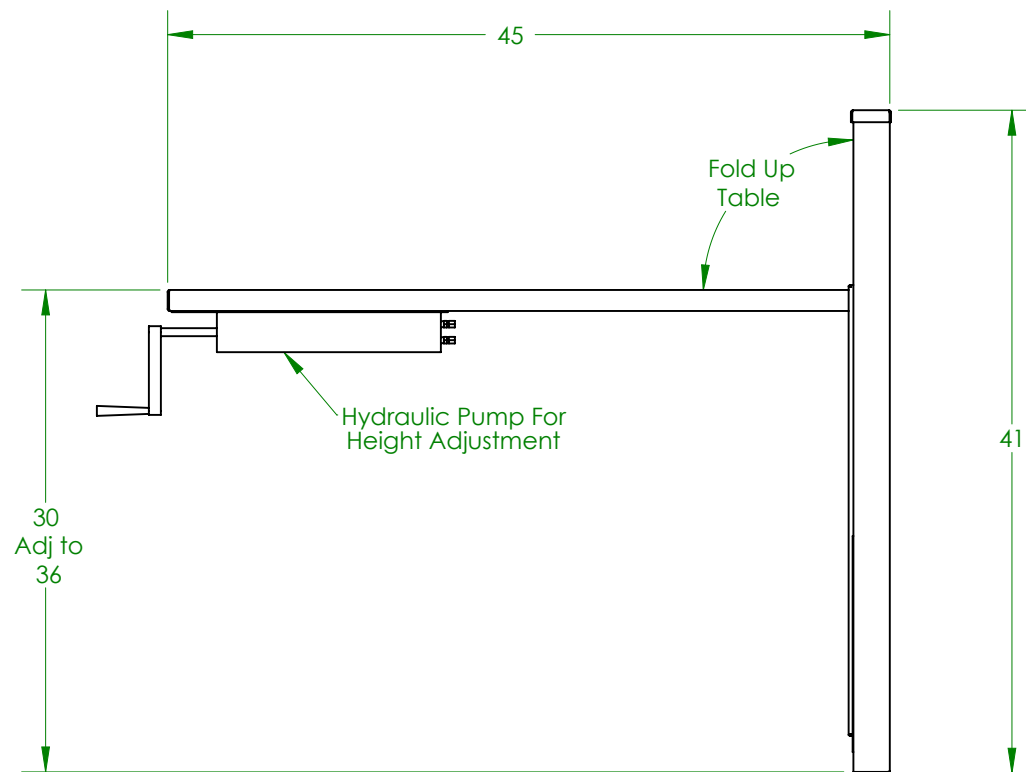
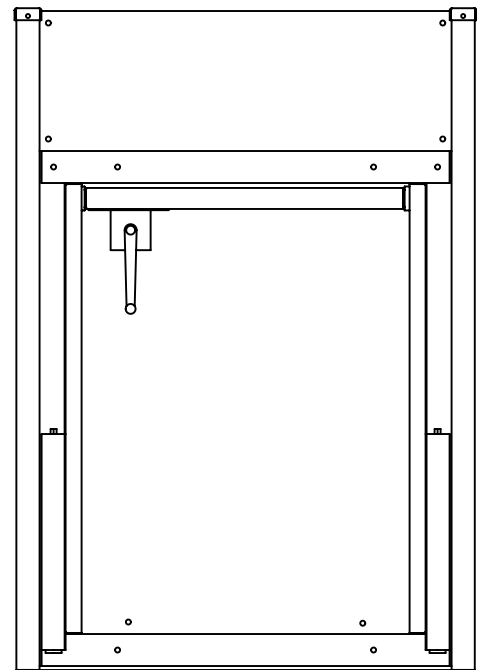
Material: Assembly

SIZE	PART NO.	REV.
B	Table 45-20 FD_0000-0	#
REVISIONS		
SCALE:	WEIGHT: 93.16	SHEET 1 OF 4



Installation Note:

Attach to wall using 6 lag screws
or as needed based on construction



This print is the property of TBJ Incorporated. The information contained herein is confidential, it is not transferable. It is furnished with the clear understanding that it is not to be traced, reproduced or used in any process of manufacturing without written permission from the owner and is returnable upon request. Any infringement upon the patent rights shown herein, whether in whole or part, will be severely prosecuted.

TBJ Inc. 1671 Orchard Drive, Chambersburg, PA 17201 phone 717-261-9700 www.tbjinc.com CONFIDENTIAL DOCUMENT		
Exam Table Height Adjustable Installation Rough-In		
Material: Assembly		
SIZE	PART NO.	REV.
B	Table 45-20 FD_0000-0	#
SCALE:	WEIGHT: 93.16	SHEET 2 OF 4