

This print is the property of TBJ Incorporated. The information contained herein is confidential, it is not transferable. It is furnished with the clear understanding that it is not to be traced, reproduced or used in any process of manufacturing without written permission from the owner and is returnable upon request. Any infringement upon the patent rights shown herein, whether in whole or part, will be severely prosecuted.

### SPECIFICATIONS

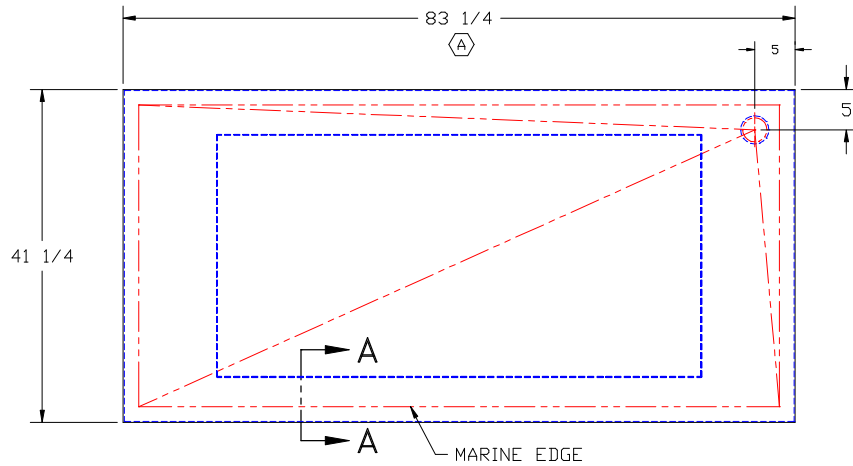
CAPACITY:-----3000 lbs uniform load  
 CAPACITY:-----1500 lbs side edge load  
 LOW HEIGHT:-----6.75' approx.  
 VERTICAL TRAVEL:-----42.0"  
 RAISED HEIGHT:-----48.75"  
 BASE FRAME SIZE:-----24' wide x 56' long  
 PLATFORM SIZE:-----32' wide x 56' long of 3/16' plate  
 BELLOWS GUARD:-----Gorite Duratite PVC plastic accordion style  
 ACTUATION:----- (2) - 3.5' bore Southworth single acting cylinder

### POWER CHARACTERISTICS

PRIMARY VOLTAGE:-----115/1/60 Hz.  
 MOTOR:-----1.0 HP TENV- NEMA 4 Boldor epoxy coated motor w/  
 water tight wiring & internal to machine  
 CONTROLS:-----Up/Down hand held pushbutton control in NEMA 4  
 enclosure  
 CONTROL VOLTAGE:-----115V  
 RISE TIME:-----49 seconds  
 APPROX SHIPPING WT.:-----1000 lbs.

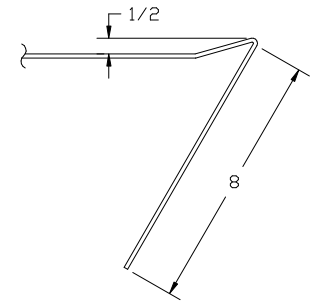
APPROVED

PRINT NAME:  
 DATE:  
 SIGNATURE:

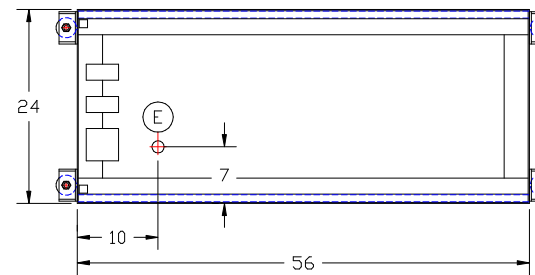


### UTILITY REQUIREMENTS

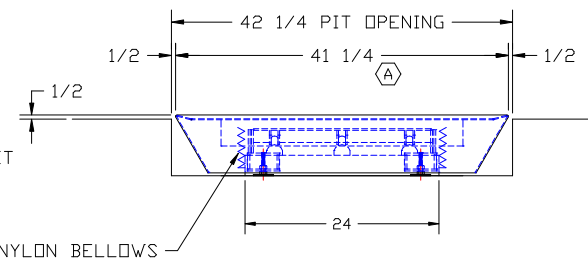
- (E) — ELECTRICAL - 115 V., 1 PH., 60 Hz.
- (D) — DRAIN - 3" DIA FLEXIBLE DRAIN HOSE W/QUICK DISCONNECT



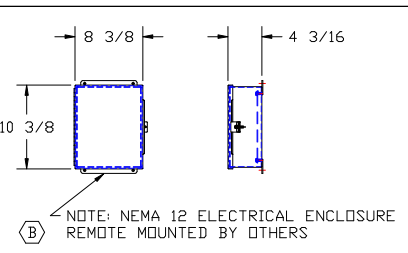
SECTION A-A



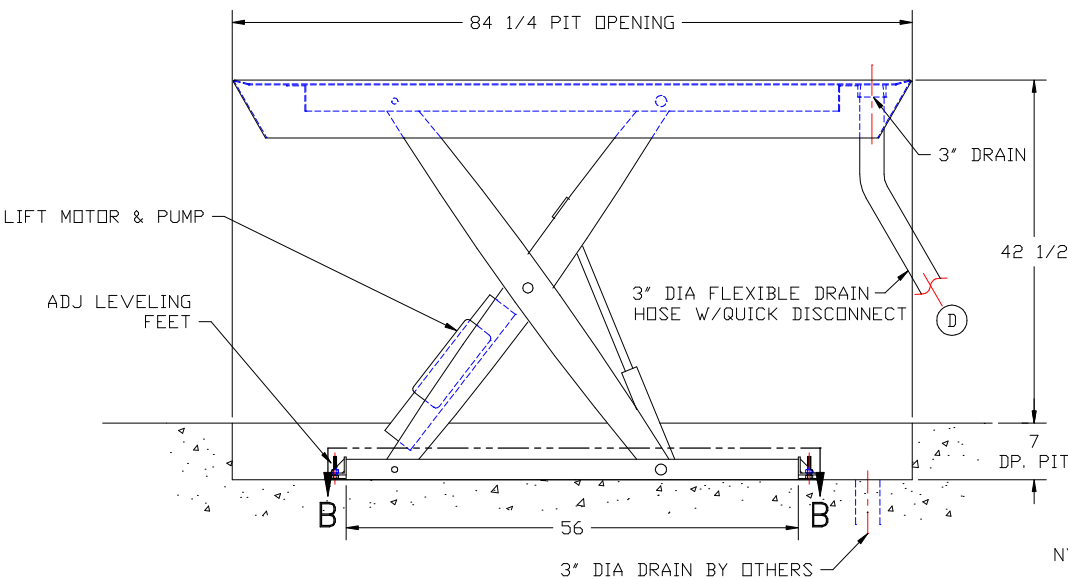
SECTION B-B



NYLON BELLOWS



NOTE: NEMA 12 ELECTRICAL ENCLOSURE REMOTE MOUNTED BY OTHERS



B	ADD ELECTRICAL ENCLOSURE AND NOTE	BSC	1-20-04
A	UPDATED TOP'S DIMS. TO FIT A 42-1/4 x 84-1/4" PIT	ALE	10-7-03
LET.	REVISION	BY	DATE
<b>TBJ INC</b>		1671 ORCHARD DRIVE CHAMBERSBURG, PA 17201	
SCALE	NTS	DRAWN BY	CWF
REF DWG	- R03066	DATE	8-11-03
3000# LIFT-TYPE NECROPSY TABLE			
ROUGH-IN ASSEMBLY		R03108	