

### SPECIFICATIONS

CAPACITY:-----2000 lbs uniform load  
 LOW HEIGHT:-----12.625' approx.  
 VERTICAL TRAVEL:-----36.0"  
 RAISED HEIGHT:-----48.63"  
 BASE FRAME SIZE:-----24" wide x 48" long  
 PLATFORM SIZE:-----36" wide x 72" long of 1/4" plate  
 BELLOWS GUARD:-----Neoprene coated nylon  
 ACTUATION:----- (2) - 3.5" bore Southworth single acting cylinder

### POWER CHARACTERISTICS

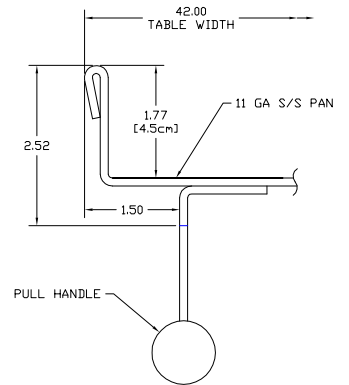
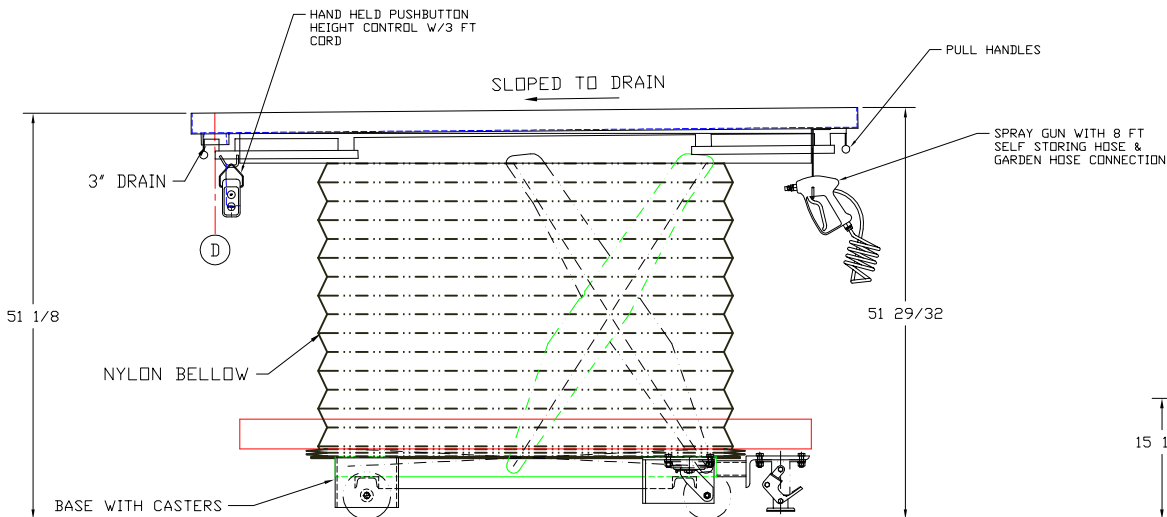
PRIMARY VOLTAGE:-----115/1/60 Hz.  
 MOTOR:-----1 HP TENV- NEMA 4 Boldor epoxy coated motor w/  
 water tight wiring & internal to machine  
 CONTROLS:-----Up/Down hand held pushbutton control in NEMA 4  
 enclosure - Linestarter transformer  
 CONTROL VOLTAGE:-----115 V  
 RISE TIME:-----66 seconds  
 APPROX SHIPPING WT.:-----1800 lbs.

### UTILITY REQUIREMENTS

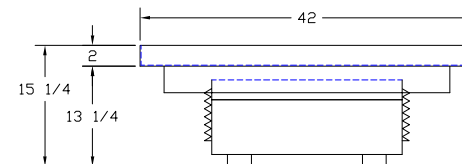
- (E) — ELECTRICAL - 115 V., 1 PH., 60 Hz., 20 AMP
- (D) — DRAIN - 3" NPT FLOOR DRAIN MIN
- (CW) — COLD WATER - 1/2" I.P.S.

APPROVED

PRINT NAME:  
 DATE:  
 SIGNATURE:



SECTION A-A  
 SCALE: FULL



LET.	REVISION	BY	DATE
<b>TBJ INC</b>			
SCALE NTS		DRAWN BY CWF	
REF DWG - R03116		DATE 12-11-07	
2000# LIFT-TYPE NECROPSY TABLE			
ROUGH-IN ASSEMBLY			R07248