

# TBJ Model 40-48 DD Downdraft Workstation (ref. dwg. R02043)

## Description:

The TBJ Model 40-48 DD Downdraft Workstation is designed to provide a ventilated table for small animal necropsies, surgeries, perfusions and dissections. The table shall function to pull air, odors, vapors and aerosols down and away from the face of personnel when connected to a negative air source. Chemicals such as formalin, alcohol and xylene are controlled and can be kept below OSHA permissible exposure limits thus providing a healthier, safer work environment. The workstation includes spacious storage drawers for instrument and tool storage.

## Standard Design and Construction:

Overall workstation dimensions shall be 40" long x 48" wide. The work surface height shall be 31" high. The vented work surface area shall be 24" long x 24" wide.

The workstation shall utilize Type 316 stainless steel construction for all welded-wetted sink and drain pan components. All welds shall be heliarc. All exposed welds shall be ground to a seamless polished finish.

The workstation shall utilize (2) 18 gauge T316 stainless steel removable perforated work surface panels. The panels shall be recessed 1/4" below the table perimeter to prevent fluids from escaping the work area.

The workstation shall be designed so that a user can sit comfortably in a seated position with ample knee and leg room. Four sliding stainless steel drawers shall be provided to the left side of the work area for storage of instruments and miscellaneous items. The drawers shall utilize stainless steel drawer slides and pull handles.

A 4" x 18" exhaust connection shall be located on the back of the workstation for connection to a building exhaust source.

Below the workstation perforated work surface panels shall be a plenum with drain pan that shall be sloped to one end for complete drainage and shall be designed for ease in cleanability to prevent build up of debris and bacteria.

The workstation shall include a spray gun with recoil hose and on/off control valve for wash down and clean-up of the work station.

The table shall include a 4" high back splash that run the length of the table top on the duct end of the table.

The table shall include a GFCI outlet with waterproof stainless steel cover.

The table shall be factory pre-plumbed and pre-wired ready for single point connection of utilities on site.

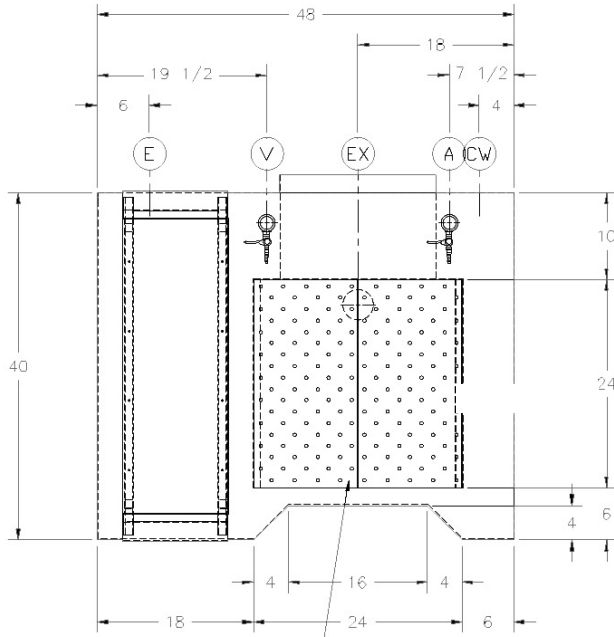
The table shall be manufactured in the United States and utilize American made components where applicable.

## Options and Accessories:

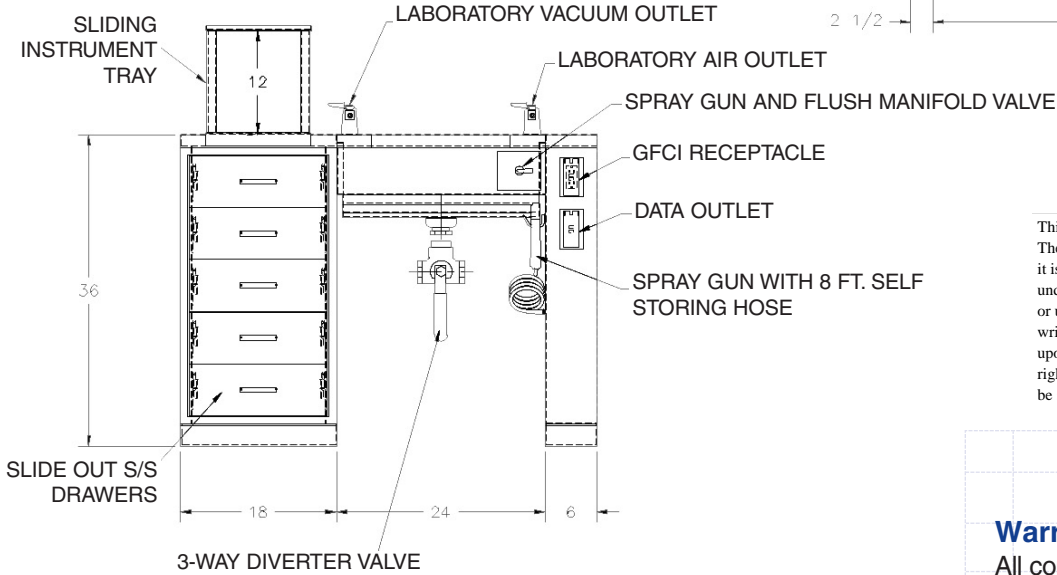
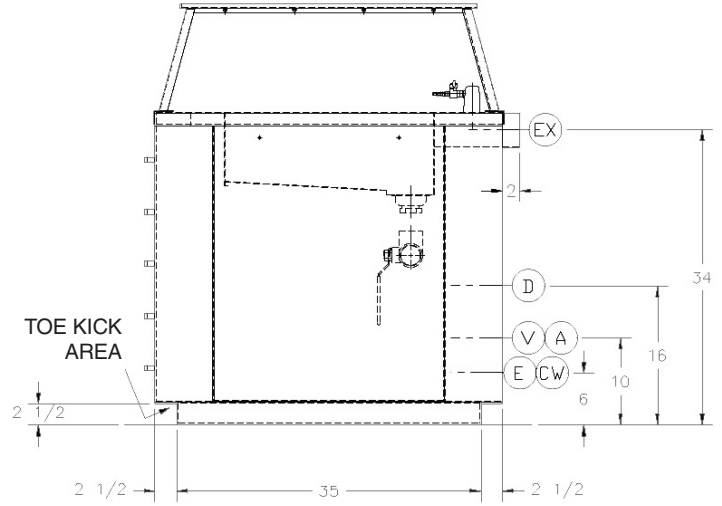
(consult options brochure for more detailed information)

- Thermoplastic cutting board, 1/2" x 12" x 18"
- Ground fault circuit interrupter (GFCI) receptacle
- 1 HP heavy duty disposer
- 3 way diverter valve to divert drain waste to collection carboy
- Eye wash hose/spray assembly
- Vacuum connection fitting
- Air connection fitting
- Gas connection fitting
- Distilled water connection fitting
- Formalin dispensing system
- Detachable side shelf
- Detachable sliding instrument tray
- Adjustable arm swivel type surgical light
- 3.5 diopter fluorescent magnifier
- Computer data ports

**TBJ Model 40-48 DD  
Downdraft Workstation  
(ref. dwg. R02043)**



(2) REMOVABLE PERFORATED PANELS



This print is the property of TBJ Incorporated. The information contained herein is confidential, it is not transferable. It is furnished with the clear understanding that it is not to be traced, reproduced or used in any process of manufacturing without written permission from the owner and is returnable upon request. Any infringement upon the patent rights shown herein, whether in whole or part, will be severely prosecuted.

Specification and drawing are subject to change without notice unless certified by factory.

**Utility Requirements**

- E** --- Electrical - 115V., 1 PH., 60 Hz., 15 AMP SERVICE
- CW** --- Cold Water - 1 1/2" I.P.S.
- D** --- Drain - 2" I.P.S.
- EX** --- Exhaust - 4" x 18", OUTSIDE DIMS., 290 CFM
- A** --- Laboratory Air - 3/8" I.P.S.
- V** --- Laboratory Vacuum - 3/8" I.P.S.
- D** --- Data Outlet

**Warranty**

All components are warranted to be free from defects in material and workmanship for a period of one (1) year, when used in accordance with manufacturer's instructions.

**TBJ**  
INCORPORATED

1671 Orchard Drive  
Chambersburg, PA 17201  
Phone: (717) 261-9700  
Fax: (717) 261-1730  
Email: [salestbj@innernet.net](mailto:salestbj@innernet.net)  
[www.tbjinc.com](http://www.tbjinc.com)