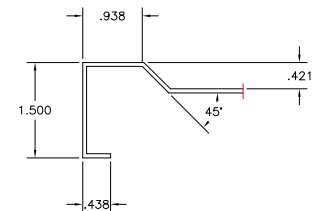


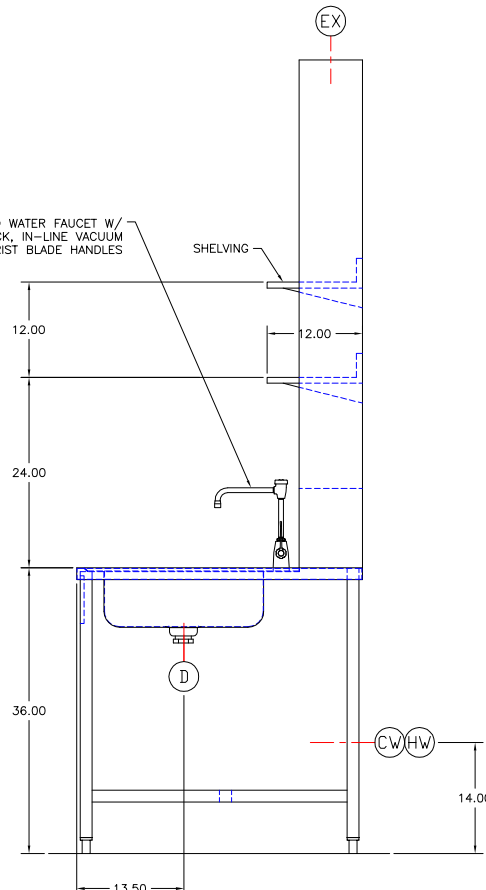
UTILITY REQUIREMENTS

- Ⓢ — COLD WATER — 1/2" I.P.S.
- Ⓢ — HOT WATER — 1/2" I.P.S.
- Ⓢ — DRAIN — 1-1/2" I.P.S.
- Ⓢ — EXHAUST — 2 @ 8" x 12" OUTSIDE



SECTION A-A  
SCALE: FULL

HOT & COLD WATER FAUCET W/  
SWING GOOSENECK, IN-LINE VACUUM  
BREAKER & WRIST BLADE HANDLES



APPROVED

PRINT NAME: \_\_\_\_\_  
DATE: \_\_\_\_\_  
SIGNATURE: \_\_\_\_\_

LET	REVISION	BY	DATE
<b>TBJ INC</b>			
SCALE: NTS 1:327-1		DRAWN BY: ALE	
REF DWG - R06139		DATE: 3-14-08	
36-84-S BD - BACKDRAFT TABLE			
ROUGH-IN ASSY			R08049