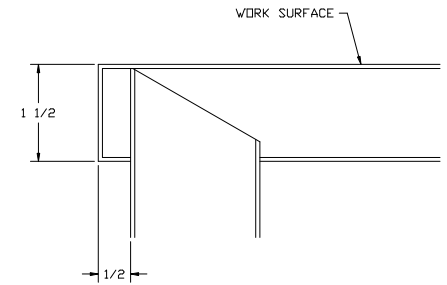
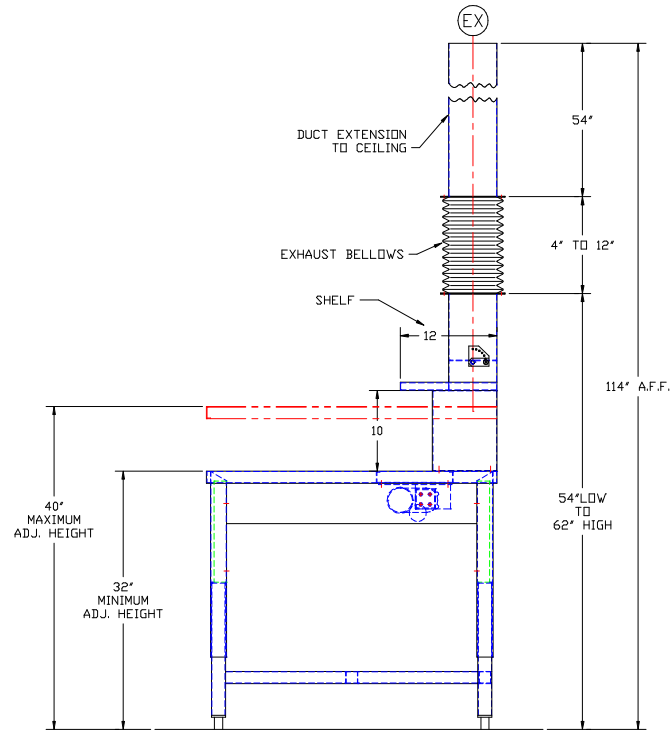
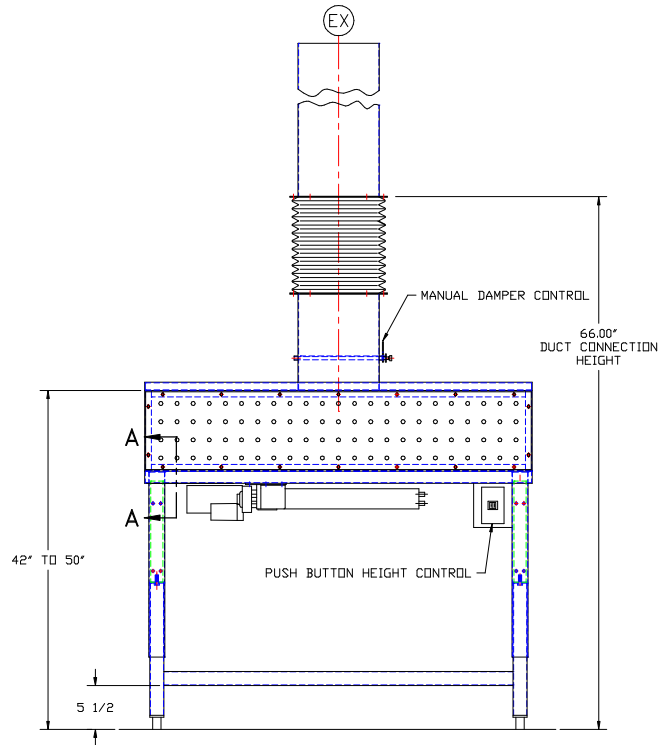


UTILITY REQUIREMENTS

- (E) — ELECTRICAL - 115 V., 1 PH., 60 Hz., 20 AMP
- (EX) — EXHAUST - 10" X 6" OUTSIDE DIMENSION

APPROVED _____

PRINT NAME:
DATE:
SIGNATURE:



SECTION A-A
SCALE: FULL

		TBJ INC		1671 ORCHARD DRIVE CHAMBERSBURG, PA 17201	
		SCALE 1-1/2"=1'-0"		DRAWN BY CWF	
		REF DWG - R00004-A		DATE 9-21-04	
BACKDRAFT WORKSTATION					
LET	REVISION	BY	DATE	ROUGH-IN ASSEMBLY	R04148