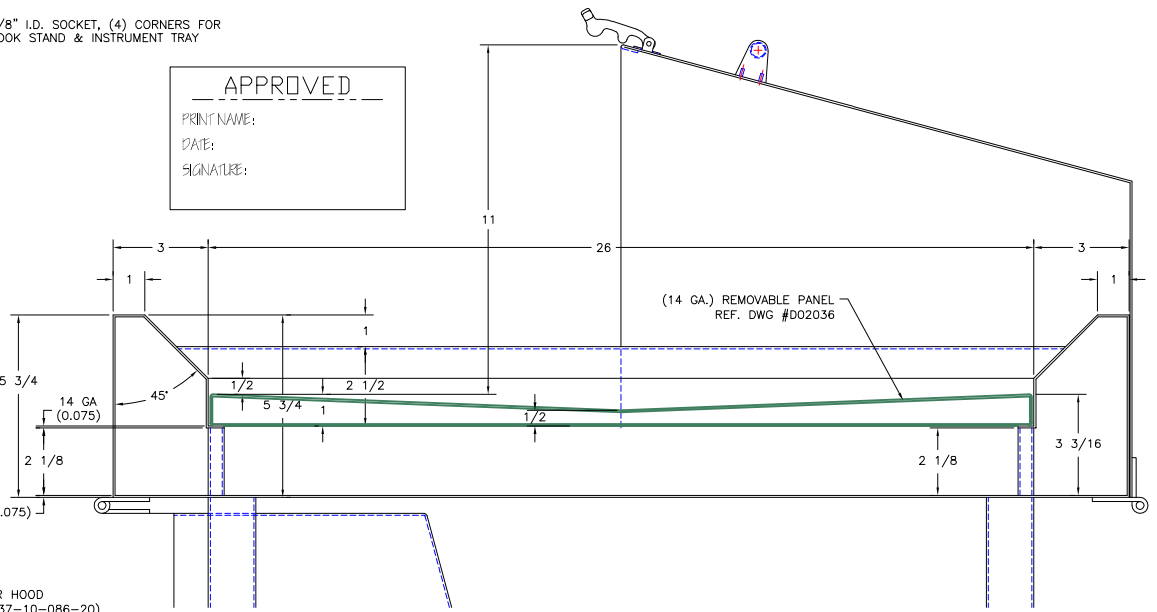
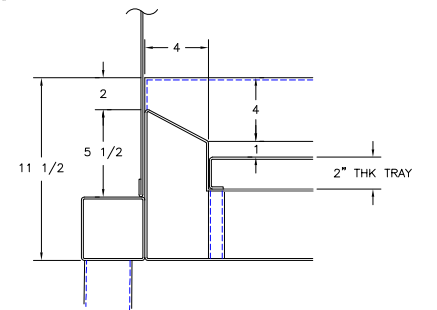
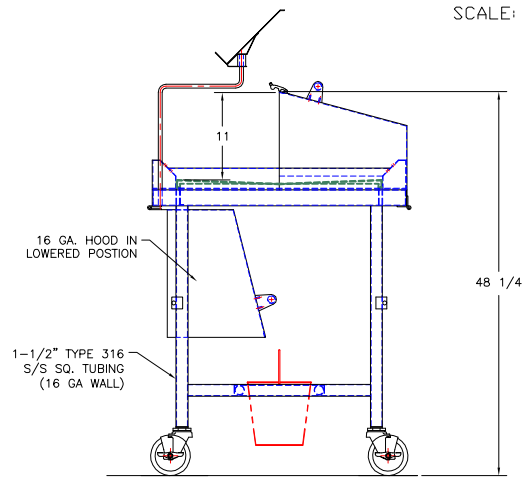


APPROVED
 PRINT NAME: _____
 DATE: _____
 SIGNATURE: _____



SECTION B-B
 SCALE: 6"=1'-0"



SECTION C-C
 SCALE: 6"=1'-0"

UTILITY REQUIREMENTS

Ⓧ---DRAIN--- 1.0" IPS.

| LET | REVISION | BY | DATE |
|--|------------------|--|--------------|
| | | | |
| | | | |
| | | | |
| | | 1671 ORCHARD DRIVE CHAMBERSBURG, PA 17201 | |
| SCALE 1-1/2"=1'-0" | REF DWG - R04037 | DRAWN BY ALE | DATE 8-26-10 |
| TBJ MODEL 32-B6 NVAT - NON-VENTED GROSS ANATOMY DISSECTING TABLE | | ROUGH-IN ASSEMBLY R10146 | |