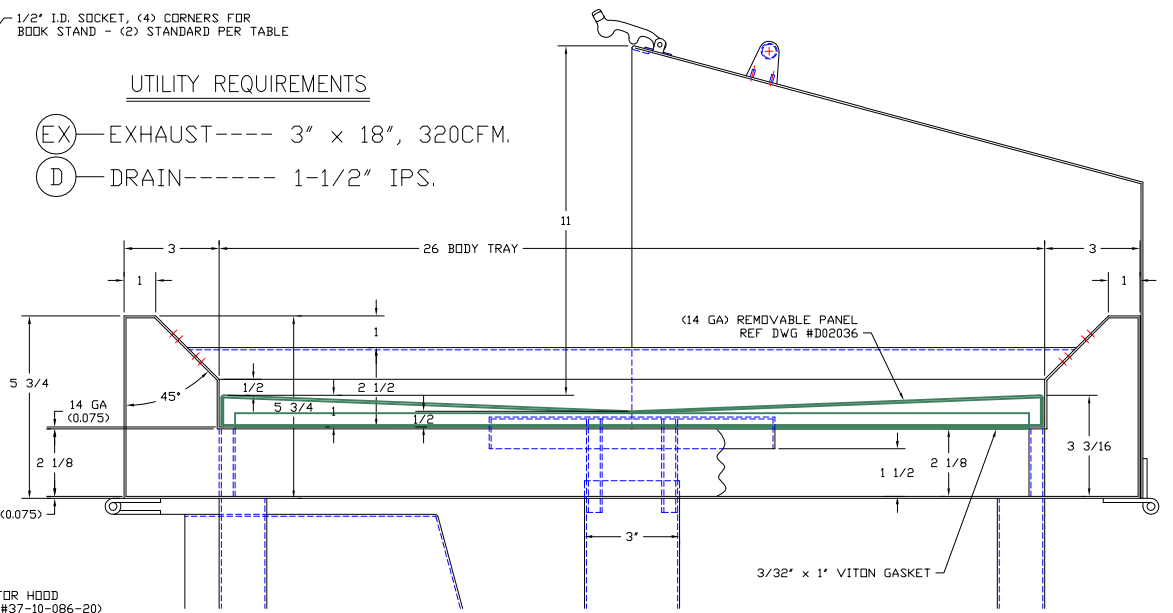
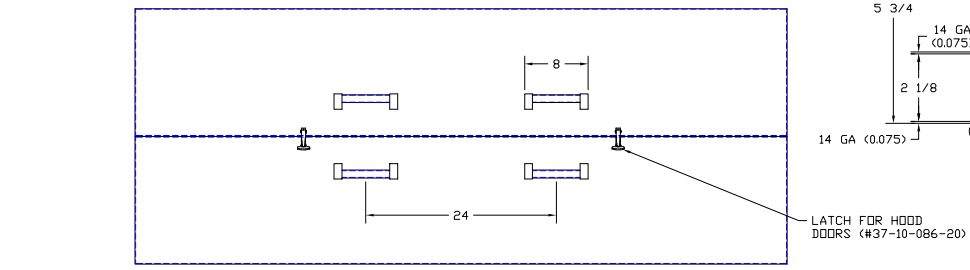
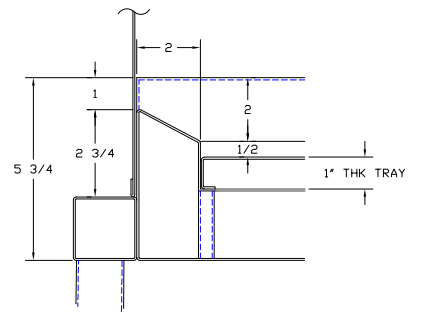
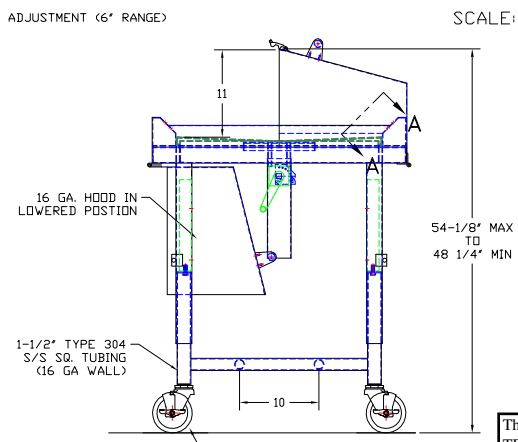
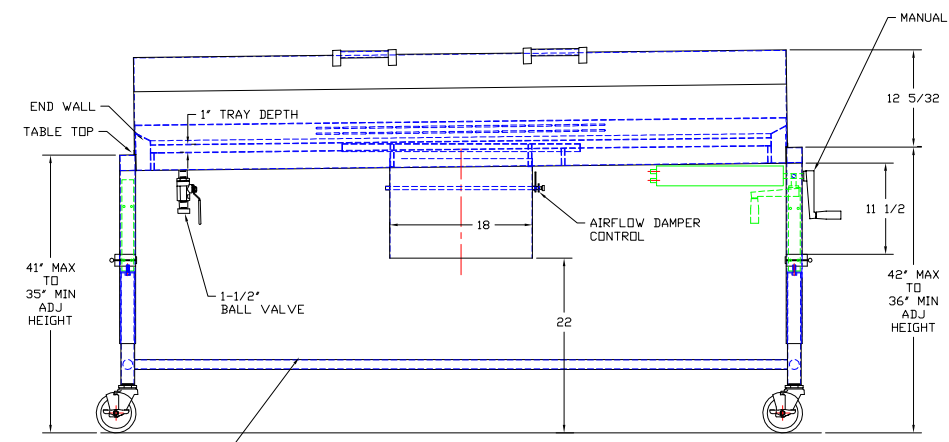


UTILITY REQUIREMENTS

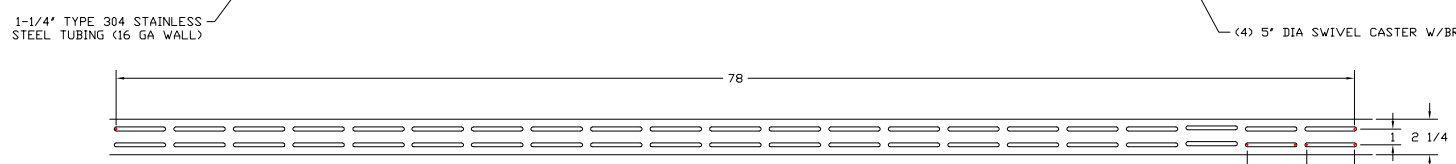
- (EX) EXHAUST----- 3" x 18", 320CFM.
- (D) DRAIN----- 1-1/2" IPS.



SECTION B-B
SCALE: 6"=1'-0"



SECTION C-C
SCALE: 6"=1'-0"



SECTION A-A - LINEAR SLOT DETAIL (TYP BOTH SIDES)

This print is the property of TBJ Incorporated. The information contained herein is confidential, it is not transferable. It is furnished with the clear understanding that it is not to be traced, reproduced or used in any other process of manufacturing without written permission from the owner and is returnable upon request.

LET	REVISION	BY	DATE
TBJ INC			
SCALE 1-1/2"=1'-0"		DRAWN BY ALE	
REF DWG - R04037		DATE 5-8-07	
TBJ MODEL 32-86AH DOWNDRAFT ADJ. HEIGHT GROSS ANATOMY DISSECTING TABLE			
ROUGH-IN ASSEMBLY			R07085