

UTILITY REQUIREMENTS

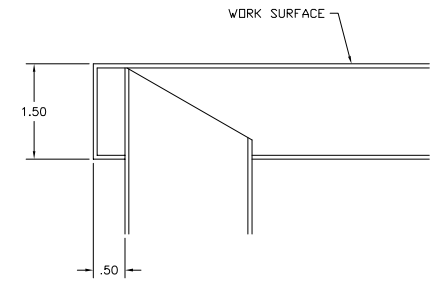
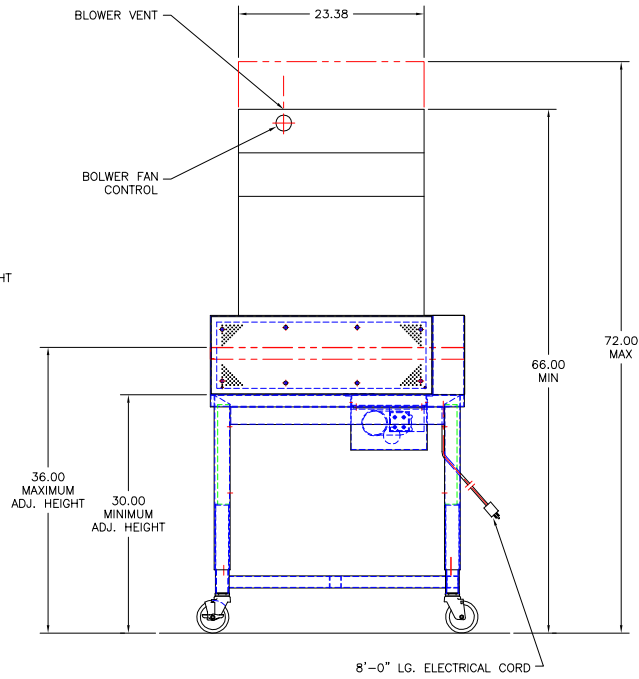
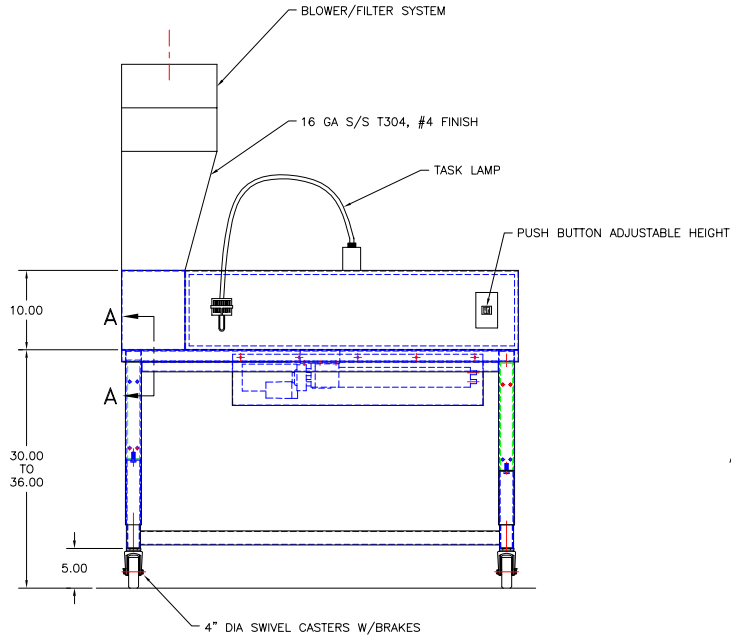
(E) ELECTRICAL - 115 V., 1 PH., 60 Hz., 15 AMP.

INCLUDED OPTIONS

- SELF CONTAINED BLOWER/FILTER - 530 CFM

APPROVED

PRINT NAME:
DATE:
SIGNATURE:



This print is the property of TBJ Incorporated. The information contained herein is confidential, it is not transferable. It is furnished with the clear understanding that it is not to be traced, reproduced or used in any other process of manufacturing without written permission from the owner and is returnable upon request.

SCALE 1-1/2"=1'-0"		1090-1		DRAWN BY JEG	
REF DWG - R04005		DATE 1-11-07		DATE 1-11-07	
BACKDRAFT SURGERY TABLE					
LET	REVISION	BY	DATE	32-50 BD-AH-ST	R07008

TBJ INC 1671 ORCHARD DRIVE
CHAMBERSBURG, PA 17201