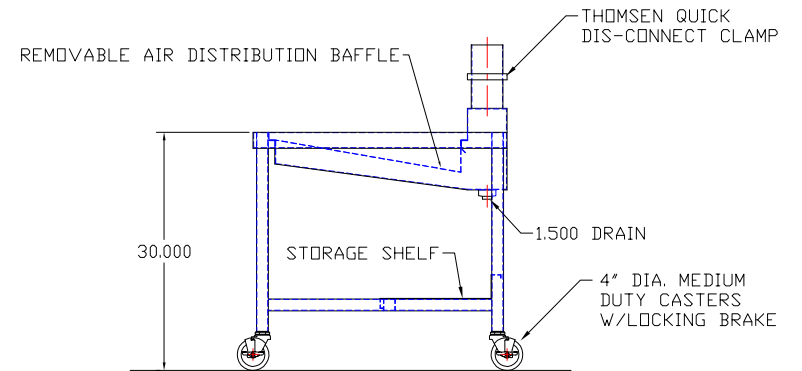
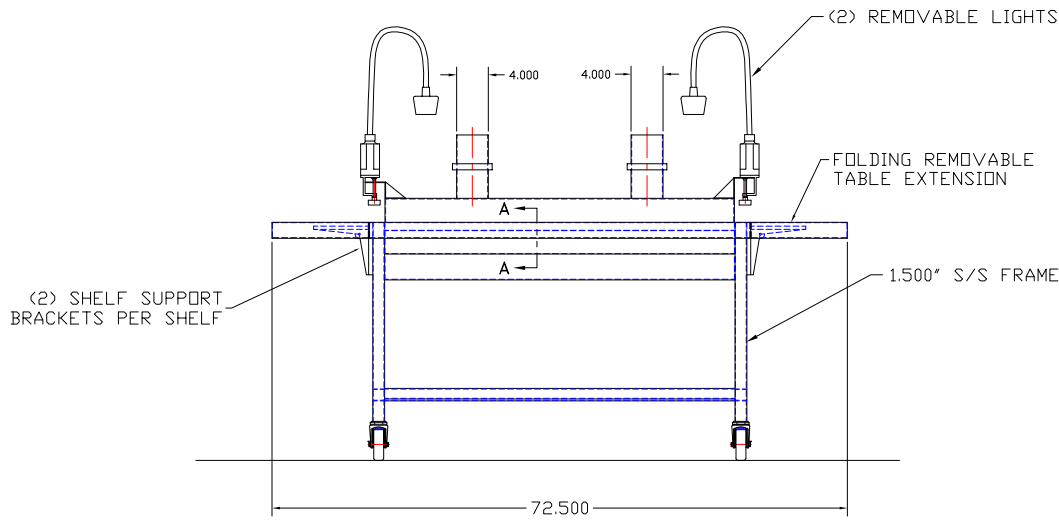
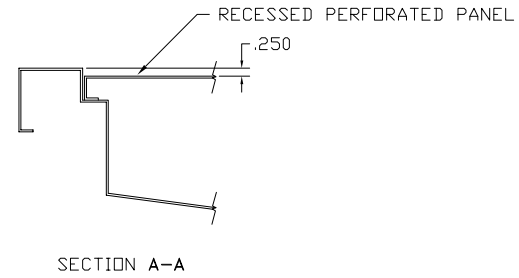
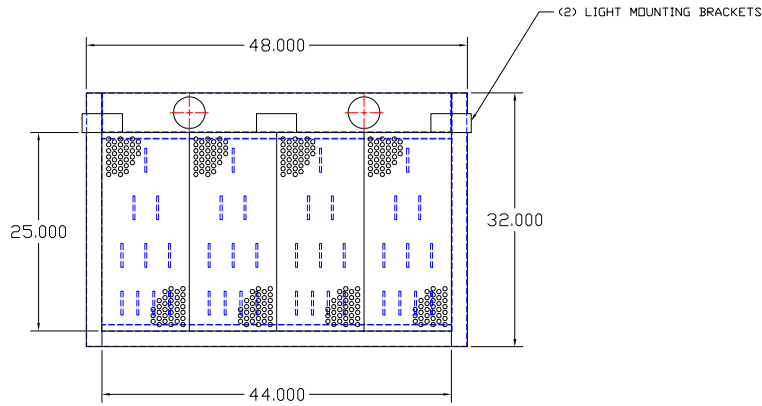


APPROVED



This print is the property of TBJ Incorporated. The information contained herein is confidential, it is not transferable. It is furnished with the clear understanding that it is not to be traced, reproduced or used in any other process of manufacturing without written permission from the owner and is returnable upon request.

					1671 ORCHARD DRIVE CHAMBERSBURG, PA 17201	
					SCALE 1-1/2"=1'-0"	DRAWN BY CWF
				REF DWG - R01005	DATE 11-17-04	
				MOBILE DOWNDRAFT SURGERY STATION		
LET	REVISION	BY	DATE	ROUGH-IN ASSY	R04204	