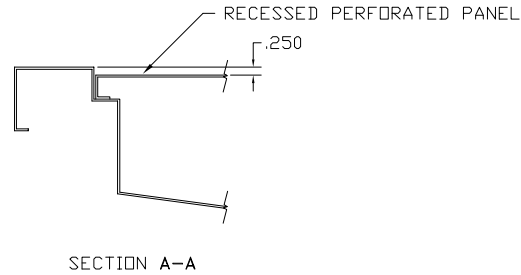
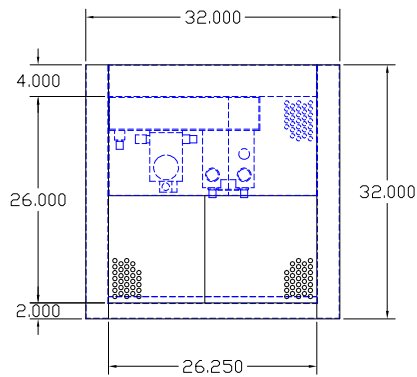


APPROVED

PRINT NAME:
DATE:
SIGNATURE:

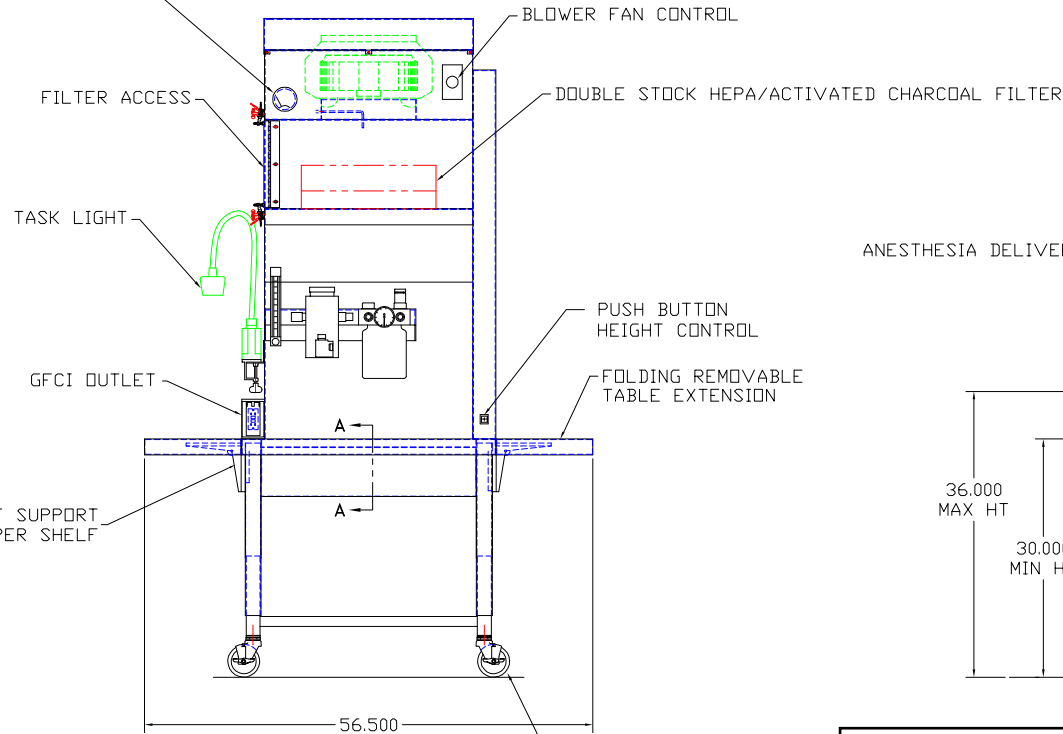


UTILITY REQUIREMENTS

(E) ELECTRICAL - 115V., 1 PH., 60 Hz., 15 AMPS

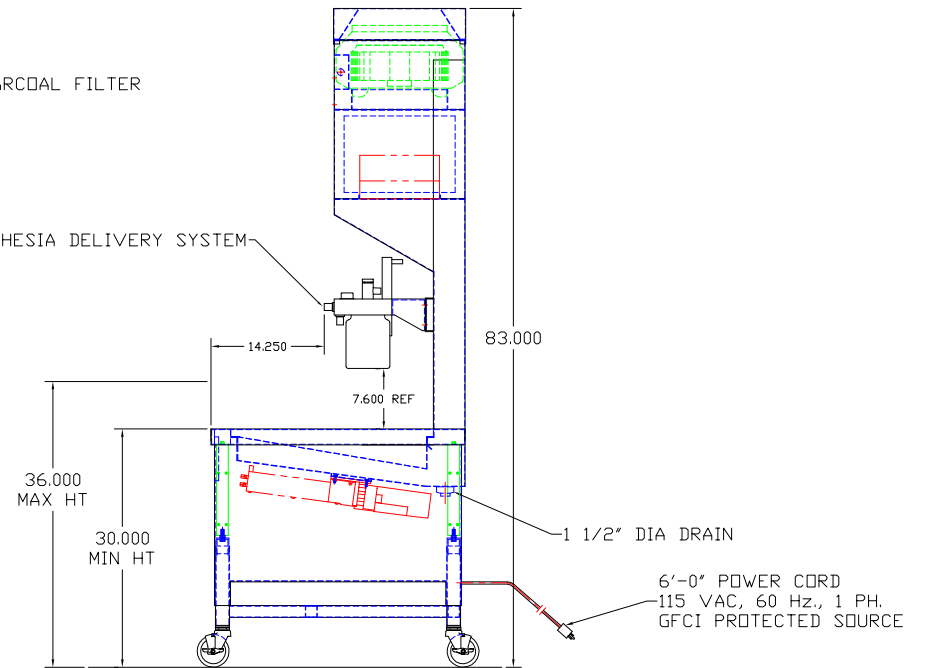
NOTE:
MATL- 16 GA T316 STAINLESS STEEL #4 CONSTRUCTION

MINI-PHOTHELIC GAUGE WITH LED INDICATORS




(4) 4" DIA SWIVEL CASTER WITH LOCKING BRAKE

ANESTHESIA DELIVERY SYSTEM



6'-0" POWER CORD
115 VAC, 60 Hz., 1 PH.
GFCI PROTECTED SOURCE

This print is the property of TBJ Incorporated. The information contained herein is confidential, it is not transferable. It is furnished with the clear understanding that it is not to be traced, reproduced or used in any other process of manufacturing without written permission from the owner and is returnable upon request.

LET		REVISION	BY	DATE			1671 ORCHARD DRIVE CHAMBERSBURG, PA 17201	
					SCALE 1-1/2"=1'-0"	DRAWN BY BSC		
					REF DWG - R07206	DATE 8-29-08		
					MOBILE DOWNDRAFT SURGERY STATION			
					ROUGH-IN ASSY		R08173	