

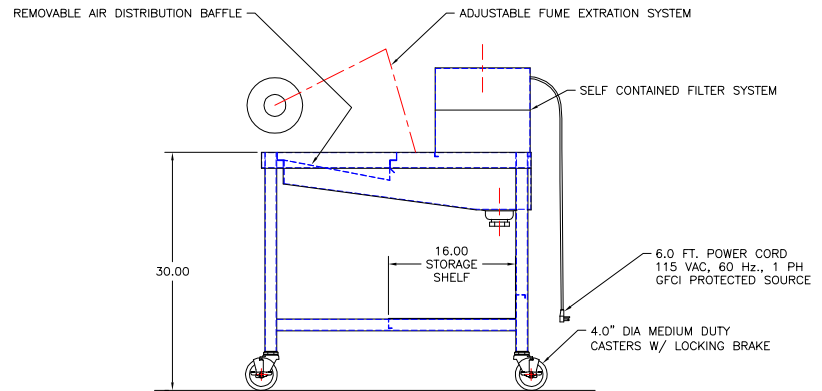
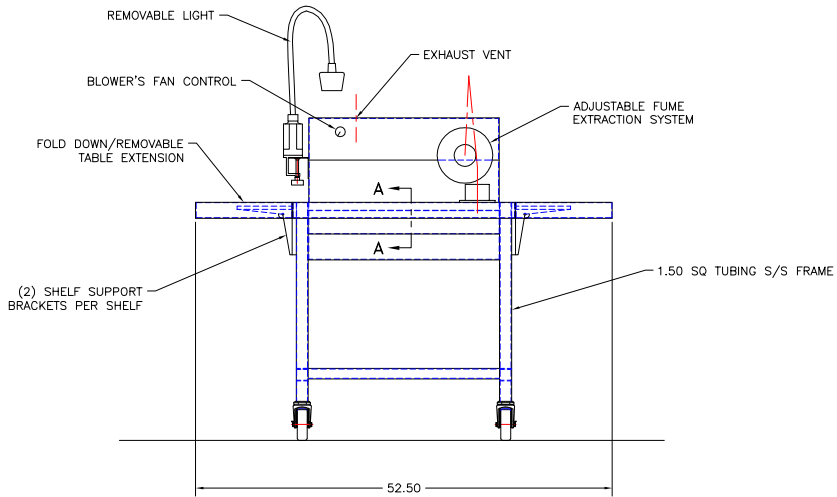
SECTION A-A

APPROVED

PRINT NAME: _____
 DATE: _____
 SIGNATURE: _____

UTILITY REQUIREMENTS

- ⓔ — ELECTRICAL — 115 V., 1 PH., 60 Hz., 15 AMP
- ⓓ — DRAIN — 1-1/2 I.P.S.



This print is the property of TBJ Incorporated. The information contained herein is confidential, it is not transferable. It is furnished with the clear understanding that it is not to be traced, reproduced or used in any other process of manufacturing without written permission from the owner and is returnable upon request.

				TBJ INC		1671 ORCHARD DRIVE CHAMBERSBURG, PA 17201	
				SCALE 1-1/2"=1'-0"	DRAWN BY ALE		
				REF DWG - R03050	DATE 10-3-06		
				MOBILE DOWNDRAFT SURGERY STATION			
LET	REVISION	BY	DATE	ROUGH-IN ASSY		R06243	