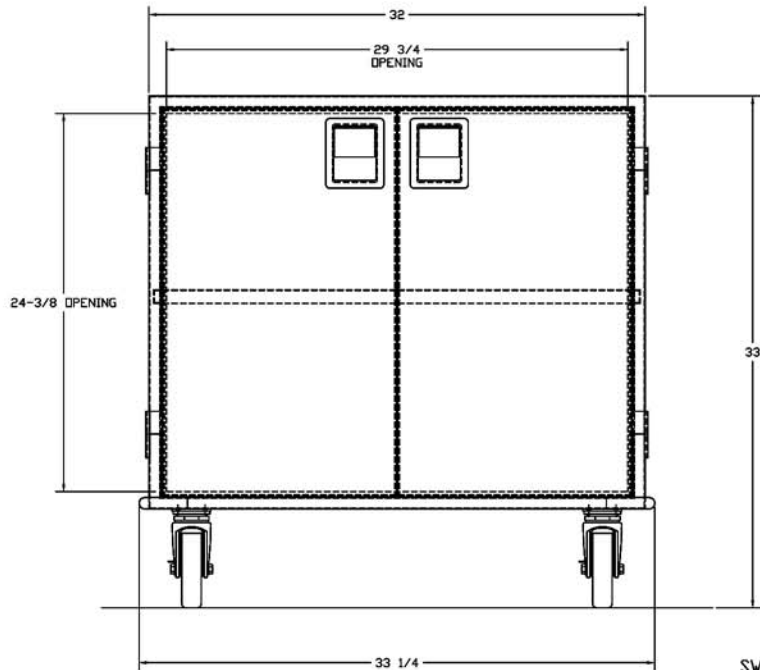
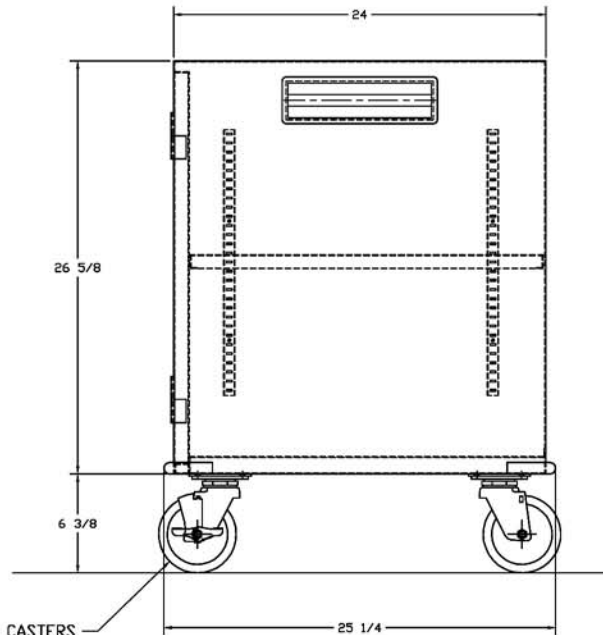


- (INCLUDED OPTIONS)
- BI-FOLDING DOORS, POSITIVE CATCH FOR 270° OPENING
  - ADJUSTABLE S/S STORAGE SHELF
  - WRAP AROUND RUBBER BUMMERS
  - CART WASHABLE CASTERS W/ NON-MARKING TREAD
  - S/S RECESSED PUSH HANDLE ON (2) SIDES
  - S/S PADDLE LATCHES, S/S, RECESSED
  - CONSTRUCTED OF 14 GA. T-304 S/S

APPROVED



SWIVEL PLATE CASTERS  
W/ LOCKING BRAKE



This print is the property of TBJ Incorporated. The information contained herein is confidential, it is not transferable. It is furnished with the clear understanding that it is not to be traced, reproduced or used in any process of manufacturing without written permission from the owner and is returnable upon request. Any infringement upon the patent rights shown herein, whether in whole or part, will be severely prosecuted.

A	REMOVED S/S ROUND PUSH HANDLE	ALE	10-23-97
LET	REVISION	BY	DATE
<b>TBJ INC</b>		1671 ORCHARD DRIVE CHAMBERSBURG, PA 17201	
SCALE 3/4"=1'-0"		DRAWN BY	ALE
		DATE	9-10-97
TRANSFER CART ASSEMBLY			
ROUGH-IN ASSEMBLY		R97071	