

UTILITY REQUIREMENTS

- (CW) — COLD WATER - 3/4" I.P.S.
- (HW) — HOT WATER - 1/2" I.P.S.
- (D) — DRAIN - 1-1/2" I.P.S.
- (E) — ELECTRICAL - 115 V., 1 PH., 60 Hz., 15 AMP  
(2) SEPARATE GFCI PROTECTED RECEPTACLES REQUIRED

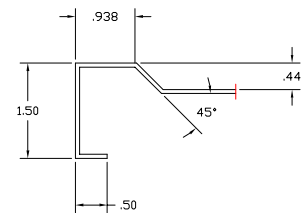
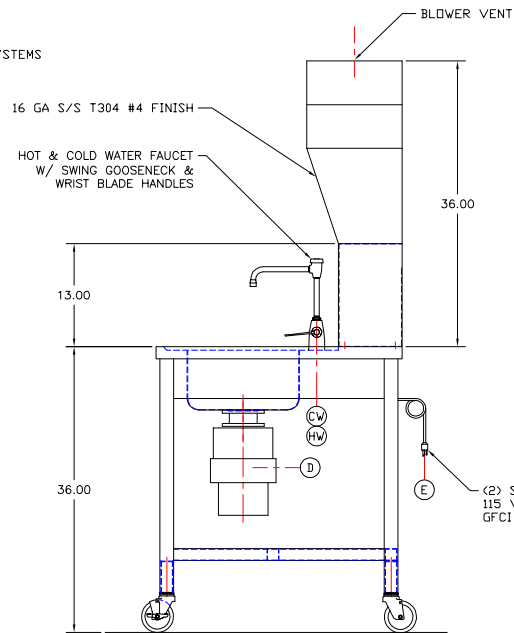
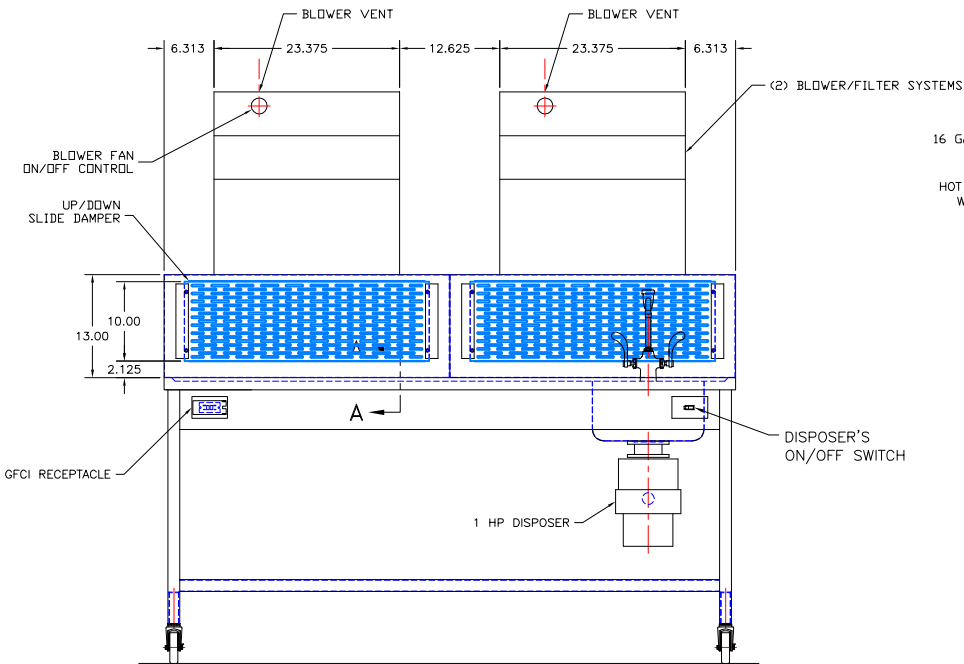
INCLUDED OPTIONS

- (2) SELF CONTAINED BLOWER/FILTER SYSTEMS
- (1) GROUND FAULT CIRCUIT INTERRUPTER (GFCI) RECEPTACLE
- 1 Hp HEAVY DUTY DISPOSER
- FLEXIBLE HOT & COLD WATER LINES w/QUICK DISCONNECT (4 FT. LG.)
- 1-1/2" I.D. FLEXIBLE DRAIN HOSE (4 FT. LG.)

NOTE:  
FLEXIBLE UTILITY CONNECTIONS FOR ALL  
UTILITY TIE-INS PROVIDED BY OTHERS

APPROVED

PRINT NAME:  
DATE:  
SIGNATURE:



SECTION A-A  
SCALE: FULL

(2) SIX FOOT POWER CORDS  
115 VAC 60 Hz 1PH  
GFCI PROTECTED SOURCE

This print is the property of TBJ Incorporated. The information contained herein is confidential, it is not transferable. It is furnished with the clear understanding that it is not to be traced, reproduced or used in any other process of manufacturing without written permission from the owner and is returnable upon request.

				<b>TBJ INC</b>		1671 ORCHARD DRIVE CHAMBERSBURG, PA 17201	
				SCALE 1-1/2"=1'-0"	DRAWN BY JEG		
				REF DWG - R07065	DATE 4-12-07		
				MODEL 31-72 BD w/BLOWER/FILTER BACKDRAFT SURGERY TABLE			
LET	REVISION	BY	DATE	ROUGH-IN ASSEMBLY		R07065	