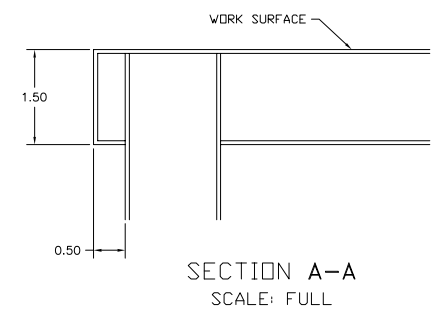
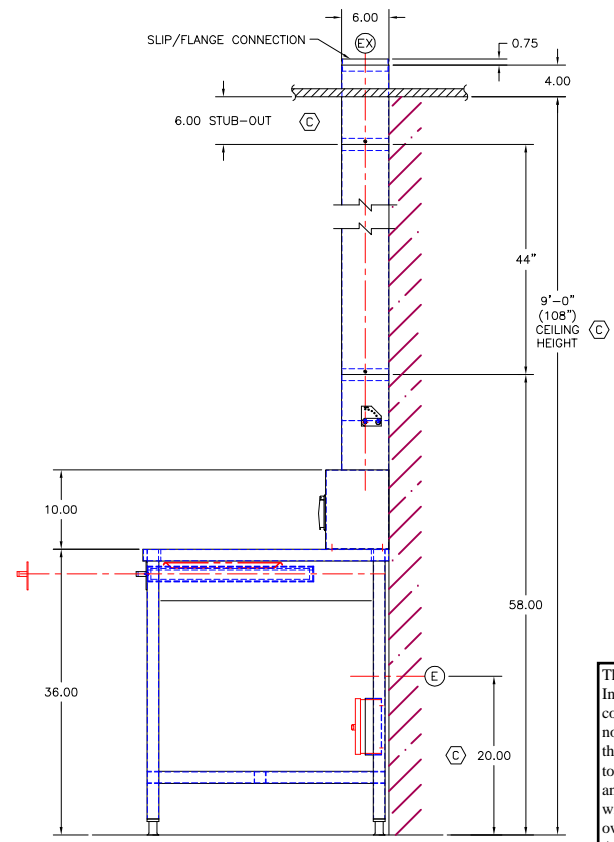
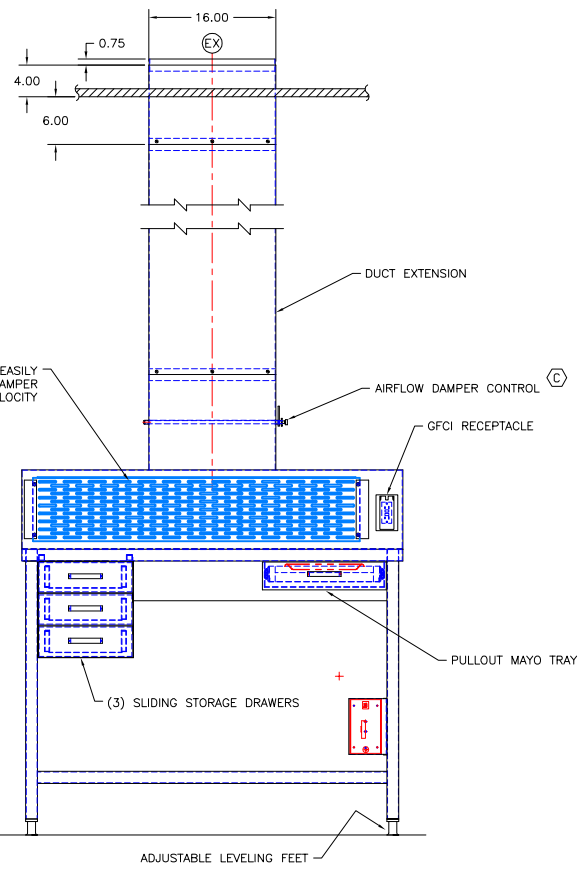


UTILITY REQUIREMENTS

- (E) — ELECTRICAL — 115 V., 1 PH., 60 Hz., 15 AMP
- (EX) — EXHAUST — 16.0" x 6.0" OUTSIDE DIMS., 325 CFM @ .22 S.P.

APPROVED

PRINT NAME:
DATE:
SIGNATURE:



BD-1
RMS. (2)-1704, (2)-1706

This print is the property of TBJ Incorporated. The information contained herein is confidential, it is not transferable. It is furnished with the clear understanding that it is not to be traced, reproduced or used in any other process of manufacturing without written permission from the owner and is returnable upon request. Any infringement upon the patent rights shown herein, whether in whole or part, will be severely prosecuted.

C	LOCATED ELEC. HOODUP; ADDED DAMPER CONTROL & DUCT EXT. DETAIL W/ 6" STUB-OUT; NOTED CEILING HT.	ALE	2-11-08
B	UPDATED AIR SPECS.	ALE	3-14-07
A	ADDED NOTE	ALE	3-9-07
LET	REVISION	BY	DATE
TBJ INC		1671 ORCHARD DRIVE CHAMBERSBURG, PA 17201	
SCALE 1-1/2"=1'-0"	DRAWN BY ALE		
REF DWG - R06268	DATE 12-12-06		
MODEL 31-48 BD BACKDRAFT SURGERY TABLE			
ROUGH-IN ASSEMBLY		R06303	