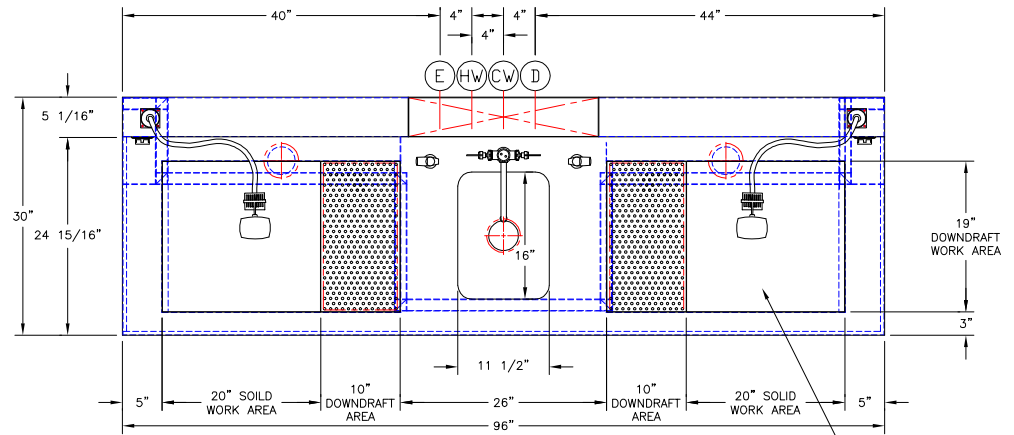


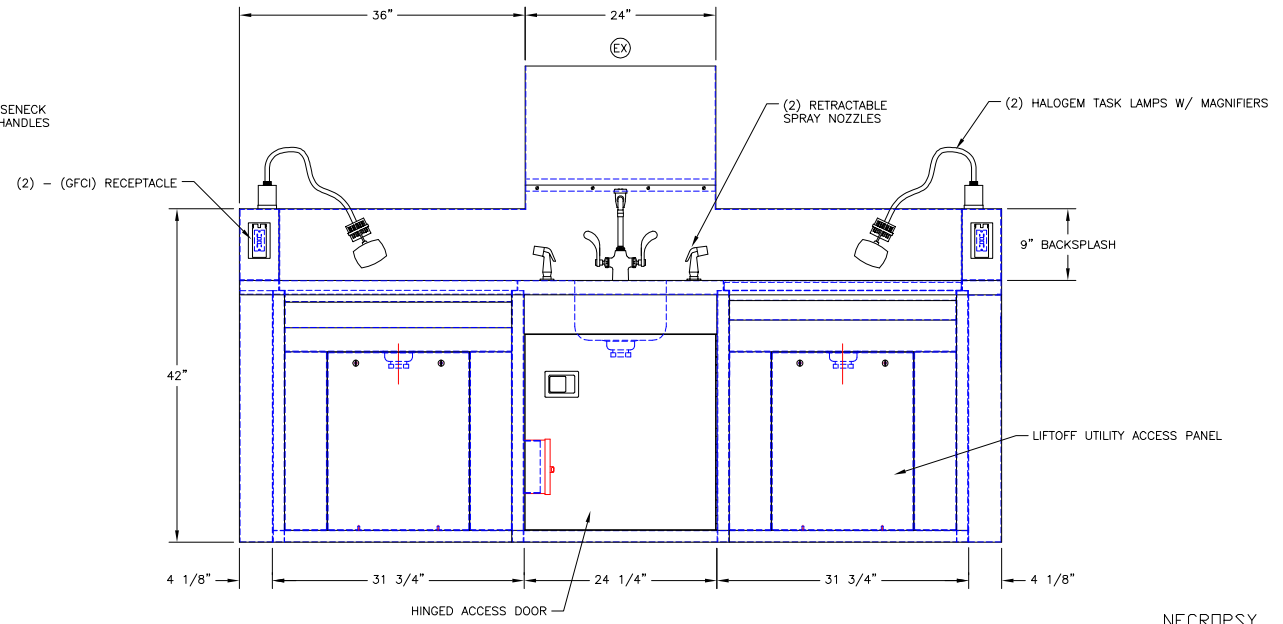
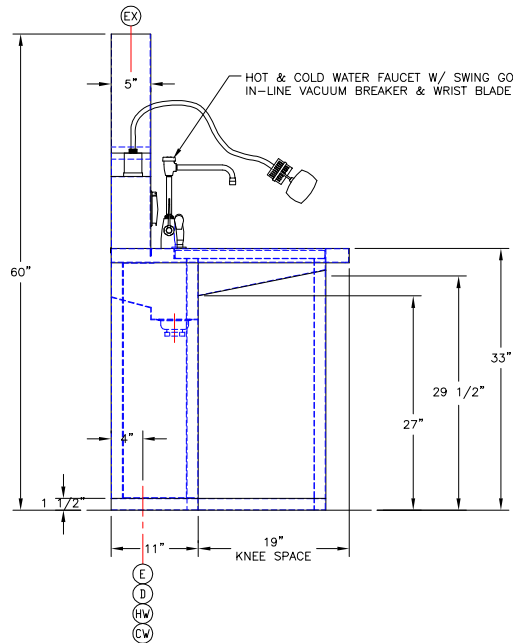
UTILITY REQUIREMENTS

- ⓔ-----ELECTRICAL - 115 V., 1 PH., 60 Hz., 15 AMP
- ⒸⓌ-----COLD WATER - 1/2" I.P.S.
- ⓗⓌ-----HOT WATER - 1/2" I.P.S.
- Ⓓ-----DRAIN - 1-1/2" PVC PIPING
- ⓔⓃ-----EXHAUST - 24.00" x 5.00" OUTSIDE DIM., 500 CFM

APPROVED  
 PRINT NAME:  
 DATE:  
 SIGNATURE:



- (2) REMOVABLE PANELS ON EA. SIDE
- (1) SM. PERFORATED PANEL
- (1) LARGE SOLID PANEL



NECROPSY

		<b>TBJ INC</b>		1671 ORCHARD DRIVE CHAMBERSBURG, PA 17201	
C	REDIGED CTR CAB TO MAKE TYPICAL TO OTHER UNITS	ALE	5-20-09	SCALE 1-1/2"=1'-0"	DRAWN BY ALE
B	UPDATED PER CUSTOMER'S REQUEST	ALE	5-12-09	REF DWG - R08220	DATE 3-18-09
A	REDUCED OVERALL WIDTH 6'1 30' WAS 36"	ALE	3-30-09	36-96-S DOWNDRAFT DISSECTING STATION	
LET	REVISION	BY	DATE	ROUGH-IN ASSY	R09035