

TBJ Backdraft Work Bench Series

Description:

TBJ Backdraft Work Benches are designed to provide a vented work bench for controlling odors, gases and chemical fumes by capturing and exhausting air back and away from the work zone of users. The tabletop mounted backdraft plenum is designed to provide an even backdraft capture velocity to efficiently exhaust odors and fumes and provide a healthier, safer work environment. The backdraft work bench series is designed to provide an economical vented work station for a variety of procedures including animal surgical procedures, small animal necropsies and chemical handling.

Standard Design and Construction:

Standard table widths are available in 30 and 36 inch depths. Custom depths are available as well as custom lengths. Standard lengths and models are as follows:

Length 30	Series –30” wide	36 Series – 36” wide	Misc. Sizes
3-foot	30-36 BD	36-36 BD	28-42 BD
4-foot	30-48 BD	36-48 BD	76-08 BD
5-foot	30-60 BD	36-60 BD	31-48 BD
6-foot	30-72 BD	36-72 BD	32-50 BD
7-foot	30-84 BD	36-84 BD	
8-foot	30-96 BD	36-96 BD	
9-foot	30-108 BD	36-108 BD	
10-foot	30-120 BD	36-120 BD	

Standard Design Features:

All TBJ work bench series tables shall be constructed of type 304 stainless steel with a # 4 finish. All welds shall be ground and polished. The table top shall be constructed of either 16 gauge or 14 gauge stainless steel (varies with sink option) with #4 finish and shall be laterally reinforced for rigidity with stiffening channels.

All work benches shall utilize a heavy duty tubular base frame design with leg supports and cross members made of 1 1/2” square stainless steel tubing with 16 gauge wall thickness. Legs shall be provided with adjustable sanitary feet for leveling.

A plenum with removable exhaust grill constructed of 18 gauge stainless steel shall be located on the back edge of table and extend the entire length of the table. The exhaust grill(s) shall be easily removable via 1/4 turn fasteners to permit periodic cleaning of the plenum assembly if required.

The unit shall be supplied complete and ready for single point connection to utility requirements. Consult the rough-in drawing for a specific model number for more detailed information.

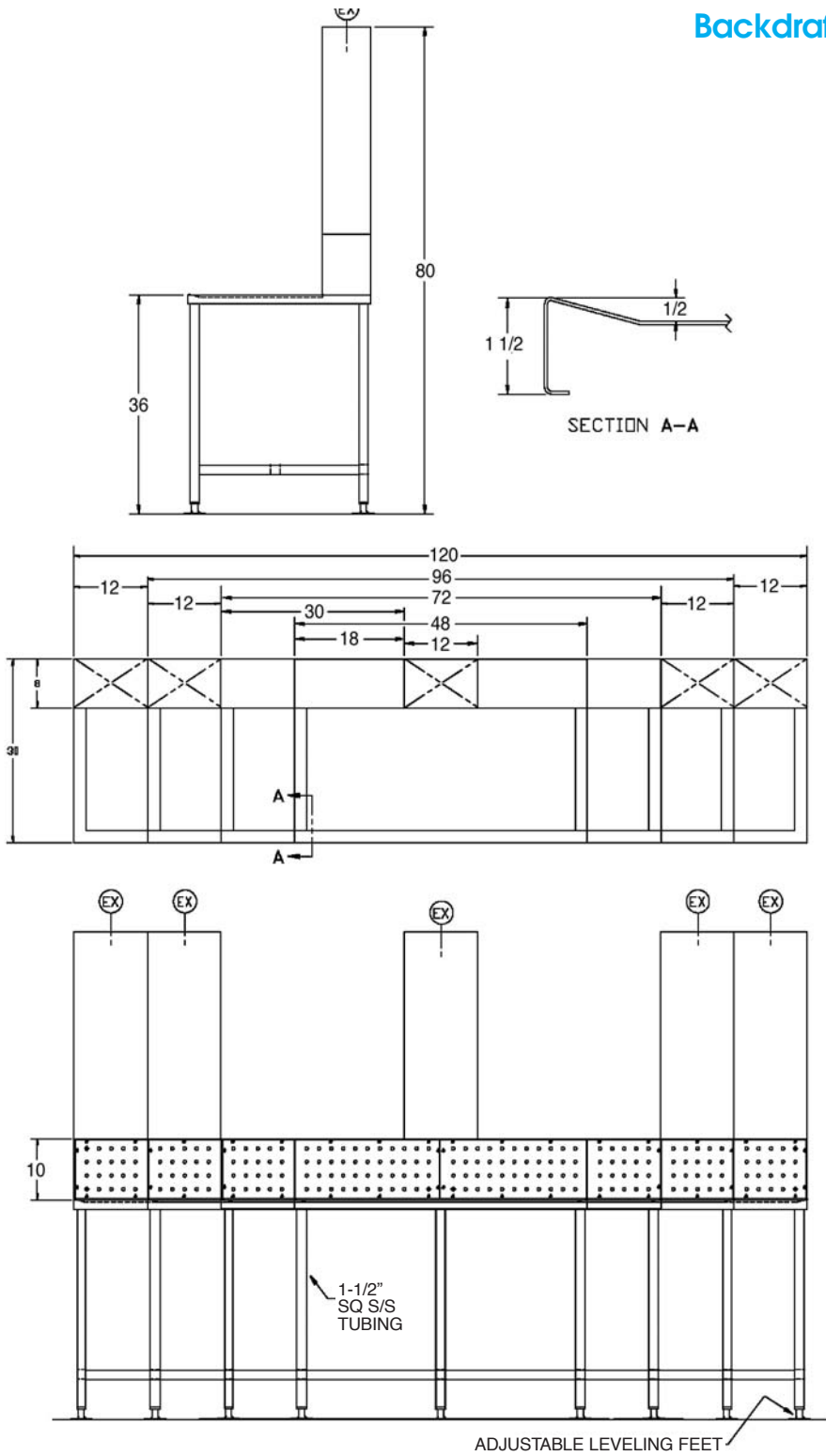
Options and Accessories:

(consult options brochure for more detailed information)

- Integral welded sink
- Hot and cold water faucet
- PVC faucet for treated water
- 1 HP heavy duty disposer
- Stainless steel cup sink with collection carboy
- GFCI receptacle(s)
- Storage drawer(s)
- Spray gun w/recoil hose
- Under counter shelving
- Above work surface shelving
- Deck mounted eyewash
- Push-button height adjustment with 8” travel
- Task lighting
- Under counter stainless steel storage cabinet
- Magnetic tool bar
- Paper towel holder
- Formalin dispensing system pump, faucet and holding carboy
- Removable exhaust riser(s)
- Mobil cart to dock to center sink option
- Deck mounted lab gas outlets
- Data ports
- Snorkel exhaust



**TBJ Backdraft
Work Bench Series**



Specification and drawing are subject to change without notice unless certified by factory.

Utility Requirements

E --- Exhaust - 8" x 12"

Contact TBJ for a detailed rough-in drawing on specific models.

Warranty

All components are warranted to be free from defects in material and workmanship for a period of one (1) year, when used in accordance with manufacturer's instructions.

TBJ
INCORPORATED

1671 Orchard Drive
Chambersburg, PA 17201
Phone: (717) 261-9700
Fax: (717) 261-1730
Email: salestbj@innernet.net
www.tbjinc.com