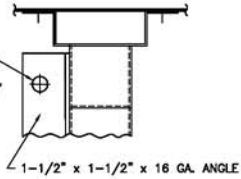


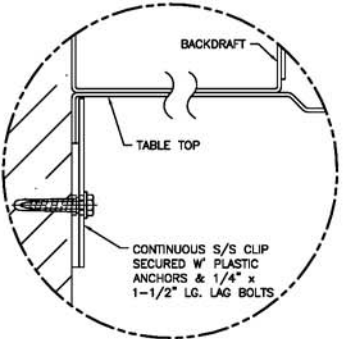
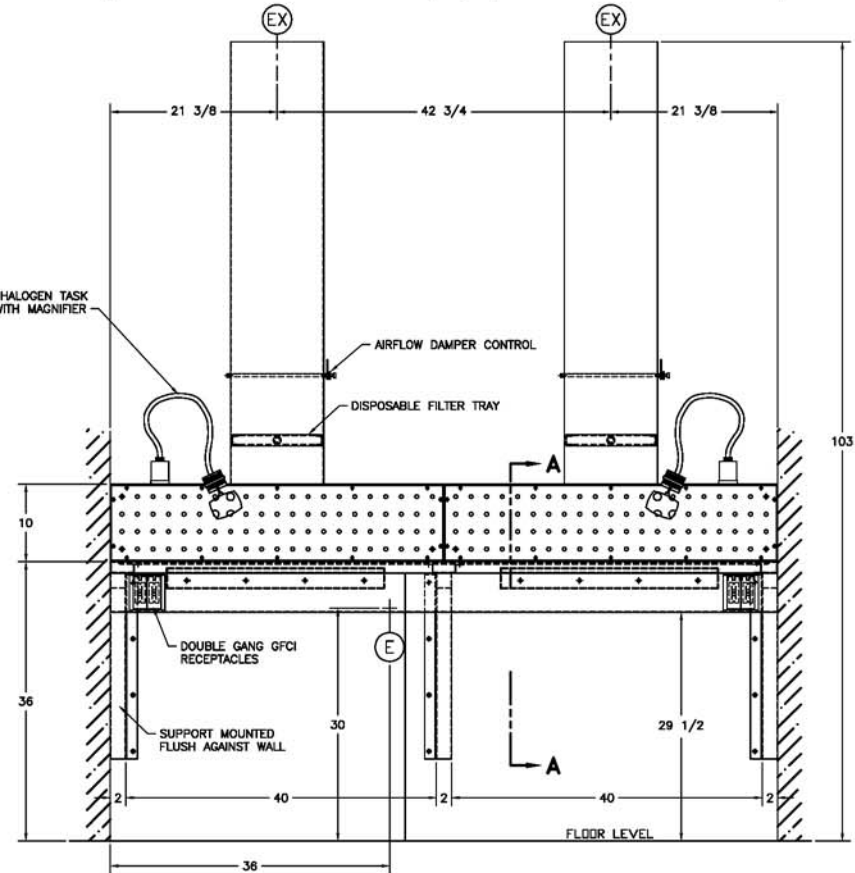
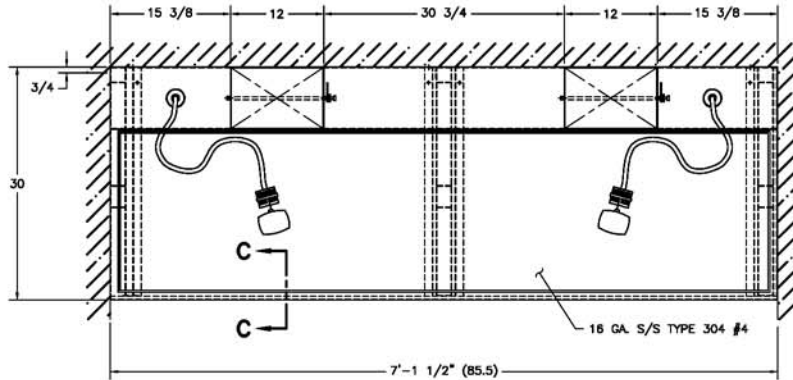
**UTILITY REQUIREMENTS**

- (E) — ELECTRICAL — 115 V., 1 PH., 60 Hz., 15 AMP SERVICE
- (EX) — EXHAUST — (2) @ 8" x 12", 500 CFM

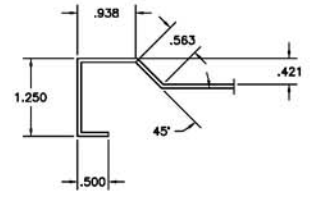
AFTER CLIP IS SECURED THE COUNTER TOP IS HUNG & HOLES ARE MARKED & DRILLED FOR PLASTIC ANCHORS. 5/16" x 1-1/2" LAG BOLTS ARE THEN APPLIED.



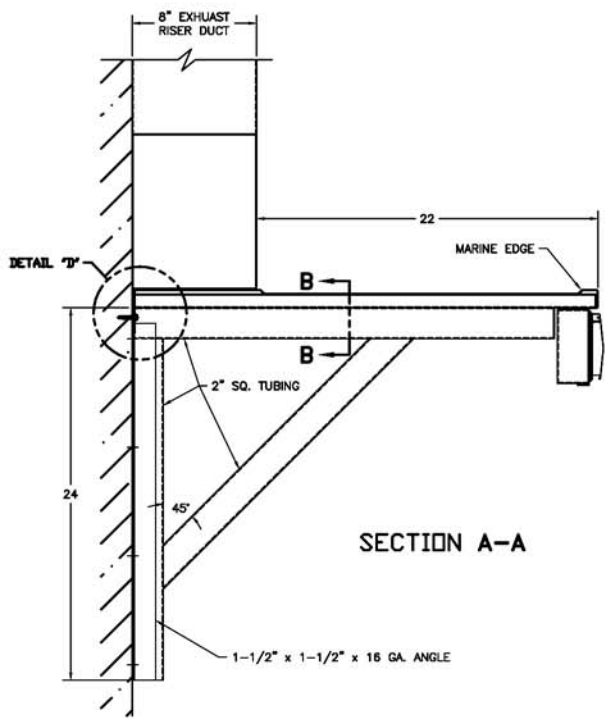
**SECTION B-B**



**DETAIL "D"**



**SECTION C-C**



**SECTION A-A**

This print is the property of TBJ Incorporated. The information contained herein is confidential, it is not transferable. It is furnished with the clear understanding that it is not to be traced, reproduced or used in any process of manufacturing without written permission from the owner and is returnable upon request. Any infringement upon the patent rights shown herein, whether in whole or part, will be severely prosecuted.

A	REVISED	CWF	4-1-03
LET	REVISION	BY	DATE
<b>TBJ INC</b>		1671 ORCHARD DRIVE CHAMBERSBURG, PA 17201	
SCALE	NTS	DRAWN BY	ALE
		DATE	2-25-02
8'-2" BACKDRAFT COUNTER TOP ASSY			
ROUGH-IN ASSY		R02040	