

TBJ Model 30-74-SC DD Downdraft Workstation (ref. dwg. R02146)

Description:

The TBJ Model 30-74-SC DD Downdraft Table is designed to provide a ventilated workstation for animal necropsies, surgeries, perfusions and dissections. The table shall function to pull air, odors, vapors and aerosols down and away from the face of personnel via a self-contained blower and filter system. Chemicals such as formalin, alcohol and xylene are controlled and can be kept below OSHA permissible exposure limits thus providing a healthier, safer work environment.

Standard Design and Construction:

Overall table dimensions shall be 74" long x 30" wide. The work surface height shall be 37" high. The vented work surface area shall be 33 1/2" long x 26" wide.

The table shall utilize Type 316 stainless steel construction for all welded-wetted sink and drain pan components. All welds shall be heliarc. All exposed welds shall be ground to a seamless polished finish.

The table shall utilize 18 gauge T316 stainless steel removable perforated work surface panels. The panels shall be recessed 1/4" below the table perimeter to prevent fluids from escaping the work area.

The table shall utilize stainless steel, a precision engineered removable internal baffling system to create a uniform downdraft air velocity across the entire perforated work surface.

A self-contained blower/filter module shall provide downdraft ventilation and filtration and recirculate air back into the room. The module shall include a 1" pre-filter, a BI-12D media module with Bio-Sorb 200 media (or HEPA filter), a 1" final filter and a 1/2 HP direct drive blower. An illuminated on/off switch, filter indicator light is also included.

The table drain pan shall be sloped to one end, under the exhaust plenum, for complete drainage and shall be designed for ease in cleanability to prevent build up of debris and bacteria.

The table shall utilize a control valve, vacuum breaker and (2) flush down manifolds which horizontally run the length of each side of the table, below the work surface to rinse away fluids and debris.

The table shall include an easily removable stainless steel sink with large radius corners to allow for ease of disinfection of entire table. The sink shall be on the non-exhaust end so as not to obstruct the air flow.

The table shall be equipped with a chrome plated hot and cold laboratory faucet with vacuum breaker, swing spout and clear phenolic finish.

The table shall include a hand spray gun assembly with 8 ft. recoil hose for table clean-up.

The table shall utilize a double pedestal design which provides knee and leg room beneath the table, thus allowing the user the option of stool height seating or standing during procedures.

The table shall be factory pre-plumbed and pre-wired ready for single point connection of utilities on site.

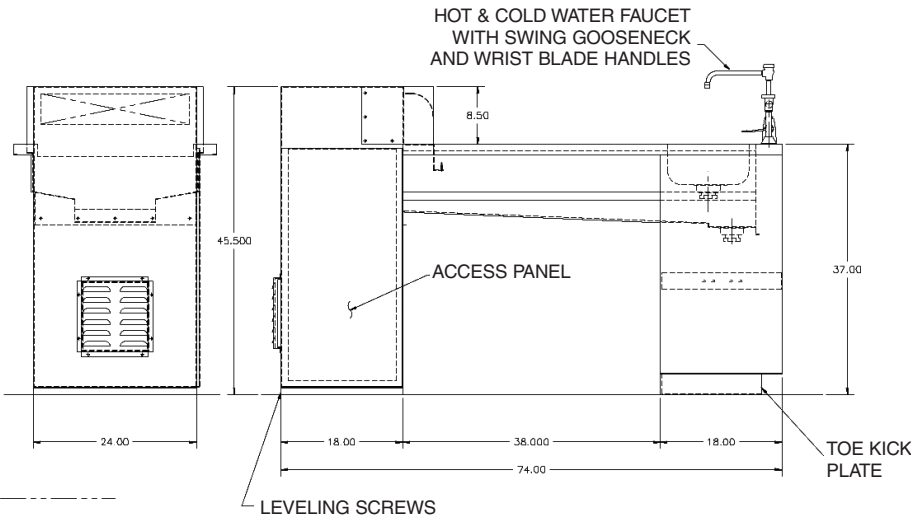
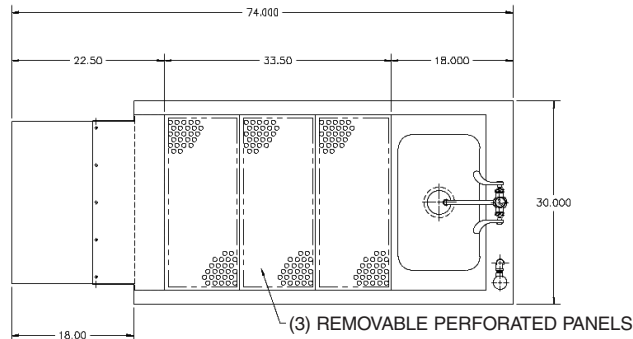
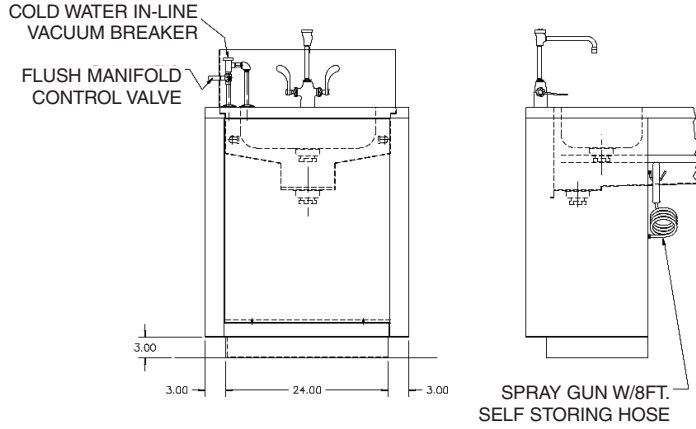
The table shall be manufactured in the United States and utilize American made components where applicable.

Options and Accessories:

(consult options brochure for more detailed information)

- HEPA filter in lieu of media filter
- Thermoplastic cutting board, 1/2" x 12" x 18"
- Ground fault circuit interrupter (GFCI) receptacle
- 1 HP heavy duty disposer
- Hydro-Aspirator system
- Eye wash hose/spray assembly
- Hand spray assembly with recoil hose
- Vacuum connection fitting
- Air connection fitting
- Gas connection fitting
- Distilled water connection fitting
- Detachable side shelf
- Detachable sliding instrument tray
- Adjustable arm swivel type surgical light
- Computer data ports
- Work surface dividers

**TBJ Model 30-74-SC DD
Downdraft Workstation
(ref. dwg. R02146)**



Specification and drawing are subject to change without notice unless certified by factory.

Utility Requirements

- E --- Electrical - 115V., 1 PH., 60 Hz., 7.3 AMP
- CW --- Cold Water - 3/4" I.P.S.
- HW --- Hot Water - 3/4" I.P.S.
- D --- Drain - 2" NPT FLOOR DRAIN MIN.
- EX --- Exhaust - 10" X 9-1/2" OUTSIDE DIMS.

Warranty

All components are warranted to be free from defects in material and workmanship for a period of one (1) year, when used in accordance with manufacturer's instructions.

TBJ
INCORPORATED

1671 Orchard Drive
Chambersburg, PA 17201
Phone: (717) 261-9700
Fax: (717) 261-1730
Email: salesbj@innernet.net
www.tbjinc.com