

UTILITY REQUIREMENTS

- (E) — ELECTRICAL - 115V., 1 PH., 60 Hz., 20 AMPS SERVICE
- (HW) — HOT WATER - 1/2" I.P.S. (STUB THRU WALL)
- (CW) — COLD WATER - 3/4" I.P.S. (STUB THRU WALL)
- (D) — DRAIN - 1 1/2" I.P.S.
- (EX) — EXHAUST - 6.00" X 30.00" CONNECTION

APPROVED

PRINT NAME:

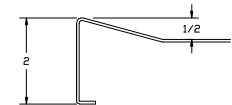
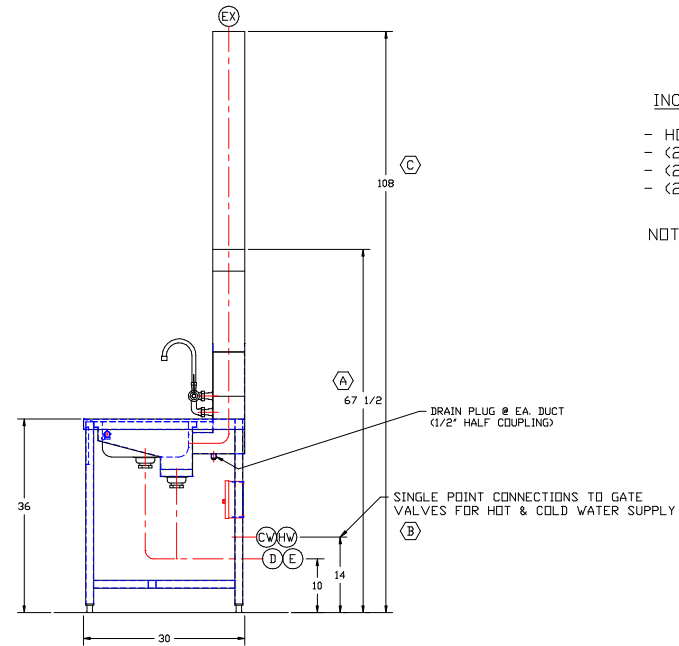
DATE:

SIGNATURE:

INCLUDED FEATURES:

- HOT & COLD WATER FAUCET
- (2) SPRAY GUNS W/ RECOIL HOSE
- (2) GFCI RECEPTACLES
- (2) TASK LAMP WITH MAGNIFIER

NOTE: ALL STAINLESS STEEL TO BE ASTM A240 TYPE 316



SECTION A-A

				TEJ INC		1671 ORCHARD DRIVE CHAMBERSBURG, PA 17201	
C	ADDED DUCT EXTENSION	JEG	7-23-04	SCALE 1"=1'-0"		DRAWN BY	CWF
B	LOWERED THE HEIGHT ON ALL UTILITY CONNECTIONS	ALE	3-12-04	REF DWG - R01101		DATE	11-27-02
A	ADDED DIM. FOR DUCT CONNECTION HEIGHT	ALE	9-24-03	30-72 DD WORKSTATION			
LET	REVISION	BY	DATE				
				ROUGH-IN ASSEMBLY		R02231	