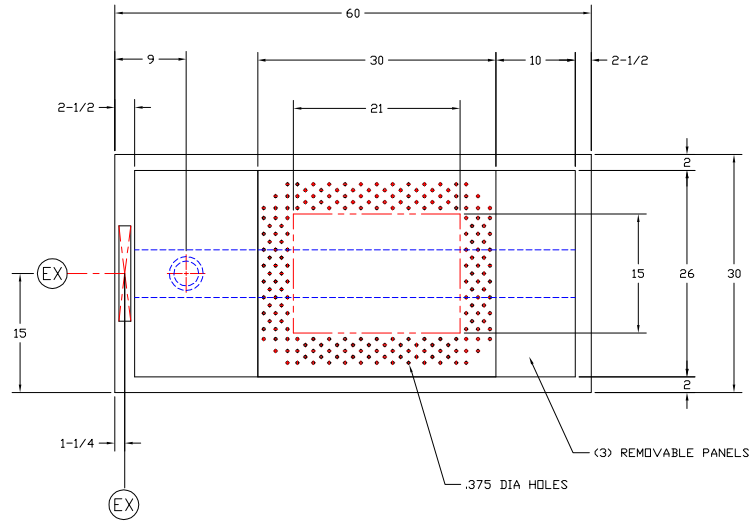


APPROVED

PRINT NAME:

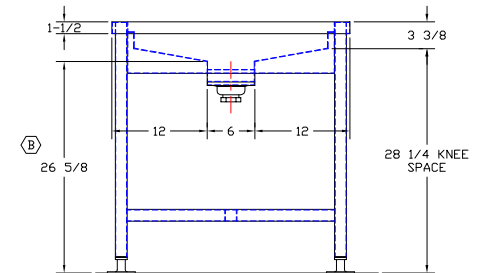
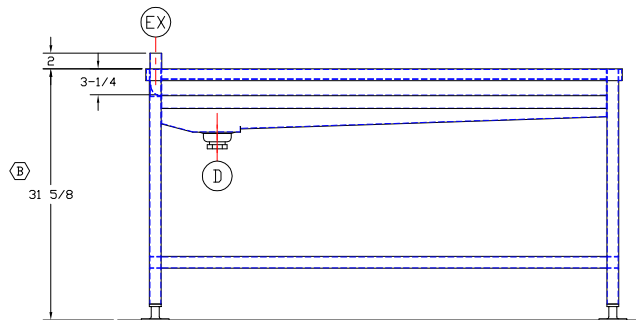
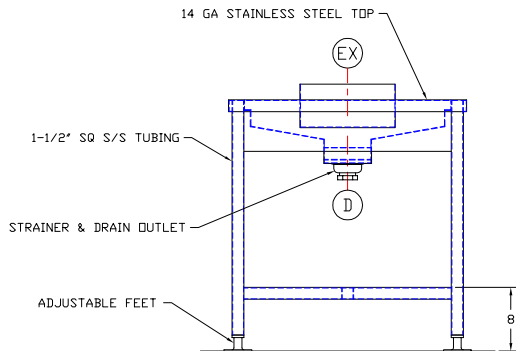
DATE:

SIGNATURE:



UTILITY REQUIREMENTS

- (D) — DRAIN - 1-1/2" I.P.S.
- (EX) — EXHAUST - 1-1/2" x 12" - 100 CFM



This print is the property of TBJ Incorporated. The information contained herein is confidential, it is not transferable. It is furnished with the clear understanding that it is not to be traced, reproduced or used in any other process of manufacturing without written permission from the owner and is returnable upon request.

				<b>TBJ INC</b>		1671 ORCHARD DRIVE CHAMBERSBURG, PA 17201	
		SCALE - NTS		DRAWN BY - CWF			
		REF DWG - R00014		DATE - 10-22-02			
B	REDUCED WORK HGT. TO LOWER HGT. FOR KNEE SPACE	ALE	11-7-02	MODEL 30-60 DOWNDRAFT TABLE			
A	UPDATED TO STANDARD PAN DESIGN	ALE	10-24-02				
LET	REVISION	BY	DATE	ROUGH-IN ASSY		R02216	