

UTILITY REQUIREMENTS

- (E) — ELECTRICAL — 115 V., 1 PH., 60 Hz., 15 AMP
- (EX) — EXHAUST — SELF CONTAINED W/ BLENDED CARBON FILTER FOR ANESTHESIA GASES AND FORMALDEHYDE SOLUTION

APPROVED

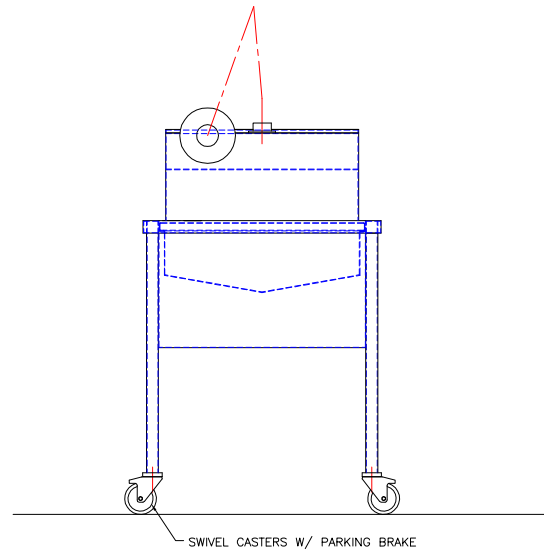
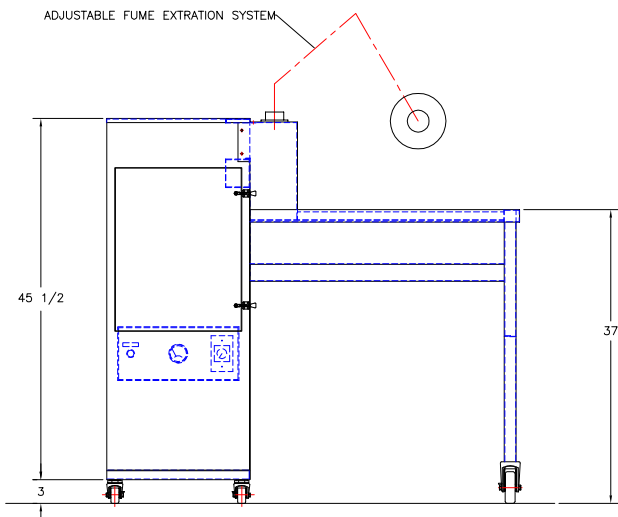
PRINT NAME:

DATE:

SIGNATURE:

THE SELF-CONTAINED BLOWER AND FILTER HOUSING CONTAIN THE FOLLOWING FEATURES:

- (1) PREFILTER — SIZE 24" x 12" x 1"
- (1) ABSORBER FILTER — SIZE 24" x 12" x 11-1/2"
- (1) POST FILTER — SIZE 24" x 12" x 1"
- DIRECT DRIVE BLOWER — CONTINENTAL FAN MTG. INC. TNK MOTORIZED IMPELLER, MODEL RO-TMK-225-2-11
- MINI PHOTOHELIC GAUGE
- VARIABLE MOTOR SPEED CONTROL TO INCREASE/DECREASE AIRFLOW AS DESIRED
- DIRTY FILTER INDICATOR LIGHT
- ON/OFF SWITCH
- DIFFERENTIAL PRESSURE SWITCH



This print is the property of TBJ Incorporated. The information contained herein is confidential, it is not transferable. It is furnished with the clear understanding that it is not to be traced, reproduced or used in any other process of manufacturing without written permission from the owner and is returnable upon request.

LET.	REVISION	BY	DATE
TBJ INC			
		1671 ORCHARD DRIVE CHAMBERSBURG, PA 17201	
SCALE N.T.S.	DRAWN BY ALE		DATE 1-10-07
REF DWG - R06105	MODEL 30-52 DD-MNT SC DOWNDRAFT SURGERY TABLE		
ROUGH-IN ASSEMBLY		R07006	